

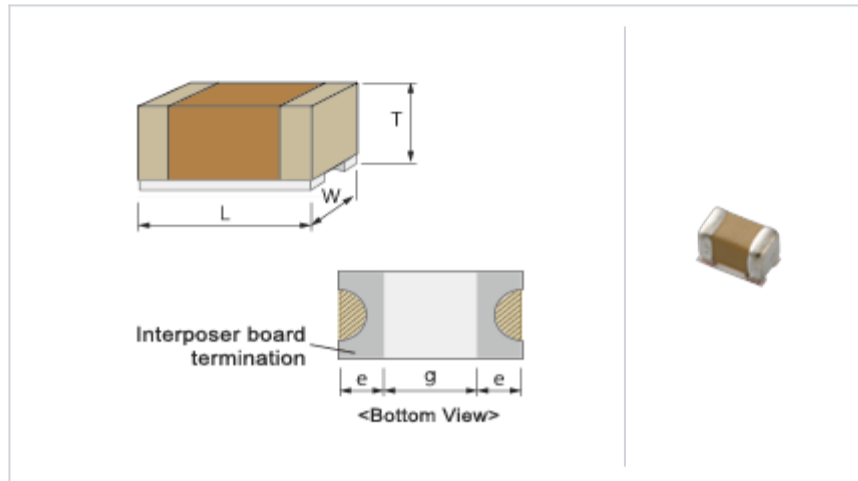
# ZRB15XR60J475ME01#

"#" indicates a package specification code.



< List of part numbers with package codes >  
ZRB15XR60J475ME01D , ZRB15XR60J475ME01J

## Shape



L size	1.0 ± 0.15mm
W size	0.5 ± 0.15mm
T size	0.65 ± 0.15mm
External terminal width e	0.1 to 0.4mm
Distance between external terminals g	0.3mm min.
Size code in inch(mm)	0402 (1005)

## References

Packaging	Specifications	Minimum quantity
D	180mm Paper taping	8000
J	330mm Paper taping	30000

Mass (typ.)	
1 piece	1.9mg

## Specifications

Capacitance	4.7μF ± 20%
Rated voltage	6.3Vdc
Temperature characteristics (complied standard)	X5R(EIA)
Capacitance change rate	± 15.0%
Temperature range of temperature characteristics	-55 to 85
Operating temperature range	-55 to 85

### ⚠ Attention

- 1.This datasheet is downloaded from the website of Murata Manufacturing Co., Ltd. Therefore, it ' s specifications are subject to change or our products in it may be discontinued without advance notice. Please check with our sales representatives or product engineers before ordering.
- 2.This datasheet has only typical specifications because there is no space for detailed specifications. Therefore, please review our product specifications or consult the approval sheet for product specifications before ordering.