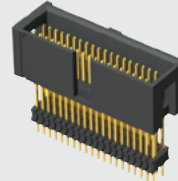
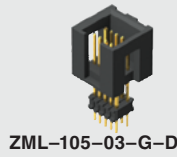
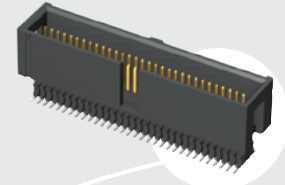


FLEX STACK



ZML-132-54-L-D-650-SM



(1.27 mm) .050"

ZML SERIES

SHROUDED ELEVATED STACKER

SPECIFICATIONS

For complete specifications and recommended PCB layouts see www.samtec.com?ZML

Insulator Material:
Black LCP

Terminal Material:
Phosphor Bronze

Plating:
Au or Sn over
50 μ" (1.27 μm) Ni

Operating Temp Range:
-55 °C to +105 °C with Tin;
-55 °C to +125 °C with Gold

RoHS Compliant:
Yes

PROCESSING

Lead-Free Solderable:
Yes

SMT Lead Coplanarity:
(0.10 mm) .004" max (05-20)
(0.15 mm) .006" max (32)*
*(.004" stencil solution may be available; contact IPG@samtec.com)

RECOGNITIONS

For complete scope of recognitions see www.samtec.com/quality

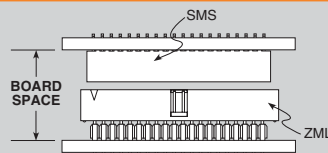


ALSO AVAILABLE (MOQ Required)

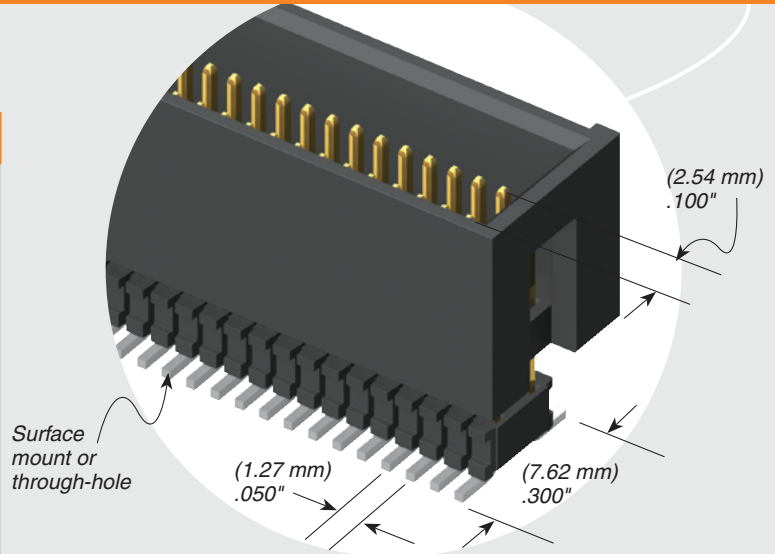
- Other sizes
- Other platings

Mates with:
SMS, RSM

APPLICATIONS



APPLICATIONS	BOARD SPACE
ZML Style -01 mated with SMS	(13.72) .540
ZML Style -02 mated with SMS	(15.11) .595
ZML Style -03 mated with SMS	(17.53) .690
ZML Style -04 mated with SMS	(20.57) .810



ZML

1

NO. PINS PER ROW

05, 08, 10, 20, 32
(Standard sizes)

LEAD STYLE

Specify LEAD STYLE from chart

PLATING OPTION

-L
= 10 μ" (0.25 μm)
Gold on post, Matte Tin on tail

-G
= 10 μ" (0.25 μm)
Gold on post, Gold flash on tail

D

(Leave blank for Through-hole)

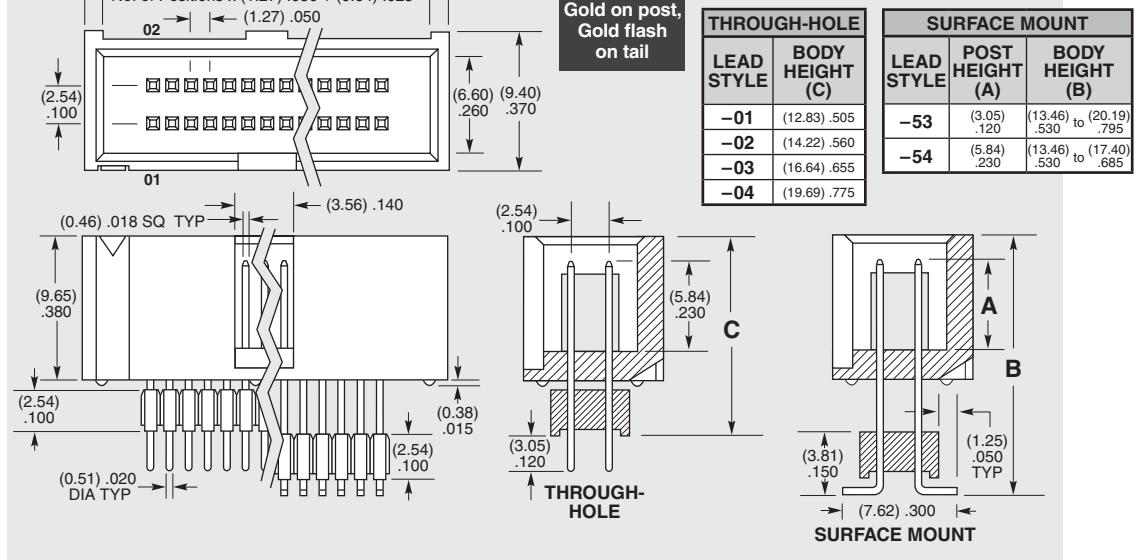
- "XXX"
= -SM Body Height (Specify board space "B" in inches from lead style charts.)

BODY HEIGHT

TAIL STYLE

(Leave blank for Through-hole)

-SM
= Surface Mount



Notes:
For added mechanical stability, Samtec recommends mechanical board spacers be used in applications with gold or selective gold plated connectors. Contact ipg@samtec.com for more information.
This Series is non-standard, non-returnable.

Due to technical progress, all designs, specifications and components are subject to change without notice.