

Delay On Make

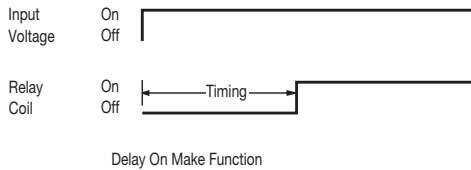
Z1 Series

FEATURES

- 100% functionally tested
- Digital timing circuit
- Time delays to 5 minutes
- ±1% repeatability
- Fast-on terminals for quick installation
- Low cost, open board construction
- Fiberglass reinforced circuit board
- File #E59090

Operating Logic: Upon application of voltage to the input terminals, the time delay cycle starts. At the end of the preset time delay, the relay coil is energized and the contacts transfer. Reset is accomplished by the removal of input voltage.

LOGIC FUNCTION DIAGRAM



SPECIFICATIONS

TIME DELAY

Adjustment: Trimpot, factory fixed on special order (min. order required)
Range: 100 ms to 5 minutes in 4 ranges (other ranges available on special order)
Repeatability: ±1% at constant temperature
Accuracy: Maximum -0%, +10%; Minimum time +0%, -50%
Reset Time: 50 ms max. (25 ms typical)

INPUT

Operating Voltage: 24, 120 VAC; 24 VDC ±10% (DC models have reverse polarity protection; unfiltered input voltage to them must be full-wave rectified)
Power Consumption: 3 VA max.
Frequency: 50/60 Hz

OUTPUT

Type: Relay contacts, DPDT (2 form C)
Rating: 10 A max. resistive at 240 VAC; 100 mA at 5 VDC min. load current
Life:
 Mechanical: 10,000,000 operations
 Full Load: 500,000 operations

PROTECTION

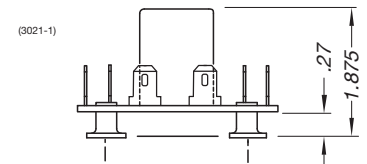
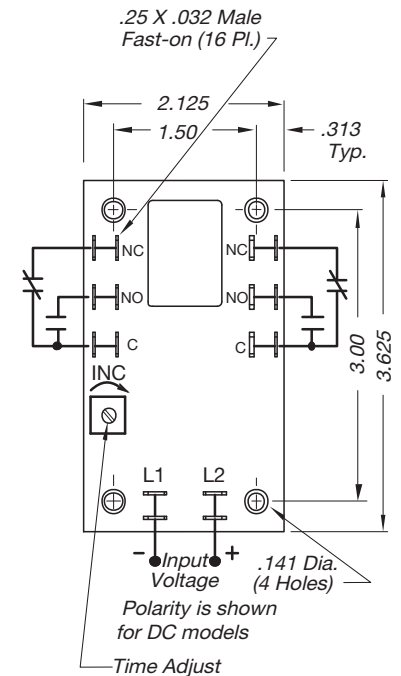
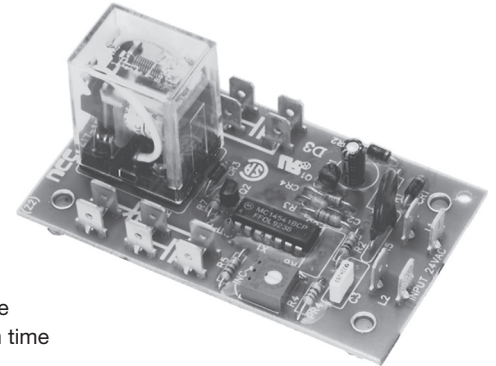
Transient Voltage: 24 V timers are protected by an 8.8 joule metal oxide varistor; 120 V timers are protected by a 30 joule metal oxide varistor
Dielectric Breakdown: 1500 VAC, RMS min. at 60 Hz between input and outputs and between outputs

MECHANICAL

Termination: .25" x .032" male fast-on terminals
Mounting: .25" standoffs, #6 screw

ENVIRONMENTAL

Storage Temperature: -23°C to 70°C
Operating Temperature: -23°C to 55°C



ORDERING INFORMATION

TIME RANGE	24 VAC	120 VAC
.1 to 1 sec.	—	Z1T-00010-061
.6 to 60 sec.	Z1T-00060-067	Z1T-00060-061
1.8 to 180 sec.	Z1T-00180-067	—
3 to 300 sec.	Z1T-00300-067	Z1T-00300-061

Consult factory for any special requirements not listed in catalog (minimum order requirement may apply).