

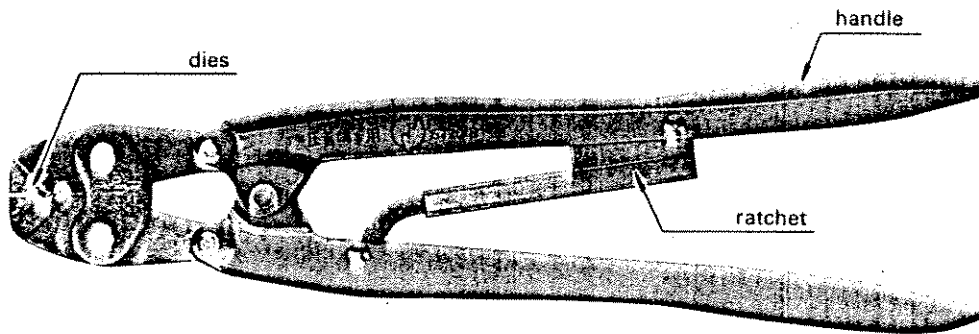
OPERATION MANUAL

FOR YHT-2622, YHT-2210



We link today and tomorrow

(HAND CRIMP TOOL FOR NON-INSULATED TERMINALS/SPLICES)

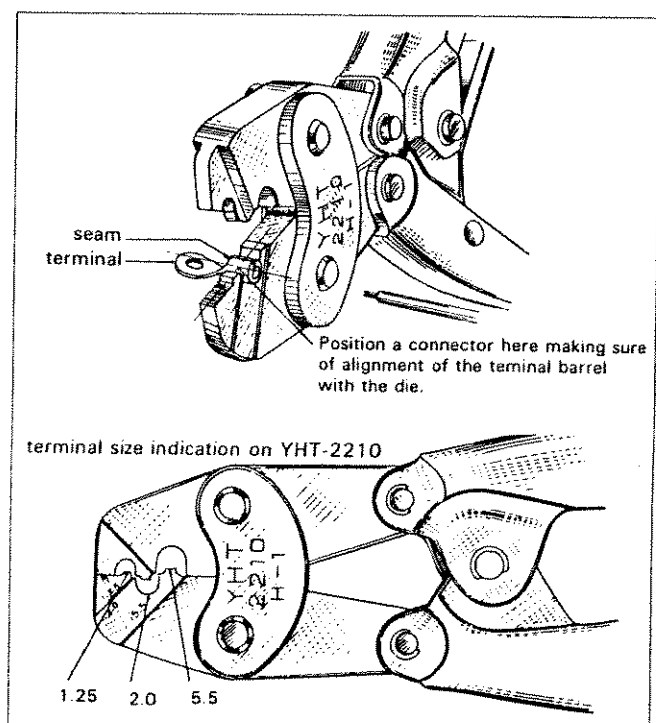


Proper Tool Selection Chart

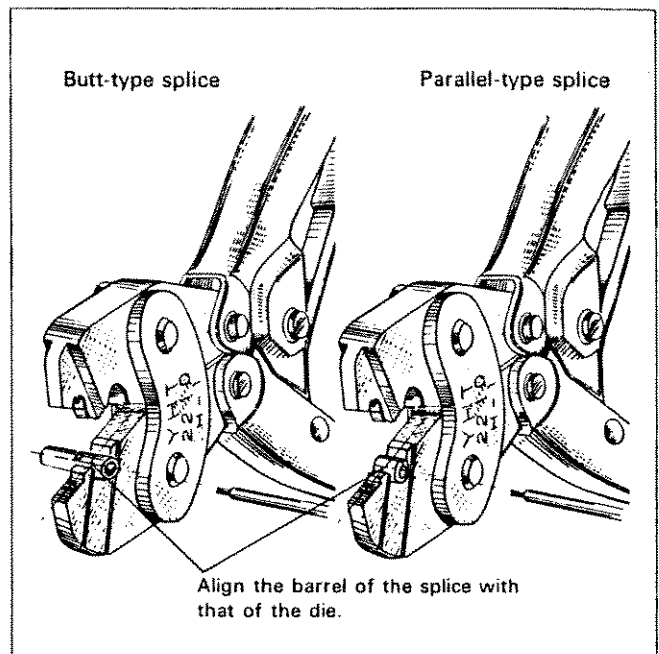
Tool Model No.	Applicable terminal/splice		Applicable Wire Range	
	non-Insulated terminal	Non-Insulated Splice (Butt-type, parallel-type)	mm ²	AWG #
YHT-2622	0.5	—	0.2 ~0.5	24~20
YHT-2210	1.25	1.25	0.25~1.65	23~15
	2	2	1.04~2.63	17~13
	5.5	5.5	2.63~6.64	13~9

Crimp Operation

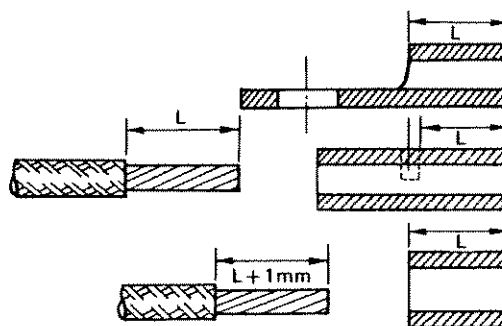
- (1) Squeeze handles until the ratchet releases and handles open.
- (2) Position a connector in the die, placing the silver brazed seam of the terminal on the center of the \square die, (punch).
Each YHT-2210 tool has three crimping sections. You can find which section should be used for each terminal by the stamps on the dies.
- (3) Squeeze handles gently until the connector is held by the dies. Do not deform the terminal at this stage.



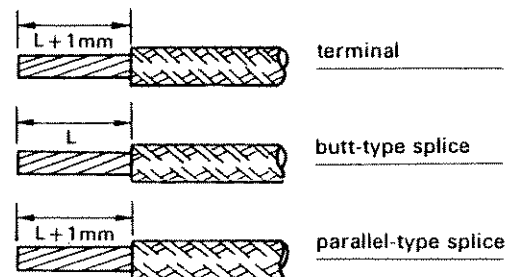
- (4) Now insert stripped wire(s) completely into the barrel of the terminal.
- (5) Squeeze handles completely, holding the wire by hand in proper position, until the ratchet releases and handles open.
- (6) Remove the crimped terminal and inspect it. When crimping a butt-type splice or a parallel-type splice, follow the same procedure as above after aligning the center of the barrel of the splice with that of the dies.



Note: Wire insulation strip lengths



Refer to catalog for dimension L of barrel length.



Suggestions

- a Make sure the correct tool and connector are used for each wire.
- b The ratchet mechanism does not allow handles to open until crimping is completed. Do not open handles by force.
- c Do not abuse the tools or use in a manner not intended. (ex. as hammer or pliers)
- d Periodically oil the moving parts and pins. If the tool is not to be used for an extended period of time, store it in a cloth or paper after supplying oil to all parts of the tool.
- e Do not use the tool with rust, damage or foreign particles on the dies.
- f Do not use the tool if broken or damaged in any way. Return to JST or the nearest representative. Do not attempt to repair or adjust.
- g Before operation, the following points are recommended to check:—
 - Dies are clean without damage, rust or dirt.
 - Ratchet mechanism functions well.
 - Terminals are properly crimped. (Try a couple of samples and check the appearance and wire tensile strength.)