



Features

- Y class rating up to 0.1μF not readily available elsewhere.
- IEC65 withstand voltage of 2,000Vac for severe applications.

Applications

- Designed mainly for suppressing noise occurring in applications.

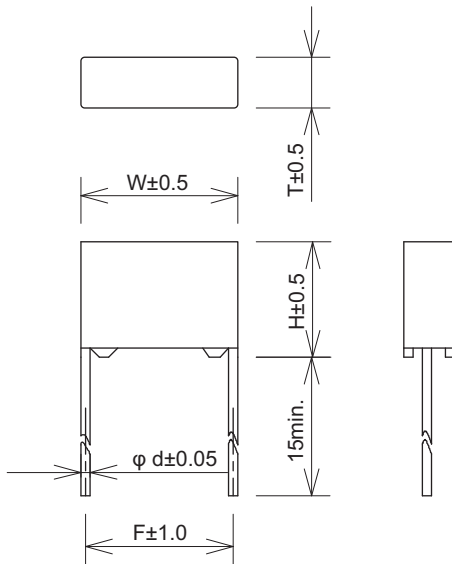


Safety Standard		File No.
UL	:UL60384-14	E47474
cUL	:CSA E60384-14	E47474
CSA	:CSA E60384-14	LR37404
ENEC	:IEC/EN 60384-14	40003928

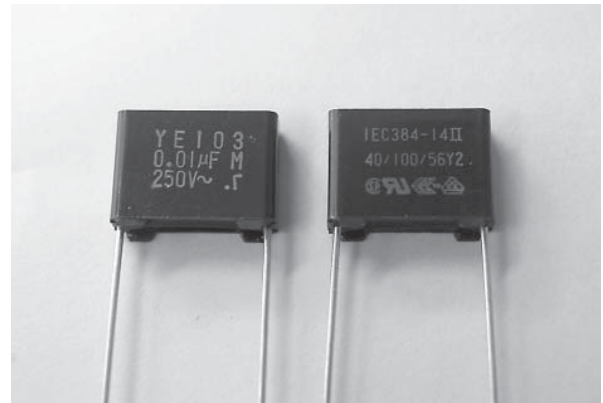
The "ENEC" mark is a common European product certification mark based on testing to harmonised European safety standard. The mark with #10 stands for VDE.



• *Dimensions*



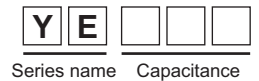
Unit: mm



• *Circuit*



• *Model numbering system*



Electrical Specifications

Rated Voltage **250Vac**

Safety Standard	Class	Model Number	Capacitance μF±20%	Dimensions					Dissipation Factor	Test Voltage	Insulation Resistance
				W	H	T	F	d			
	Y2	YE102	0.001	13.0	10.0	4.0	11.0	0.6	0.01max. (at 1kHz)	Line to Line 2,000Vac 50/60Hz 60sec	Line to Line 30,000MΩmin
		YE152	0.0015								
		YE222	0.0022								
		YE332	0.0033								
		YE472	0.0047	17.0	12.0	5.0	15.0	0.8			
		YE682	0.0068								
		YE103	0.01								
		YE153	0.015								
		YE223	0.022	25.0	16.0	6.5	22.5	0.8			
		YE333	0.033								
		YE473	0.047								
		YE683	0.068								
		YE104	0.1	30.0	22.0	11.0	27.5				

Operating Temperature: -40~+100°C