

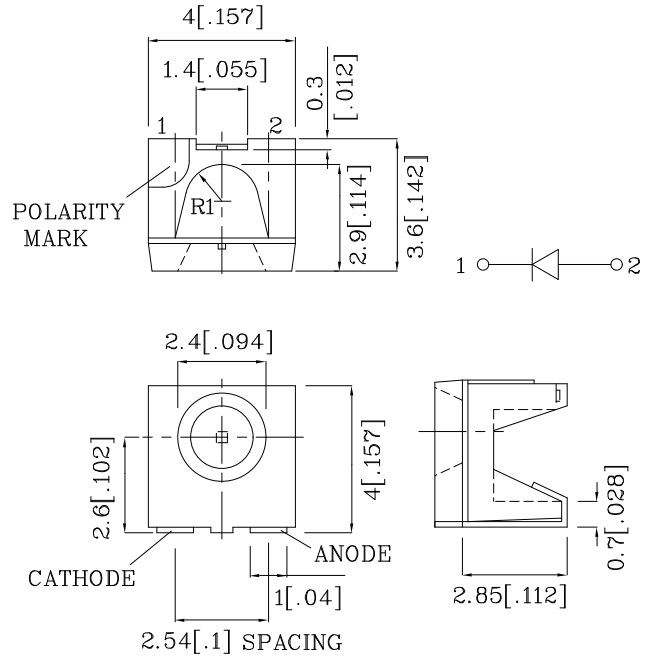
**Features**

- SINGLE COLOR.
- SUITABLE FOR ALL SMT ASSEMBLY AND SOLDER PROCESS.
- AVAILABLE ON TAPE AND REEL.
- IDEAL FOR BACKLIGHTING.
- PACKAGE : 500PCS / REEL.
- MOISTURE SENSITIVITY LEVEL : LEVEL 4.
- RoHS COMPLIANT.



Notes:

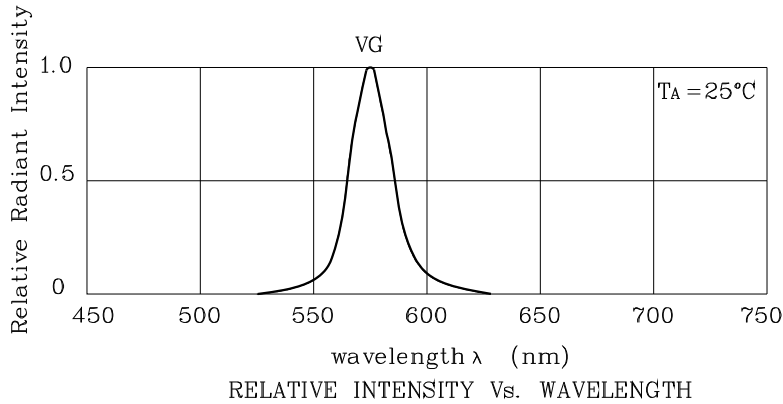
1. All dimensions are in millimeters (inches).
2. Tolerance is  $\pm 0.25(0.01)$ " unless otherwise noted.
- 3.Specifications are subject to change without notice.



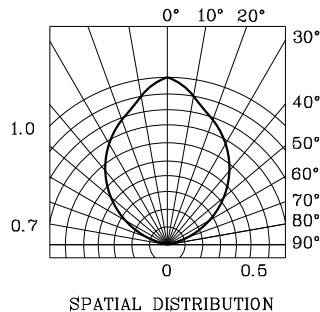
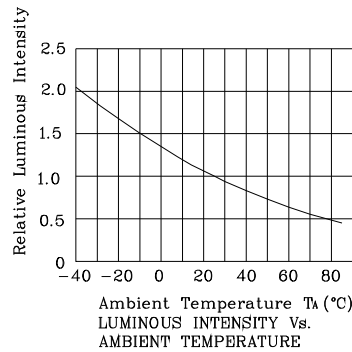
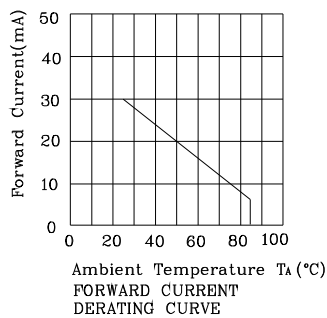
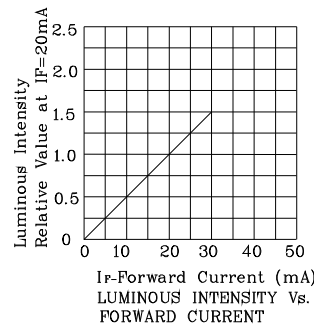
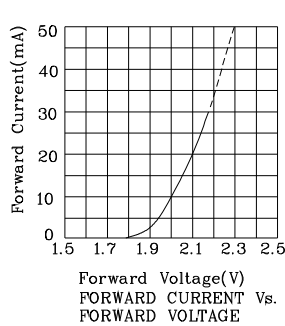
| Absolute Maximum Ratings<br>(TA=25°C)                          |      | VG<br>(InGaAlP) | Unit |
|----------------------------------------------------------------|------|-----------------|------|
| Reverse Voltage                                                | VR   | 5               | V    |
| Forward Current                                                | IF   | 30              | mA   |
| Forward Current (peak)<br>1/10 Duty Cycle<br>0.1ms Pulse Width | iFS  | 150             | mA   |
| Power Dissipation                                              | PT   | 75              | mW   |
| Operating Temperature                                          | TA   | -40 ~ +85       | °C   |
| Storage Temperature                                            | Tstg | -40 ~ +85       |      |

| Operating Characteristics<br>(TA=25°C)                          |                 | VG<br>(InGaAlP) | Unit |
|-----------------------------------------------------------------|-----------------|-----------------|------|
| Forward Voltage (Typ.)<br>(IF=20mA)                             | VF              | 2.1             | V    |
| Forward Voltage (Max.)<br>(IF=20mA)                             | VF              | 2.5             | V    |
| Reverse Current (Max.)<br>(VR=5V)                               | IR              | 10              | uA   |
| Wavelength of Peak<br>Emission (Typ.)<br>(IF=20mA)              | $\lambda P$     | 574             | nm   |
| Wavelength of Dominant<br>Emission (Typ.)<br>(IF=20mA)          | $\lambda D$     | 570             | nm   |
| Spectral Line Full Width<br>At Half-Maximum (Typ.)<br>(IF=20mA) | $\Delta\lambda$ | 20              | nm   |
| Capacitance (Typ.)<br>(VF=0V, f=1MHz)                           | C               | 15              | pF   |

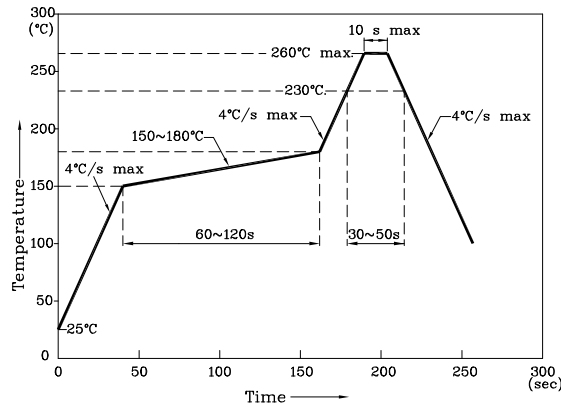
| Part Number | Emitting Color | Emitting Material | Lens-color  | Luminous Intensity<br>(IF=20mA)<br>mcd |      | Wavelength<br>nm<br>$\lambda P$ | Viewing Angle<br>2 $\theta$ 1/2 |
|-------------|----------------|-------------------|-------------|----------------------------------------|------|---------------------------------|---------------------------------|
|             |                |                   |             | min.                                   | typ. |                                 |                                 |
| XZVG67W     | Green          | InGaAlP           | Water Clear | 36                                     | 69   | 574                             | 90°                             |



❖ VG



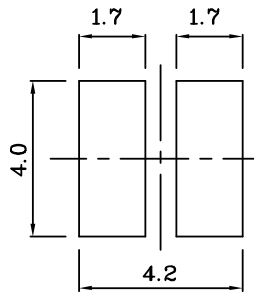
Reflow Soldering Profile For Lead-free SMT Process.



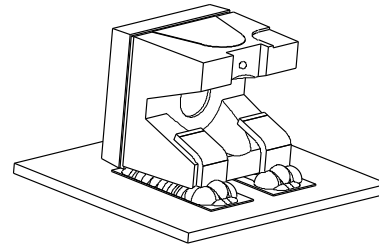
NOTES:

1. Maximum soldering temperature should not exceed 260°C.
2. Recommended reflow temperature: 145°C-260°C.
3. Do not put stress to the epoxy resin during high temperatures conditions.

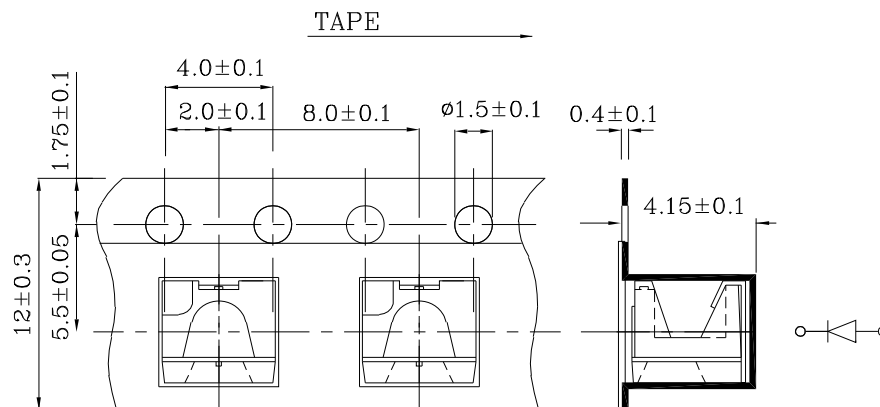
❖ **Recommended Soldering Pattern**  
(Units : mm;Tolerance:± 0.1)



❖ **The device has a single mounting surface. The device must be mounted according to the specifications.**



❖ **Tape Specification (Units : mm)**



Remarks:

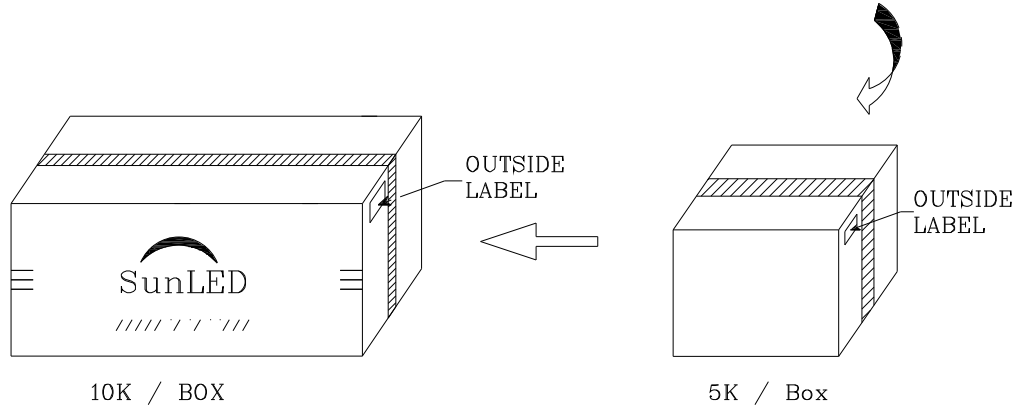
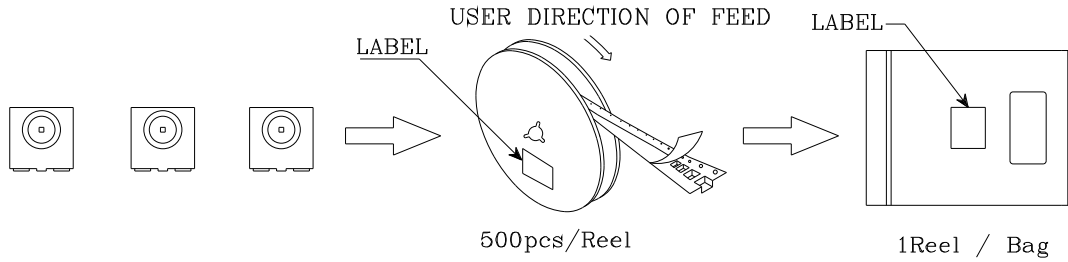

If special sorting is required (e.g. binning based on forward voltage, luminous intensity / luminous flux or wavelength), the typical accuracy of the sorting process is as follows:

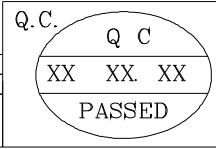

1. Wavelength: +/-1nm
2. Luminous Intensity / Luminous Flux: +/-15%
3. Forward Voltage: +/-0.1V

Note: Accuracy may depend on the sorting parameters.

**PACKING & LABEL SPECIFICATIONS**

**XZVG67W**

|                                                                                                                  |           |
|------------------------------------------------------------------------------------------------------------------|-----------|
|                              |           |
| P/NO : XZxx67x                                                                                                   |           |
| QTY : 500 pcs                                                                                                    | CODE: XXX |
| S/N : XX                                                                                                         |           |
| LOT NO:                                                                                                          |           |
| <br>XXXXXXXXXXXXXXXXXXXXXXXX |           |
| RoHS Compliant                                                                                                   |           |