

PRELIMINARY SPEC

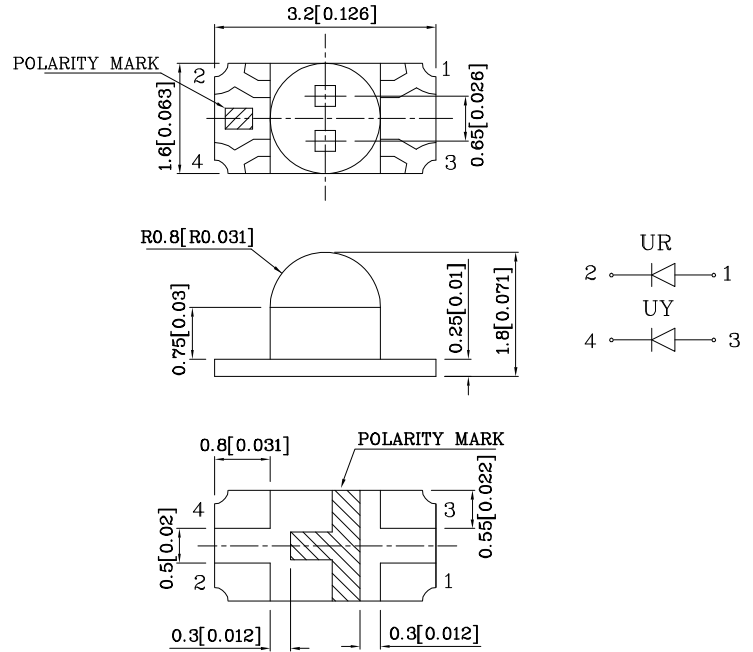
**Features**

- 3.2mmx1.6mm SMT LED, 1.8mm THICKNESS.
- LOW POWER CONSUMPTION.
- WIDE VIEWING ANGLE.
- IDEAL FOR BACKLIGHT AND INDICATOR.
- VARIOUS COLORS AND LENS TYPES AVAILABLE.
- PACKAGE : 2000PCS / REEL.
- MOISTURE SENSITIVITY LEVEL : LEVEL 3.
- RoHS COMPLIANT.



Notes:

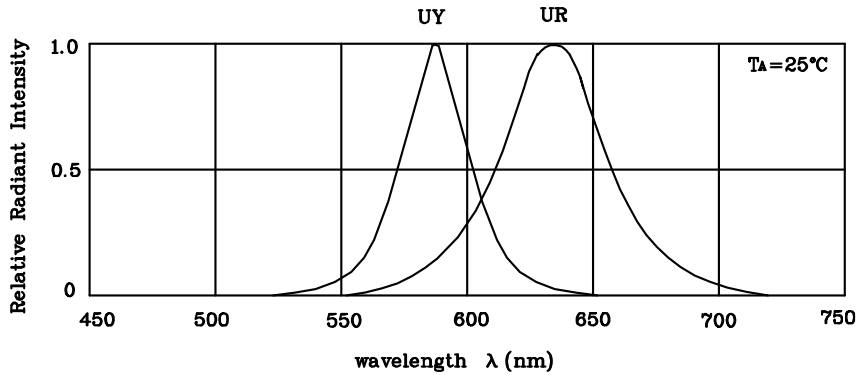
1. All dimensions are in millimeters (inches).
2. Tolerance is  $\pm 0.2(0.008)$ " unless otherwise noted.
3. Specifications are subject to change without notice.



| Absolute maximum ratings<br>(TA=25°C)                          |      | UR<br>(GaAsP/<br>GaP) | UY<br>(GaAsP/<br>GaP) | Unit |
|--|------|-----------------------|-----------------------|------|
| Reverse Voltage  | VR   | 5                     | 5                     | V    |
| Forward Current  | IF   | 30                    | 30                    | mA   |
| Forward Current (Peak)<br>1/10 Duty Cycle<br>0.1ms Pulse Width | iFS  | 160                   | 140                   | mA   |
| Power Dissipation  | PT   | 75                    | 75                    | mW   |
| Operating Temperature  | TA   | -40 ~ +85             |                       | °C   |
| Storage Temperature  | Tstg | -40 ~ +85             |                       |      |

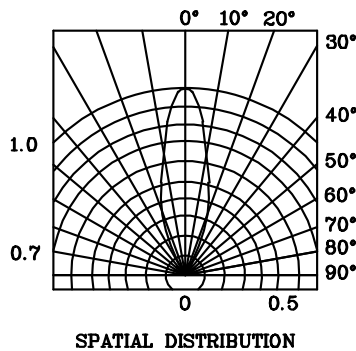
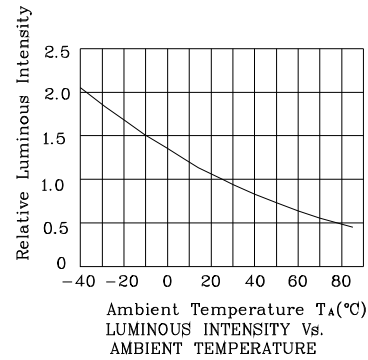
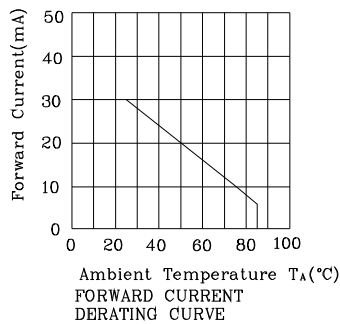
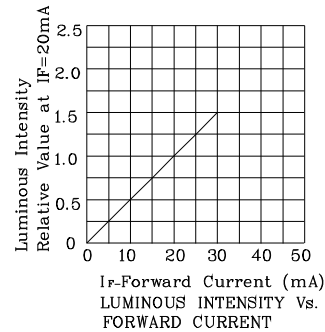
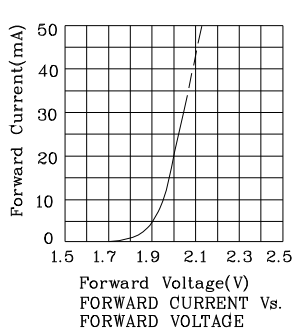
| Operating Characteristics<br>(TA=25°C)                          |                 | UR<br>(GaAsP/<br>GaP) | UY<br>(GaAsP/<br>GaP) | Unit |
|---|-----------------|-----------------------|-----------------------|------|
| Forward Voltage (Typ.)<br>(IF=20mA)                             | VF              | 2.0                   | 2.1                   | V    |
| Forward Voltage (Max.)<br>(IF=20mA)                             | VF              | 2.5                   | 2.5                   | V    |
| Reverse Current (Max.)<br>(VR=5V)                               | IR              | 10                    | 10                    | uA   |
| Wavelength Of Peak<br>Emission (Typ.)<br>(IF=20mA)              | $\lambda P$     | 627                   | 590                   | nm   |
| Wavelength Of Domi-<br>nant Emission (Typ.)<br>(IF=20mA)        | $\lambda D$     | 625                   | 588                   | nm   |
| Spectral Line Full Width<br>At Half-Maximum (Typ.)<br>(IF=20mA) | $\Delta\lambda$ | 45                    | 35                    | nm   |
| Capacitance (Typ.)<br>(VF=0V, f=1MHz)                           | C               | 15                    | 20                    | pF   |

| Part Number | Emitting Color | Emitting Material | Lens-color  | Luminous Intensity<br>(IF=20mA)<br>mcd |      | Wavelength<br>nm<br>$\lambda P$ | Viewing Angle<br>2 $\theta$ 1/2 |
|-------------|----------------|-------------------|-------------|--|------|---------------------------------|---------------------------------|
|             |                |                   |             | min.                                   | typ. |                                 |                                 |
| XZUYR55W-8  | Red            | GaAsP/GaP         | Water Clear | 10                                     | 24   | 627                             | 30°                             |
|             | Yellow         | GaAsP/GaP         |             | 4                                      | 14   | 590                             |                                 |

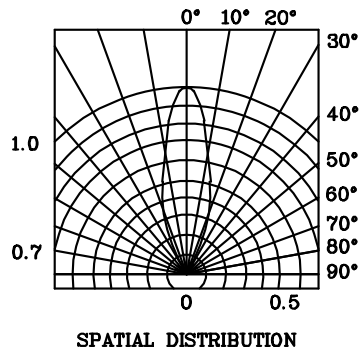
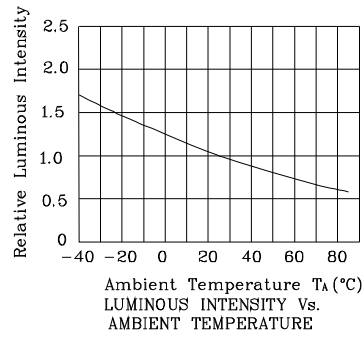
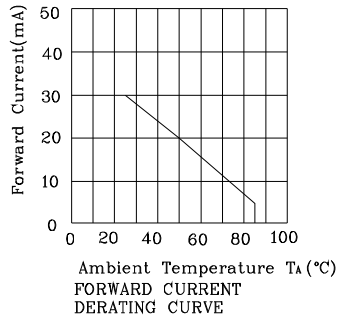
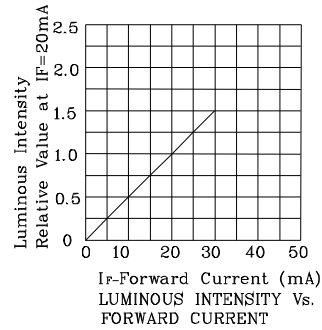
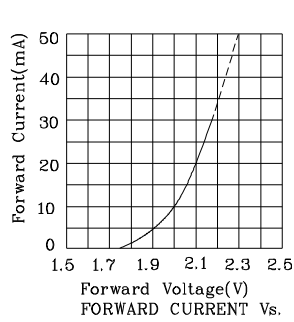


RELATIVE INTENSITY Vs. WAVELENGTH

❖ UR



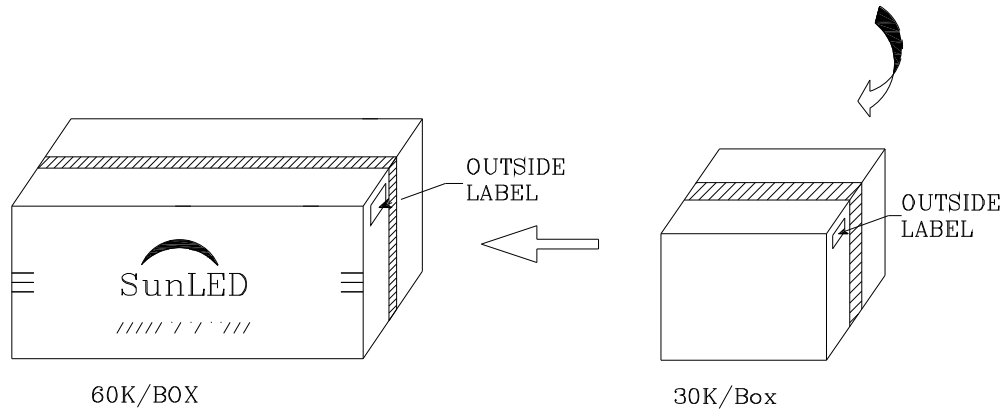
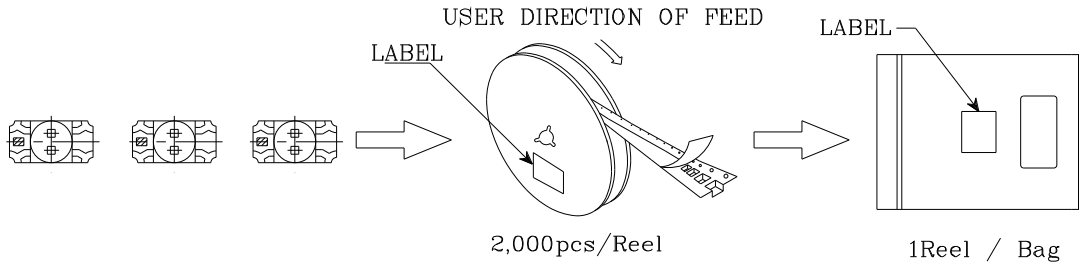
❖ UY






**PACKING & LABEL SPECIFICATIONS**

**XZUYR55W-8**



|  |           |
|--|-----------|
| P/NO : XZxx55x-8   |           |
| QTY : 2,000 pcs  | CODE: XXX |
| S/N : XX   |           |
| LOT NO:  |           |
| <br>XXXXXXXXXXXXXXXXXXXX |           |
| RoHS Compliant   |           |