

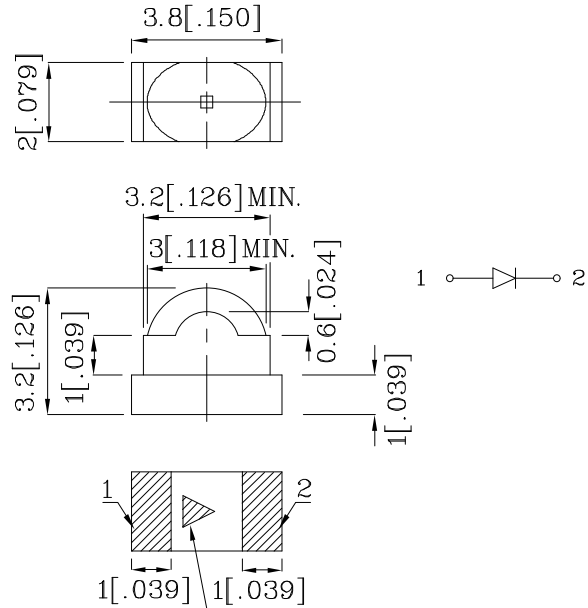
**Features**

- 3.8mmx2.0mm SMT LED,3.2mm THICKNESS.
- LOW POWER CONSUMPTION.
- IDEAL FOR BACK LIGHT AND INDICATOR.
- VARIOUS COLORS AND LENS TYPES AVAILABLE.
- PACKAGE : 500PCS / REEL.
- MOISTURE SENSITIVITY LEVEL : LEVEL 3.
- RoHS COMPLIANT.



Notes:

1. All dimensions are in millimeters (inches).
2. Tolerance is  $\pm 0.2(0.008)$  unless otherwise noted.
3. Specifications are subject to change without notice.

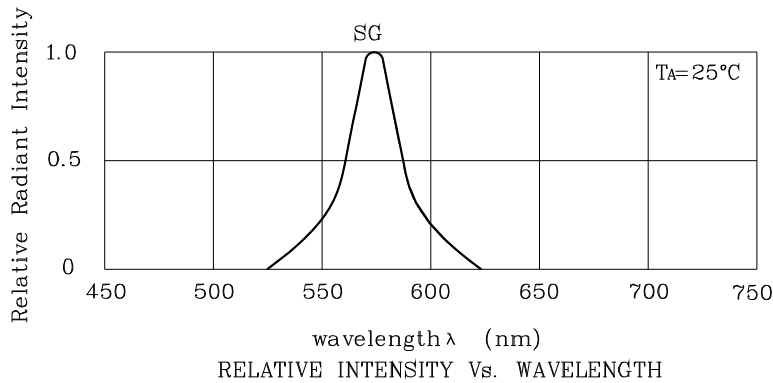


POLARITY MARK

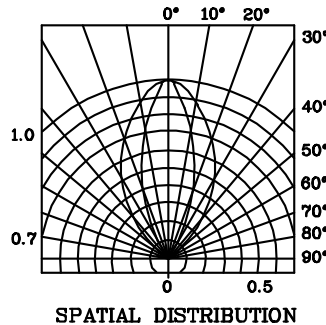
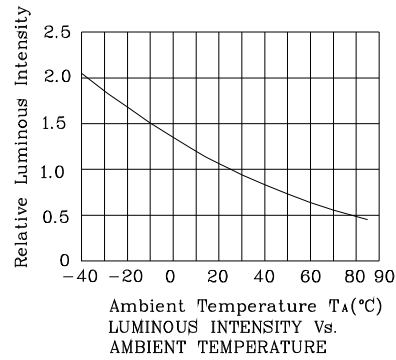
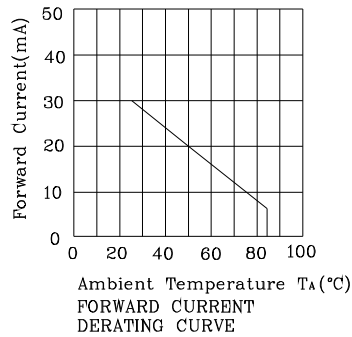
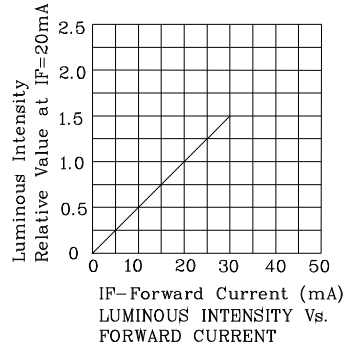
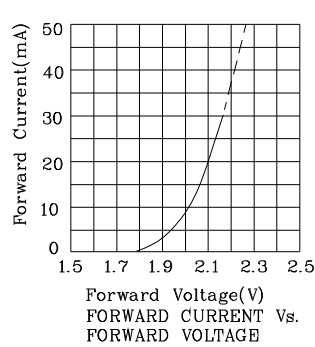
| Absolute Maximum Ratings<br>(TA=25°C)                          |      | SG<br>(InGaAlP) | Unit |
|--|------|-----------------|------|
| Reverse Voltage  | VR   | 5               | V    |
| Forward Current  | IF   | 30              | mA   |
| Forward Current (Peak)<br>1/10 Duty Cycle<br>0.1ms Pulse Width | iFS  | 150             | mA   |
| Power Dissipation  | PT   | 75              | mW   |
| Operating Temperature  | TA   | -40 ~ +85       | °C   |
| Storage Temperature  | Tstg | -40 ~ +85       |      |

| Operating Characteristics<br>(TA=25°C)                          |                 | SG<br>(InGaAlP) | Unit |
|---|-----------------|-----------------|------|
| Forward Voltage (Typ.)<br>(IF=20mA)                             | VF              | 2.1             | V    |
| Forward Voltage (Max.)<br>(IF=20mA)                             | VF              | 2.5             | V    |
| Reverse Current (Max.)<br>(VR=5V)                               | IR              | 10              | uA   |
| Wavelength Of Peak<br>Emission (Typ.)<br>(IF=20mA)              | $\lambda P$     | 574             | nm   |
| Wavelength Of Dominant<br>Emission (Typ.)<br>(IF=20mA)          | $\lambda D$     | 568             | nm   |
| Spectral Line Full Width<br>At Half-Maximum (Typ.)<br>(IF=20mA) | $\Delta\lambda$ | 26              | nm   |
| Capacitance<br>(VF=0V, f=1MHz)                                  | C               | 20              | pF   |

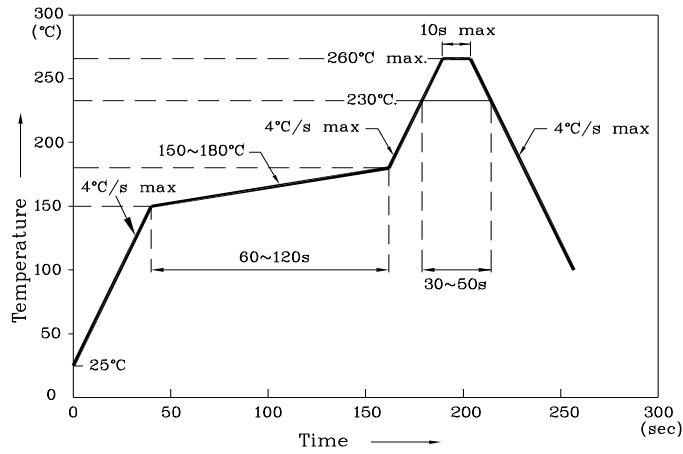
| Part Number  | Emitting Color | Emitting Material | Lens-color  | Luminous Intensity<br>(IF=20mA)<br>mcd |      | Wavelength<br>nm<br>$\lambda P$ | Viewing Angle<br>2 $\theta$ 1/2 |
|--|----------------|-------------------|-------------|--|------|---------------------------------|---------------------------------|
|  |                |                   |             | min.                                   | typ. |                                 |                                 |
| XZSG79W  | Green          | InGaAlP           | Water Clear | 70                                     | 248  | 574                             | 60°(H)<br>35°(V)                |
| Published Date : JAN 22, 2008      Drawing No : XDSA1544      V5      Checked : B.L.LIU      P.1/4 |                |                   |             |  |      |                                 |                                 |



❖ SG



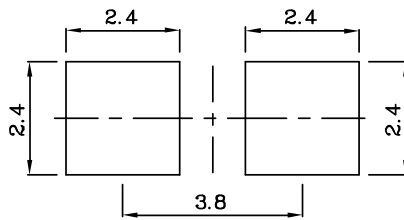
Reflow Soldering Profile For Lead-free SMT Process.



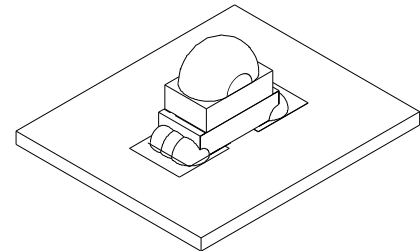
Notes:

1. Maximum soldering temperature should not exceed 260°C.
2. Recommended reflow temperature: 145°C-260°C.
3. Do not put stress to the epoxy resin during high temperatures conditions.

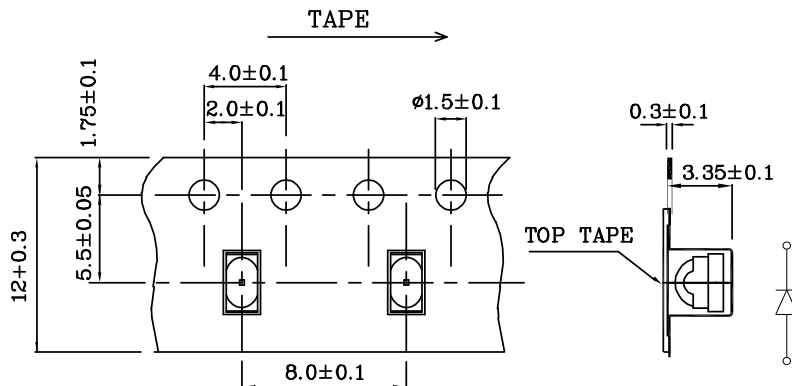
❖ Recommended Soldering Pattern  
(Units: mm ; Tolerance: ± 0.1)



The device has a single mounting surface.  
The device must be mounted according to the specifications.



❖ Tape Specification (Units : mm)



Remarks:

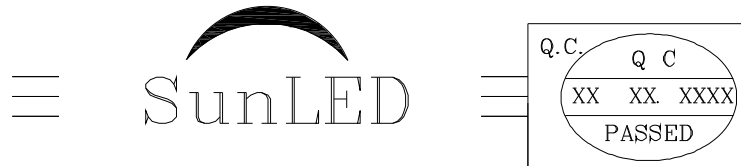
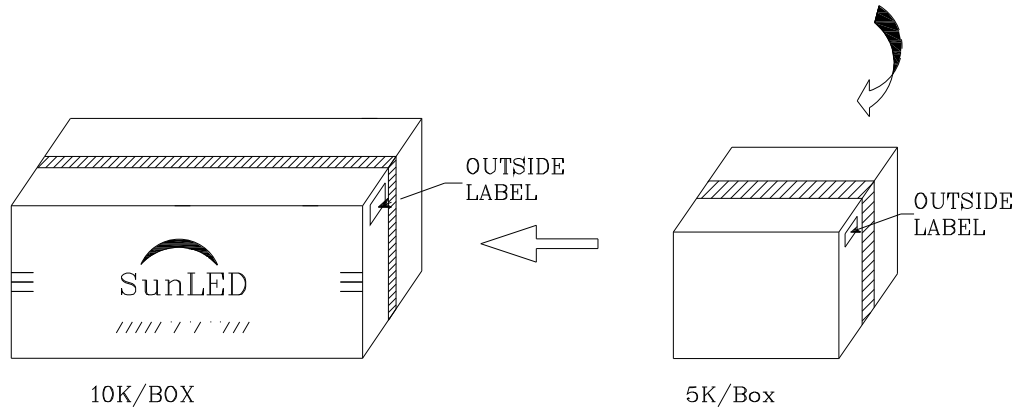
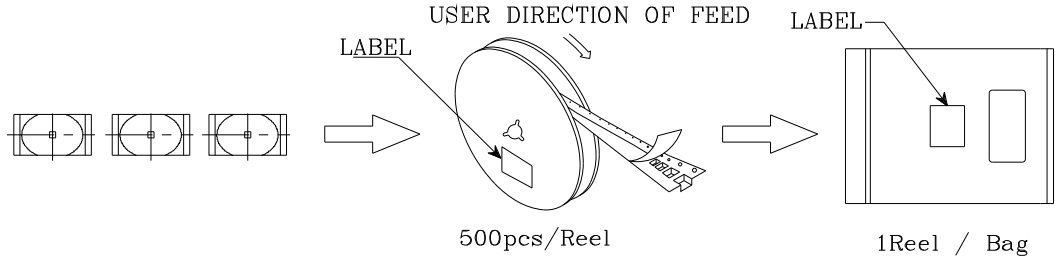
If special sorting is required (e.g. binning based on forward voltage, Luminous intensity/ luminous flux, or wavelength), the typical accuracy of the sorting process is as follows:


1. Wavelength: +/-1nm
2. Luminous Intensity/ Luminous Flux: +/-15%
3. Forward Voltage: +/-0.1V

Note: Accuracy may depend on the sorting parameters.

**PACKING & LABEL SPECIFICATIONS**

**XZSG79W**



|  |           |
|--|-----------|
| P/NO : XZxxx79x  |           |
| QTY : 500 pcs  | CODE: XXX |
| S/N : XX   |           |
| LOT NO:  |           |
| <br>XXXXXXXXXXXXXXXXXXXX |           |
| RoHS Compliant   |           |