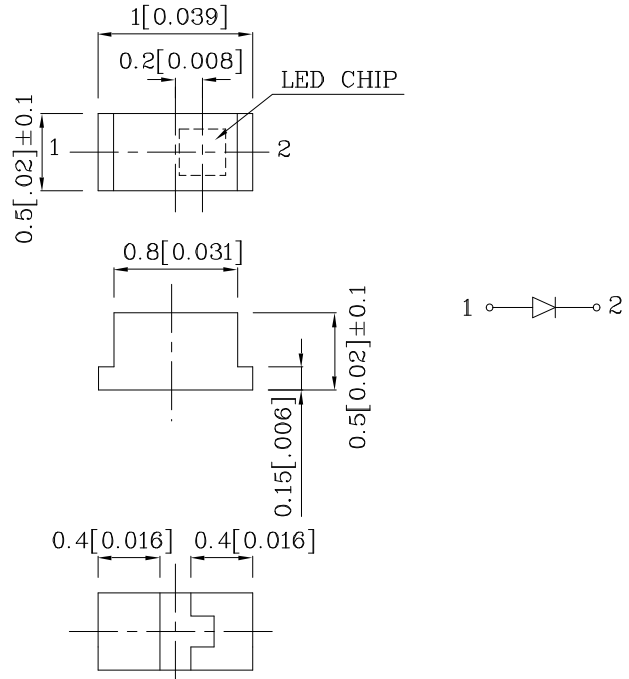


### Features

- 1.0mmX0.5mm SMT LED, 0.5mm THICKNESS.
- LOW POWER CONSUMPTION.
- WIDE VIEWING ANGLE.
- IDEAL FOR BACKLIGHT AND INDICATOR.
- VARIOUS COLORS AND LENS TYPES AVAILABLE.
- PACKAGE: 2000PCS / REEL.
- MOISTURE SENSITIVITY LEVEL : LEVEL 3.
- RoHS COMPLIANT.



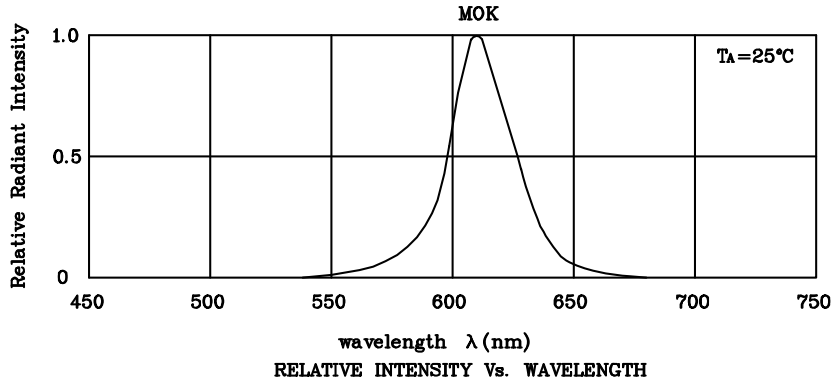
### Notes:

1. All dimensions are in millimeters (inches).
2. Tolerance is  $\pm 0.1(0.004)$  unless otherwise noted.
3. Specifications are subject to change without notice.

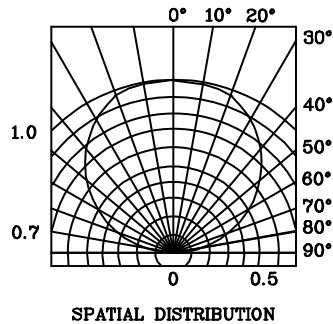
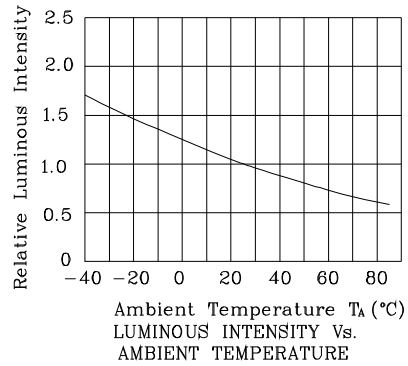
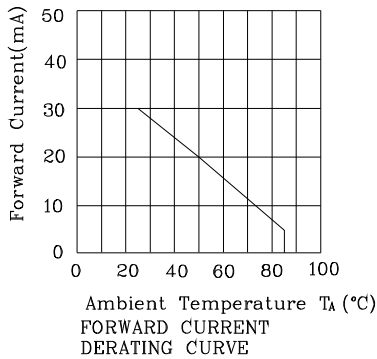
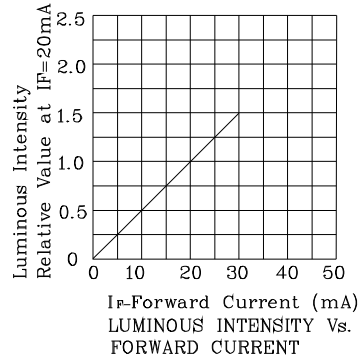
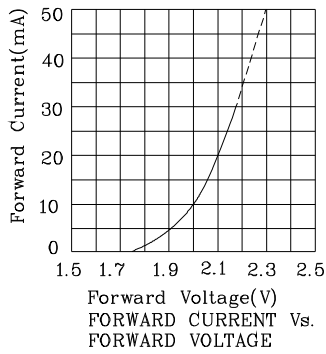
| Absolute Maximum Ratings<br>( $T_A=25^\circ\text{C}$ )         |           | MOK<br>(InGaAlP) | Unit |
|--|-----------|------------------|------|
| Reverse Voltage  | $V_R$     | 5                | V    |
| Forward Current  | $I_F$     | 30               | mA   |
| Forward Current (Peak)<br>1/10 Duty Cycle<br>0.1ms Pulse Width | $i_{FS}$  | 195              | mA   |
| Power Dissipation  | $P_T$     | 75               | mW   |
| Operating Temperature  | $T_A$     | -40 ~ +85        | °C   |
| Storage Temperature  | $T_{stg}$ | -40 ~ +85        |      |

| Operating Characteristics<br>( $T_A=25^\circ\text{C}$ )                     |                 | MOK<br>(InGaAlP) | Unit          |
|---|-----------------|------------------|---------------|
| Forward Voltage (Typ.)<br>( $I_F=20\text{mA}$ )                             | $V_F$           | 2.1              | V             |
| Forward Voltage (Max.)<br>( $I_F=20\text{mA}$ )                             | $V_F$           | 2.5              | V             |
| Reverse Current (Max.)<br>( $V_R=5\text{V}$ )                               | $I_R$           | 10               | $\mu\text{A}$ |
| Wavelength Of Peak<br>Emission (Typ.)<br>( $I_F=20\text{mA}$ )              | $\lambda_P$     | 610              | nm            |
| Wavelength Of Dominant<br>Emission (Typ.)<br>( $I_F=20\text{mA}$ )          | $\lambda_D$     | 601              | nm            |
| Spectral Line Full Width<br>At Half-Maximum (Typ.)<br>( $I_F=20\text{mA}$ ) | $\Delta\lambda$ | 29               | nm            |
| Capacitance (Typ.)<br>( $V_F=0\text{V}$ , $f=1\text{MHz}$ )                 | $C$             | 15               | pF            |

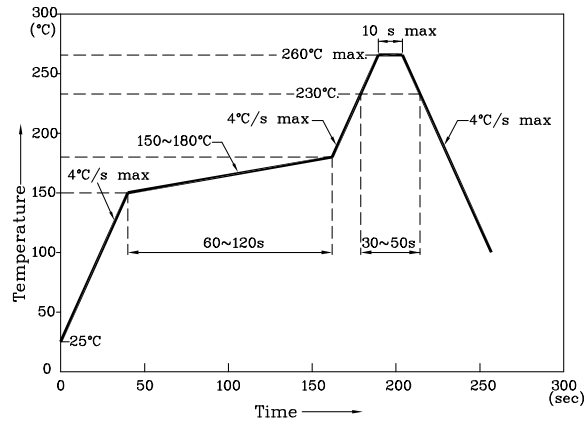
| Part Number  | Emitting Color | Emitting Material | Lens-color  | Luminous Intensity<br>( $I_F=20\text{mA}$ )<br>mcd |      | Wavelength<br>nm<br>$\lambda_P$ | Viewing Angle<br>$2\theta$ 1/2 |
|--|----------------|-------------------|-------------|--|------|---------------------------------|--------------------------------|
|  |                |                   |             | min.   | typ. |                                 |                                |
| XZMOK68W-2   | Orange         | InGaAlP           | Water Clear | 50   | 158  | 610                             | 120°                           |
| Published Date : JAN 17, 2008      Drawing No : XDSA6859      V3      Checked : B.L.LIU      P.1/4 |                |                   |             |  |      |                                 |                                |



❖ **MOK**



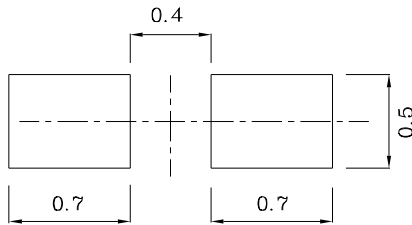
Reflow Soldering Profile For Lead-free SMT Process.



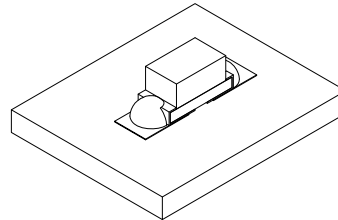
NOTES:

1. Maximum soldering temperature should not exceed 260°C.
2. Recommended reflow temperature: 145°C–260°C.
3. Do not put stress to the epoxy resin during high temperatures conditions.

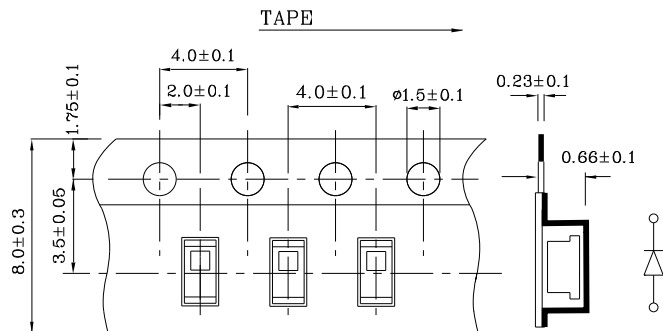
❖ Recommended Soldering Pattern  
(Units : mm; Tolerance: ± 0.1)



❖ The device has a single mounting surface. The device must be mounted according to the specifications.



❖ Tape Specification (Units : mm)



Remarks:

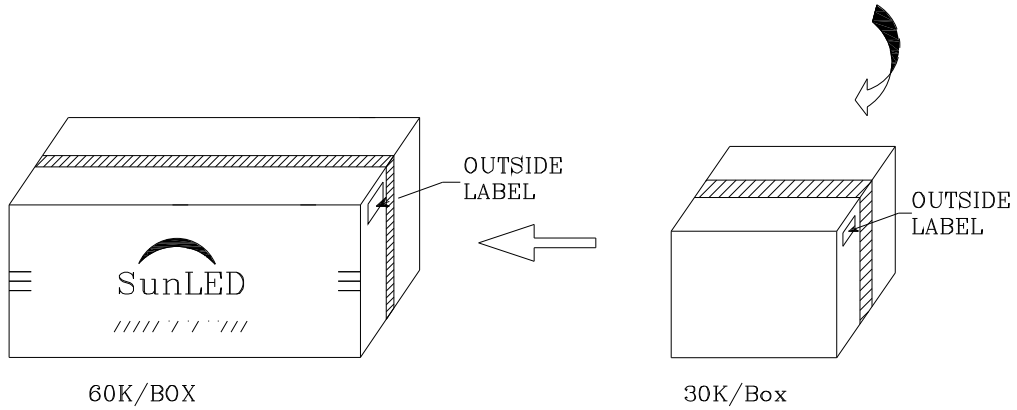
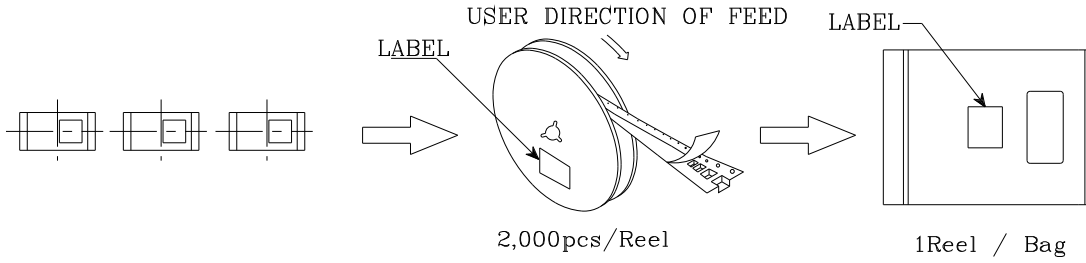

If special sorting is required (e.g. binning based on forward voltage, Luminous intensity / luminous flux, or wavelength), the typical accuracy of the sorting process is as follows:

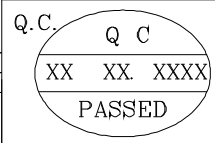

1. Wavelength: +/-1nm
2. Luminous intensity / luminous flux: +/-15%
3. Forward Voltage: +/-0.1V

Note: Accuracy may depend on the sorting parameters.

**PACKING & LABEL SPECIFICATIONS**

**XZMOK68W-2**

|  |           |
|--|-----------|
|                              |           |
| P/NO : XZxx68x-2   |           |
| QTY : 2,000 pcs  | CODE: XXX |
| S/N : XX   |           |
| LOT NO:  |           |
| <br>XXXXXXXXXXXXXXXXXXXXXXXX |           |
| RoHS Compliant   |           |