

Table 19.324: Base Units + Covers

Description	Color	Catalog Number	\$ Price
Base unit and cover	Black	XVPC21	32.00
Base unit and cover	Off-white	XVPC21W	
Base unit and cover (with ring-tongue compatible terminal)	Off-white	XVPC21WR	

Table 19.325: XVP Lens Units

Description	Ring Color	Light Source and Voltage	Lens Color	Catalog Number	\$ Price
Steady or Flashing					
50 mm steady lens unit <small>(See Table 19.327 on page 19-111 and Table 19.328 on page 19-111 for LEDs and incandescent bulbs)</small>	Black	Bulb (7 W max) not included 250 V max	Green Red Amber Blue Clear Yellow	XVPC33 XVPC34 XVPC35 XVPC36 XVPC37 XVPC38	29.00
	Off-white	Bulb (7 W max) not included 250 V max	Green Red Amber Blue Clear Yellow	XVPC33W XVPC34W XVPC35W XVPC36W XVPC37W XVPC38W	
Strobe					
Lens unit with integral strobe	Black	Strobe 24 Vdc 0.3 Joule	Green Red Amber Blue Clear Yellow	XVPC6B3 XVPC6B4 XVPC6B5 XVPC6B6 XVPC6B7 XVPC6B8	124.00
		Strobe 120 Vac 0.6 Joule	Green Red Amber Blue Clear Yellow	XVPC6G3 XVPC6G4 XVPC6G5 XVPC6G6 XVPC6G7 XVPC6G8	
	Off-white	Strobe 24 Vdc 0.3 Joule	Green Red Amber Blue Clear Yellow	XVPC6B3W XVPC6B4W XVPC6B5W XVPC6B6W XVPC6B7W XVPC6B8W	
		Strobe 120 Vac 0.6 Joule	Green Red Amber Blue Clear Yellow	XVPC6G3W XVPC6G4W XVPC6G5W XVPC6G6W XVPC6G7W XVPC6G8W	

Table 19.326: XVP Audible Sounder Units

Description	Ring Color	Supply Voltage	Catalog Number	\$ Price
50 mm sounder unit (IP40 NEMA 1)	Black	24 Vdc	XVPC09B	104.00
		120 Vac	XVPC09G	
Ten tone selections, 75–85 dB at 1 m	Off-white	24 Vdc	XVPC09BW	
		120 Vac	XVPC09GW	
		230 Vac	XVPC09M	
		230 Vac	XVPC09MW	

Table 19.327: XVP LED Bulbs



DL1BEJ

DL1BDB1

Description	Voltage	Color	Catalog Number	\$ Price
Steady-On LEDs Protected LED	24 Vac/Vdc	White Green Red Amber Blue Yellow	DL1BDB1 DL1BDB3 DL1BDB4 DL1BDB5 DL1BDB6 DL1BDB8	72.00
	120 Vac	White Green Red Amber Blue Yellow	DL1BDG1 DL1BDG3 DL1BDG4 DL1BDG5 DL1BDG6 DL1BDG8	
Flashing LEDs Protected LED	24 Vac/Vdc	White Green Red Amber Blue Yellow	DL1BKB1 DL1BKB3 DL1BKB4 DL1BKB5 DL1BKB6 DL1BKB8	93.00
	120 Vac	White Green Red Amber Blue Yellow	DL1BKG1 DL1BKG3 DL1BKG4 DL1BKG5 DL1BKG6 DL1BKG8	
Bayonet type BA 15d, 7 W	12 Vac/Vdc 24 Vac/Vdc 48 Vac/Vdc 120 Vac/Vdc 230 Vac/Vdc		DL1BEJ DL1BEB DL1BEE DL1BEG DL1BEM	5.40



XVPC03T

Table 19.328: XVP Accessories



XVPC02

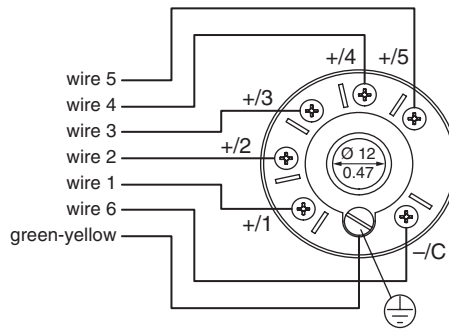
Description	Color	Characteristics		Catalog Number	\$ Price
		IN	mm		
Mounting tube with bracket	Silver	4	100	XVPC02T	21.70
		10	250	XVPC03T	26.90
		16	400	XVPC04T	32.00
Mounting tube with tulip base	Black	4	100	XVPC02	21.70
		10	250	XVPC03	32.00
		16	400	XVPC04	32.00
	Off-white	4	100	XVPC02W	26.90
		10	250	XVPC03W	26.90
		16	400	XVPC04W	32.00
Wall mounting bracket (metal)	Black Off-white	—	—	XVPC12 XVPC12W	10.40
Bulb mounting and removal tool	—	—	—	XVPCX13	5.20



XVPC12

Wiring Diagram

Cable Connections, Supply line maximum: 1.5 mm² (16 AWG)



XVP21