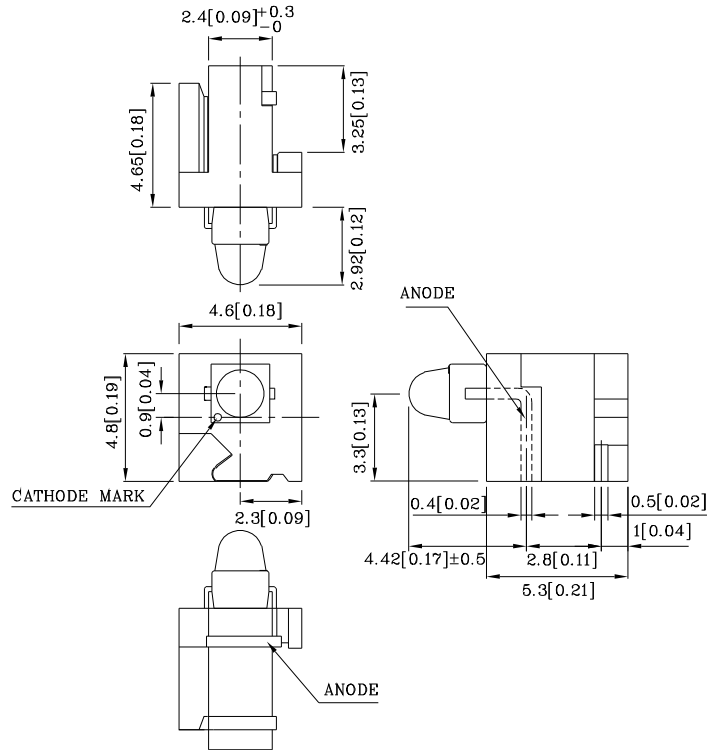


**Features**

- I.C. COMPATIBLE
- BLACK CASE ENHANCES CONTRAST RATIO
- HOUSING MATERIAL: PPA
- HIGH TEMPERATURE RESISTANT HOUSING
- PACKAGE: 500PCS / REEL .
- RoHS COMPLIANT.



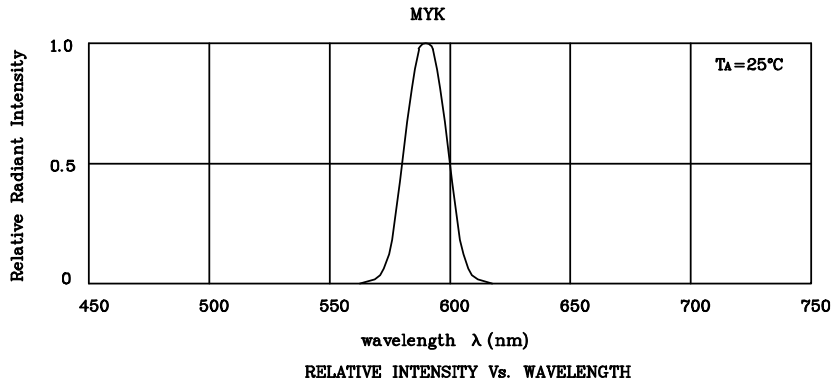
Notes:

1. All dimensions are in millimeters (inches).
2. Tolerance is ± 0.1(0.004") unless otherwise noted.

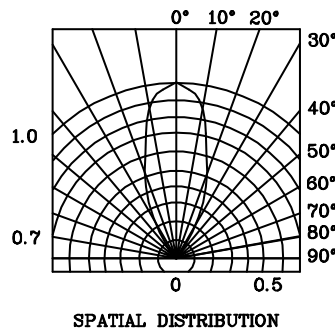
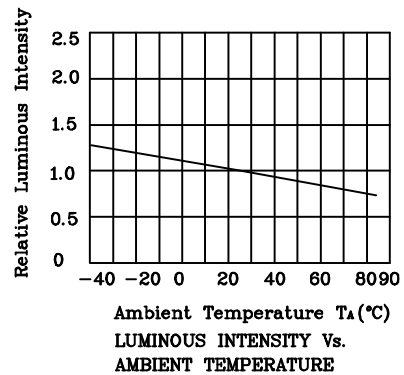
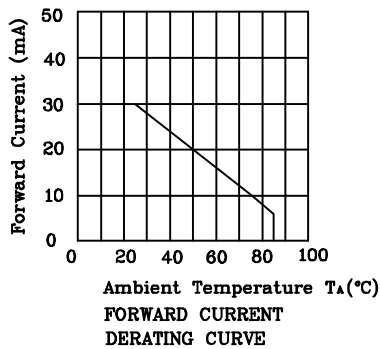
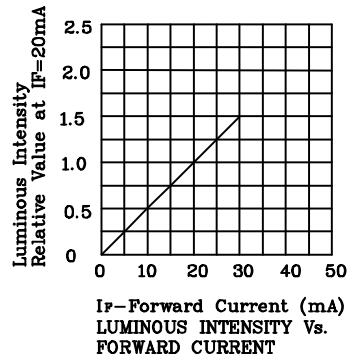
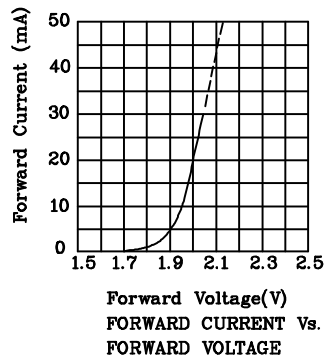
| Absolute maximum ratings<br>(T <sub>A</sub> =25°C)             |                  | MYK<br>(InGaAlP) | Unit |
|--|------------------|------------------|------|
| Reverse Voltage  | V <sub>R</sub>   | 5                | V    |
| Forward Current  | I <sub>F</sub>   | 30               | mA   |
| Forward Current (Peak)<br>1/10 Duty Cycle<br>0.1ms Pulse Width | i <sub>FS</sub>  | 175              | mA   |
| Power Dissipation  | P <sub>T</sub>   | 125              | mW   |
| Operating Temperature  | T <sub>A</sub>   | -40 ~ +85        | °C   |
| Storage Temperature  | T <sub>stg</sub> | -40 ~ +85        |      |

| Operating Characteristics<br>(T <sub>A</sub> =25°C)                   |                | MYK<br>(InGaAlP) | Unit |
|---|----------------|------------------|------|
| Forward Voltage (Typ.)<br>(I <sub>F</sub> =20mA)                      | V <sub>F</sub> | 2.0              | V    |
| Forward Voltage (Max.)<br>(I <sub>F</sub> =20mA)                      | V <sub>F</sub> | 2.5              | V    |
| Reverse Current<br>(V <sub>R</sub> =5V)                               | I <sub>R</sub> | 10               | uA   |
| Wavelength of Peak<br>Emission<br>(I <sub>F</sub> =20mA)              | λ <sub>p</sub> | 590              | nm   |
| Wavelength of Dominant<br>Emission<br>(I <sub>F</sub> =20mA)          | λ <sub>D</sub> | 590              | nm   |
| Spectral Line Full Width<br>At Half-Maximum<br>(I <sub>F</sub> =20mA) | Δλ             | 20               | nm   |
| Capacitance<br>(V <sub>F</sub> =0V, f=1MHz)                           | C              | 20               | pF   |

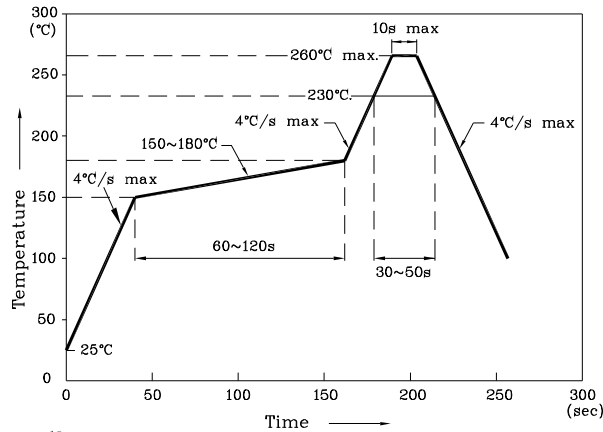
| Part Number  | Emitting Color | Emitting Material | Lens-color      | Luminous Intensity<br>(I <sub>F</sub> =20mA)<br>mcd |      | Wavelength<br>nm<br>λ P | Viewing Angle<br>2θ 1/2 |
|--------------|----------------|-------------------|-----------------|---|------|-------------------------|-------------------------|
|              |                |                   |                 | min.  | typ. |                         |                         |
| XRP1LMYK103D | Yellow         | InGaAlP           | Yellow Diffused | 18  | 49   | 590                     | 40°                     |



❖ MYK



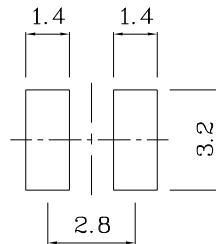
Reflow Soldering Profile For Lead-free SMT Process.



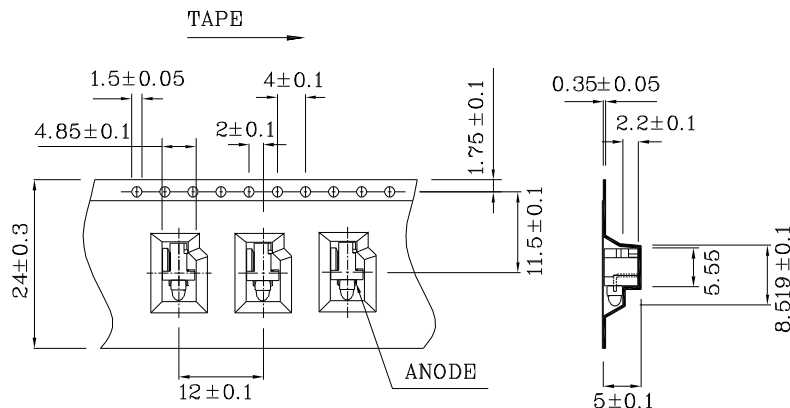
Notes:

1. Maximum soldering temperature should not exceed 260°C.
2. Recommended reflow temperature: 145°C-260°C.
3. Do not put stress to the epoxy resin during high temperatures conditions.

❖ Recommended Soldering Pattern (Units : mm;Tolerance:± 0.1)



❖ Tape Specification (Units : mm)



Remarks:

If special sorting is required (e.g. binning based on forward voltage, luminous intensity, or wavelength), the typical accuracy of the sorting process is as follows:

1. Wavelength: +/-1nm
2. Luminous Intensity: +/-15%
3. Forward Voltage: +/-0.1V

Note: Accuracy may depend on the sorting parameters.