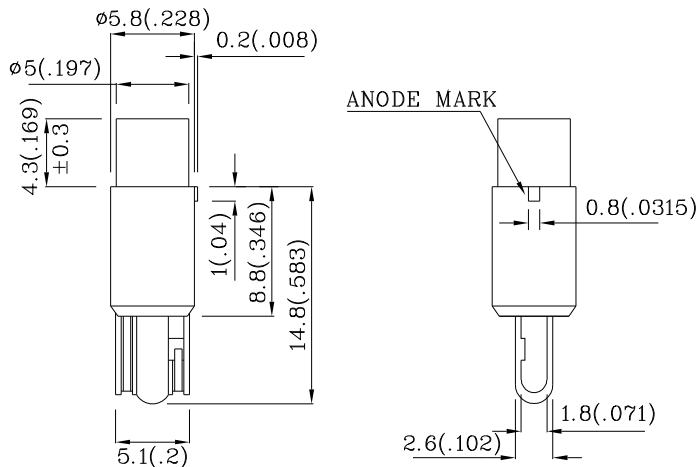


PRELIMINARY SPEC

Features

- LONG LIFE, SOLID STATE.
- WITH BUILT-IN RESISTOR FOR 14V DC APPLICATION.
- WEDGE BASE, EASY INSTALLATION & REPLACEMENT.
- UL RATING : 94V-0.
- HOUSING MATERIAL: TYPE 66 NYLON.
- 14V INTERNAL RESISTOR.
- RoHS COMPLIANT.



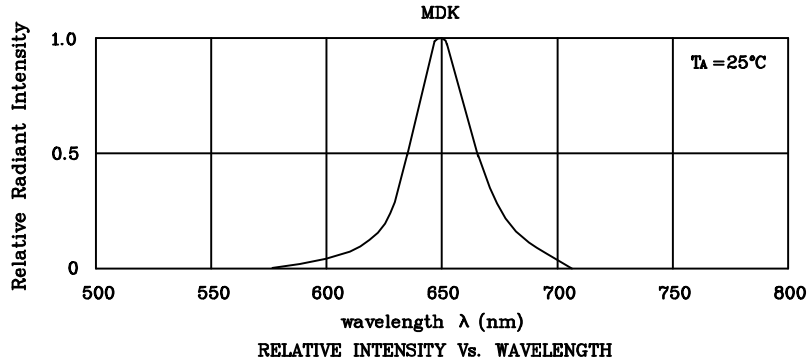
Notes:

1. All dimensions are in millimeters (inches).
2. Tolerance is $\pm 0.25(0.01)$ " unless otherwise noted.

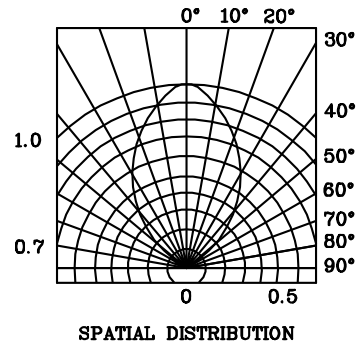
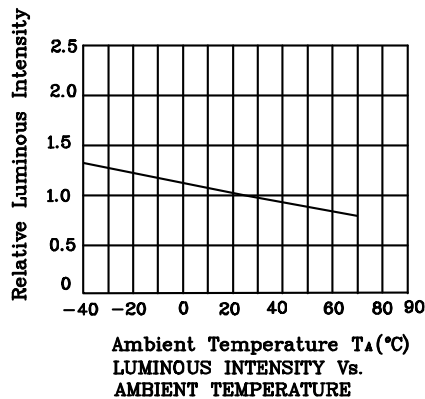
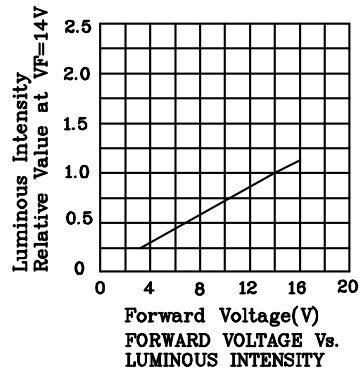
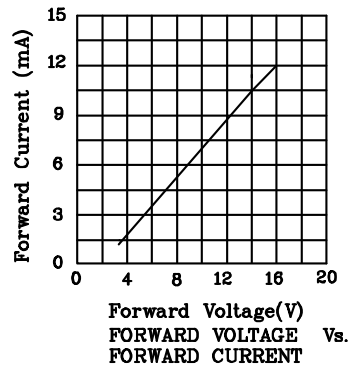
Absolute Maximum Ratings ($T_A=25^\circ\text{C}$)		MDK (InGaAlP)	Unit
Reverse Voltage	V_R	5	V
Forward Voltage	V_F	16	V
Power Dissipation	P_T	160	mW
Operating Temperature	T_A	-40 ~ +70	$^\circ\text{C}$
Storage Temperature	T_{stg}	-40 ~ +85	$^\circ\text{C}$
Lead Solder Temperature [2mm Below Package Base]		260 $^\circ\text{C}$ For 3 Seconds	
Lead Solder Temperature [5mm Below Package Base]		260 $^\circ\text{C}$ For 5 Seconds	

Operating Characteristics ($T_A=25^\circ\text{C}$)		MDK (InGaAlP)	Unit
Forward Current (Typ.) ($V_F=14\text{V}$)	I_F	10.5	mA
Forward Current (Max.) ($V_F=14\text{V}$)	I_F	13.5	mA
Reverse Current (Max.) ($V_R=5\text{V}$)	I_R	10	μA
Wavelength of Peak Emission (Typ.) ($V_F=14\text{V}$)	λ_P	650	nm
Wavelength of Dominant Emission (Typ.) ($V_F=14\text{V}$)	λ_D	635	nm
Spectral Line Full Width At Half-Maximum (Typ.) ($V_F=14\text{V}$)	$\Delta\lambda$	28	nm

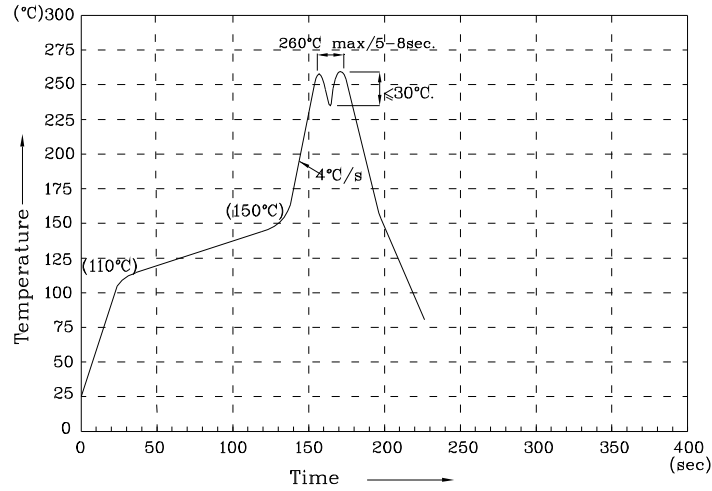
Part Number	Emitting Color	Emitting Material	Lens-color	Luminous Intensity ($V=14\text{V}$) mcd		Wavelength nm λ_P	Viewing Angle $2\theta_{1/2}$
				min.	typ.		
XNZSMDK52W14V02	Red	InGaAlP	Water Clear	40	148	650	70 $^\circ$
Published Date : JUN 13, 2006 Drawing No : XDSA9755 V2 Checked : B.L.LIU P.1/3							



❖ MDK



Wave Soldering Profile For Lead-free Through-hole LED.



NOTES:

- 1.Recommend the wave temperature 245°C~260°C.The maximum soldering temperature should be less than 260°C.
- 2.Do not apply stress on epoxy resins when temperature is over 85 degree°C.
- 3.The soldering profile apply to the lead free soldering (Sn/Cu/Ag alloy).
- 4.No more than once.

Remarks:

If special sorting is required (e.g. binning based on Luminous intensity / luminous flux, or wavelength), the typical accuracy of the sorting process is as follows:

1. Wavelength: +/-1nm
2. Luminous Intensity / Luminous Flux: +/-15%

Note: Accuracy may depend on the sorting parameters.