

XKA

Characteristics

- long overtravel
- snap-action CO
- snap-in mounting
- type of protection according to IEC 60079-15.1:2010

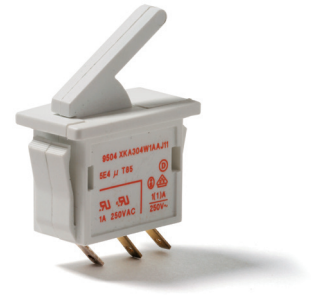
Rating 250 VAC, 1 (1) A
5E4, T85

Dimensions (mm) 28 × 20 × 15

Actuator

- plain lever
- round levers

Approvals UL, CSA, ENEC



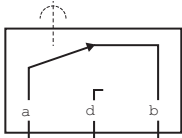
Preferred Range

Ordering Reference	Actuating Force (N)	Sealing	Operating pos. (mm)	Terminal	Circuit	Actuator	Contacts	Electrical rating
XKA304A1AAJ11	0.65	IP40	15,1 ± 1,6	tab	CO	Straight lever	Ag/AgNi	250 VAC, 1 A
XKA304A1AAJ21	0.62	IP40	14,9 ± 1,6	tab	CO	Straight lever	Ag/AgNi	250 VAC, 1 A

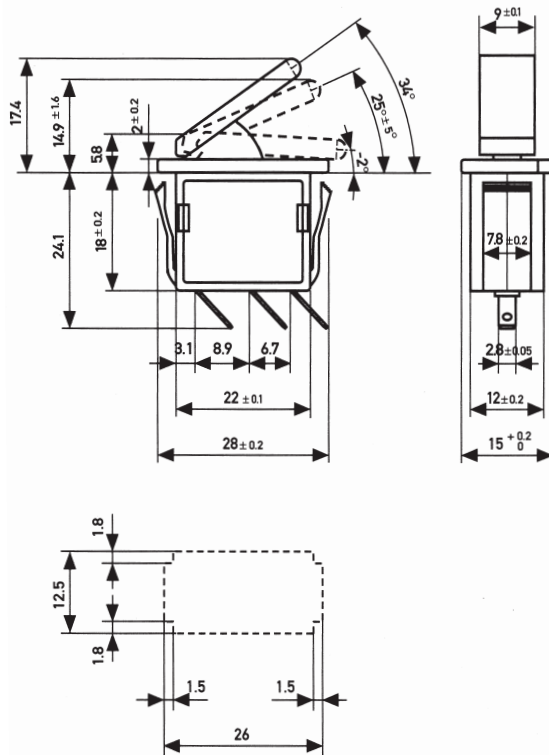
Specifications

Housing	PA
Plunger	PA
Mechanism	Snap-action system with stainless steel tension spring
Functions	Change-over
Contacts	Ag
Terminals	tab
Temperature range °C	85°C
Mechanical life	3 · 10 ⁵ cycles minimum
Protection	Enclosure IP 40
Mounting	Snap-in fixing
Contact carrier	Brass
Tracking resistance	PTI 175
Glow-wire	850 °C

Circuit diagram



Dimensions



Recommended maximum electrical ratings

Voltage VAC	Resistive load (A)	Motor load (A)
250	1	1

The breaking capacities in the tables refer to silver contacts. Gold-plated contacts are intended for use in signal circuits where the energy being switched is at the milliwatt level. Power being switched must be limited in order to avoid overheating and possible dispersal of the gold from the contact area.