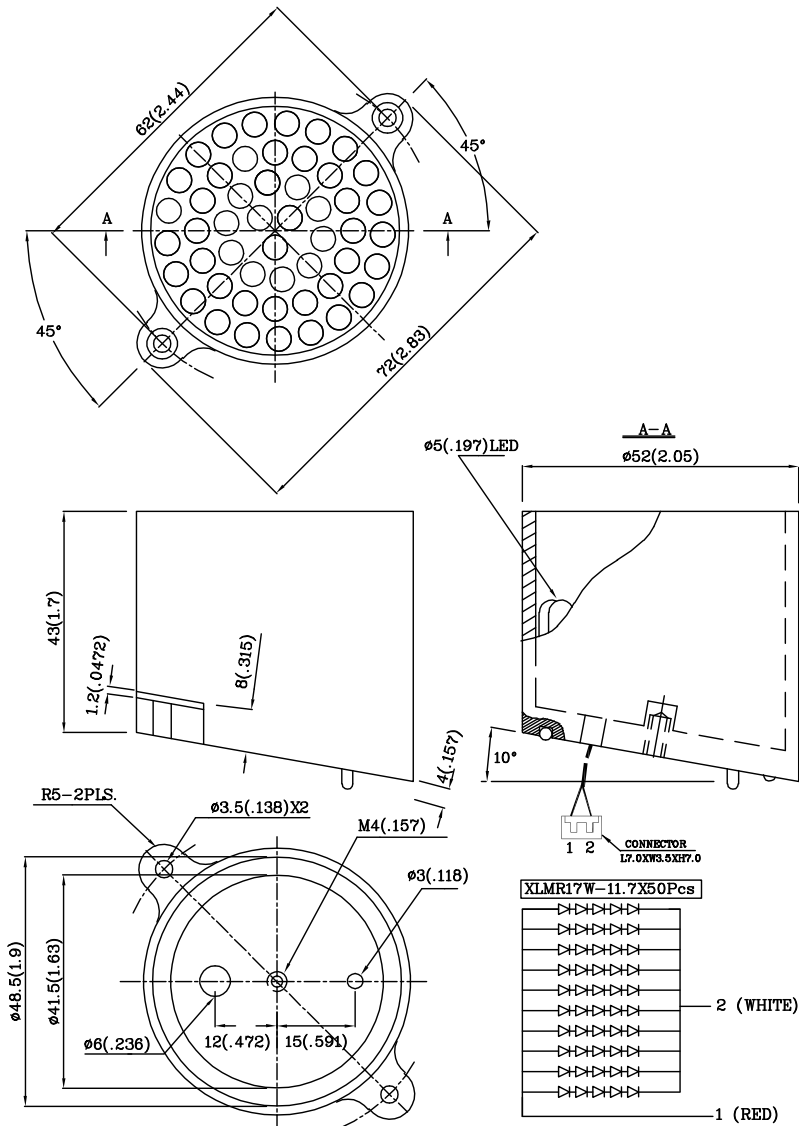


**Features**

- WATERPROOF CONSTRUCTION.
- SUITABLE FOR OUTDOOR APPLICATIONS, SIGNBOARD OR MESSAGE BOARD, ETC.
- BOTH SINGLE COLOR AND MULTI-COLOR (RED, GREEN & ORANGE) ARE AVAILABLE.
- RoHS COMPLIANT.



Notes:

1. All dimensions are in millimeters (inches).
2. Tolerance is  $\pm 0.25(0.01)$  unless otherwise noted.

**Electrical / Optical Characteristics at TA=25°C**

Symbol	Parameter	Device	Min	Typ.	Max.	Units	Test Conditions
IV	Luminous Intensity	XK50MRW6	12000	20990	-	mcd	IF=200mA
2θ1/2	Viewing Angle		-	40	-	deg	-
VF	Forward Voltage		-	9.3	12.5	V	IF=200mA
λ p	Wavelength of Peak Emission		-	660	-	nm	IF=200mA
λ D	Wavelength of Dominant Emission		-	640	-	nm	IF=200mA
Δλ 1/2	Spectral Line Full Width At Half-Maximum		-	20	-	nm	IF=200mA
IR	Reverse Current		-	-	100	uA	VR = 5V

**Absolute Maximum Ratings at TA=25°C**

Parameter	Type	Units
Power Dissipation	2800	mW
DC Forward Current	300	mA
Reverse Voltage	5	V
Operating Temperature	-40°C To +70°C	
Storage Temperature	-40°C To +85°C	