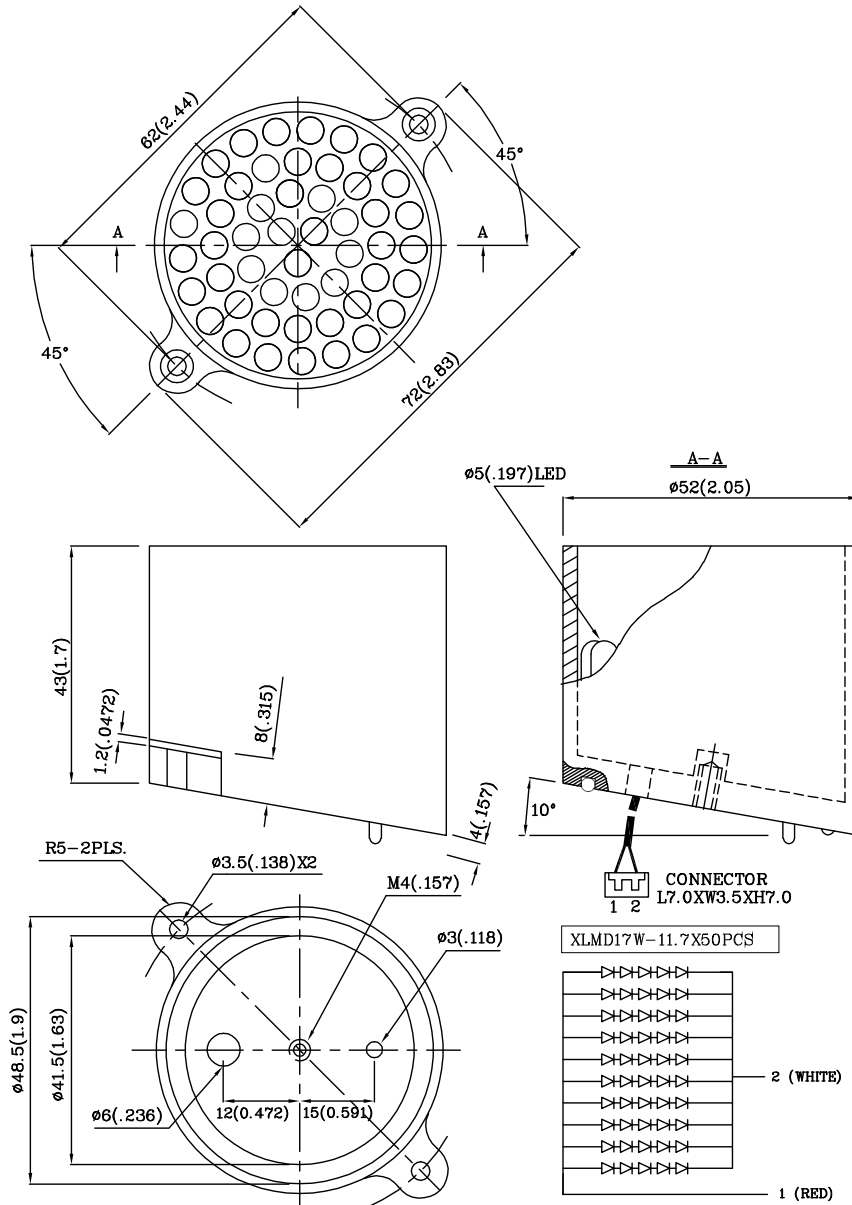


Features

- WATERPROOF CONSTRUCTION.
- SUITABLE FOR OUTDOOR APPLICATIONS, SIGNBOARD OR MESSAGE BOARD, ETC.
- RoHS COMPLIANT.



Notes:

1. All dimensions are in millimeters (inches).
2. Tolerance is $\pm 0.25(0.01)$ unless otherwise noted.

Electrical / Optical Characteristics at TA=25°C

Symbol	Parameter	Device	Min.	Typ.	Max.	Units	Test Conditions
IV	Luminous Intensity	XK50MDW46	4700	6990	-	mcd	IF=200mA
2θ 1/2	Viewing Angle		-	40	-	deg	-
VF	Forward Voltage		-	9.5	12.5	V	IF=200mA
λ P	Peak Wavelength		-	640	-	nm	IF=200mA
λ D	Dominant Wavelength		-	628	-	nm	IF=200mA
Δλ 1/2	Spectral Line Half-width		-	27	-	nm	IF=200mA
IR	Reverse Current		-	-	100	uA	VR = 5V

Absolute Maximum Ratings at TA=25°C

Parameter	Type	Units
Power dissipation	3000	mW
DC Forward Current	300	mA
Reverse Voltage	5	V
Operating Temperature	-40°C To +70°C	
Storage Temperature	-40°C To +85°C	