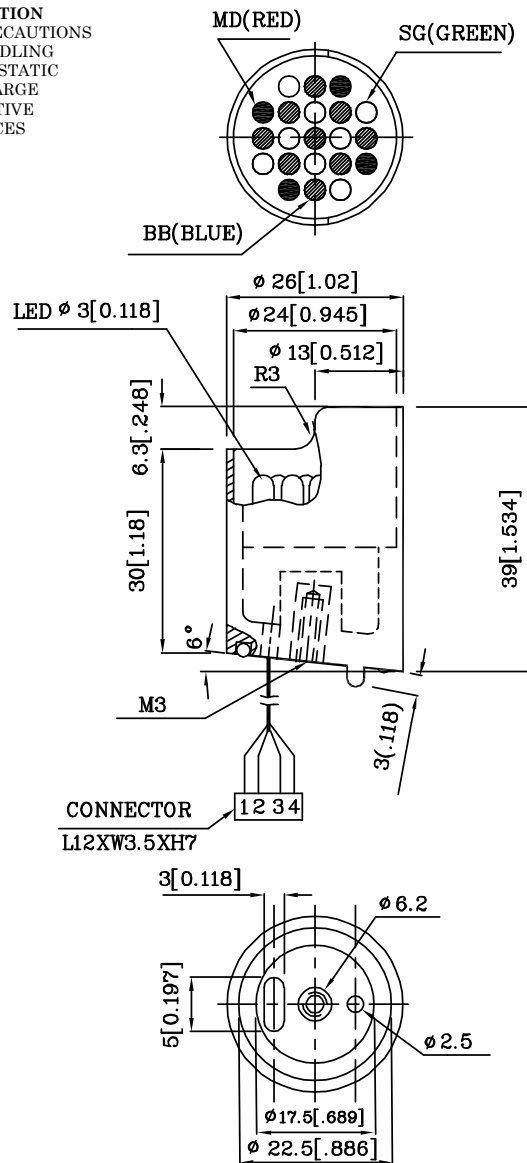


Features

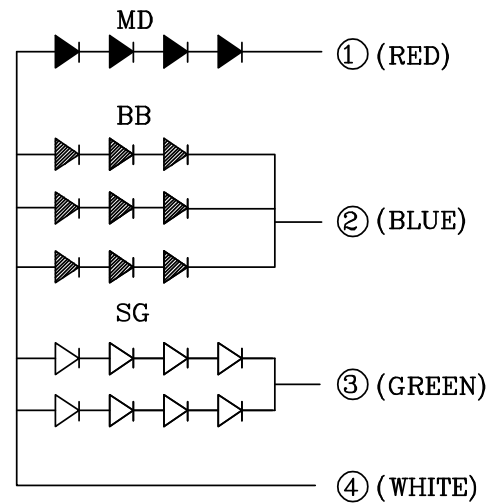
- HIGH VISIBILITY.
- WATER PROOF PACKAGE WITH HOOD SUITABLE FOR OUTDOOR AND INDOOR INFORMATION BOARDS.
- CAN PRODUCE ANY COLOR IN VISIBLE SPECTRUM, INCLUDING WHITE LIGHT.
- RoHS COMPLIANT.



ATTENTION
OBSERVE PRECAUTIONS
FOR HANDLING
ELECTROSTATIC
DISCHARGE
SENSITIVE
DEVICES



XLMD32W-10.5X 4PCS
XLBB32W-10.5X 9PCS
XLSG32W-10.5X 8PCS



Notes:

1. All dimensions are in millimeters (inches).
2. Tolerance is $\pm 0.25(0.01)$ unless otherwise noted.

Electrical / Optical Characteristics at TA=25°C

Symbol	Parameter	Device	Type	Min.	Typ.	Max.	Units	Test Conditions
I _v	Luminous Intensity	XK4MD9BB8SGW14	MD	900	1195		mcd	I _F =20mA
			BB	2800	3690			I _F =20mA
			SG	1200	1790			I _F =20mA
2θ 1/2	Viewing Angle				40		deg	
V _F	Forward Voltage		MD		7.6	10	V	I _F =20mA
			BB		10.95	12.6		I _F =60mA
			SG		8.4	10		I _F =40mA
λ _P	Wavelength of Peak Emission		MD		640		nm	I _F =20mA
			BB		468			I _F =60mA
			SG		574			I _F =40mA
λ _D	Wavelength of Dominant Emission	MD		628		nm	I _F =20mA	
		BB		470			I _F =60mA	
		SG		568			I _F =40mA	
Δλ 1/2	Spectral Line Full Width At Half-Maximum	MD		27		nm	I _F =20mA	
		BB		25			I _F =60mA	
		SG		26			I _F =40mA	
I _R	Reverse Current					60	uA	V _R = 5V

Absolute Maximum Ratings at TA=25°C

Parameter	Type	Units	
Total Power Dissipation	MD	1700	mW
	BB		
	SG		
DC Forward Current	MD	30	mA
	BB	25	
	SG	25	
Reverse Voltage	5	V	
Operating Temperature	-40°C To +70°C		
Storage Temperature	-40°C To +85°C		