

Pt100 Probe, PTFE Lead

Pt100 sensing resistor in stainless steel sheath, PTFE insulated extension lead

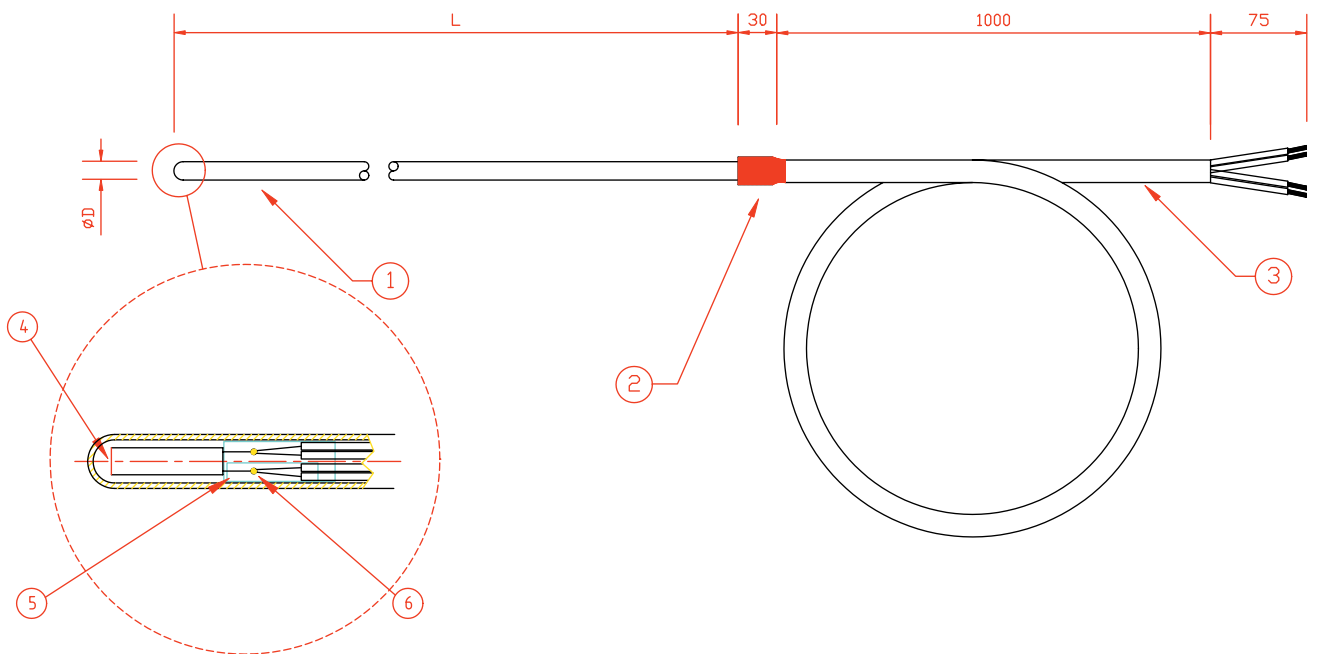
Specifications

Sensor type	Pt100 Class B, 4 wire to IEC 60751
Probe material	Stainless steel, welded tip
Tip temperature rating	-50°C to 250°C
Termination	Flying lead & tails
Extension cable	PTFE insulated screened, 4 core, 1 metre

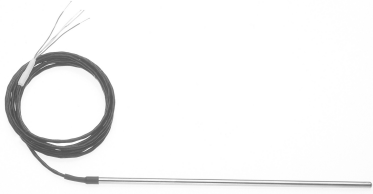
Dimensions & Codes

Probe length	Probe dia.	Farnell Code	Lab Code
150mm	3mm	4100670	XF-314-FAR
250mm	3mm	4100682	XF-315-FAR

Data Ref: FAR1



Item	Farnell Part No.	D	L
A	410-0670	3	150
B	410-0682	3	250



Pt100 Probe, Mineral Insulated, PTFE Lead

Pt100 sensing resistor in flexible, mineral insulated, stainless steel sheath, PTFE insulated extension lead

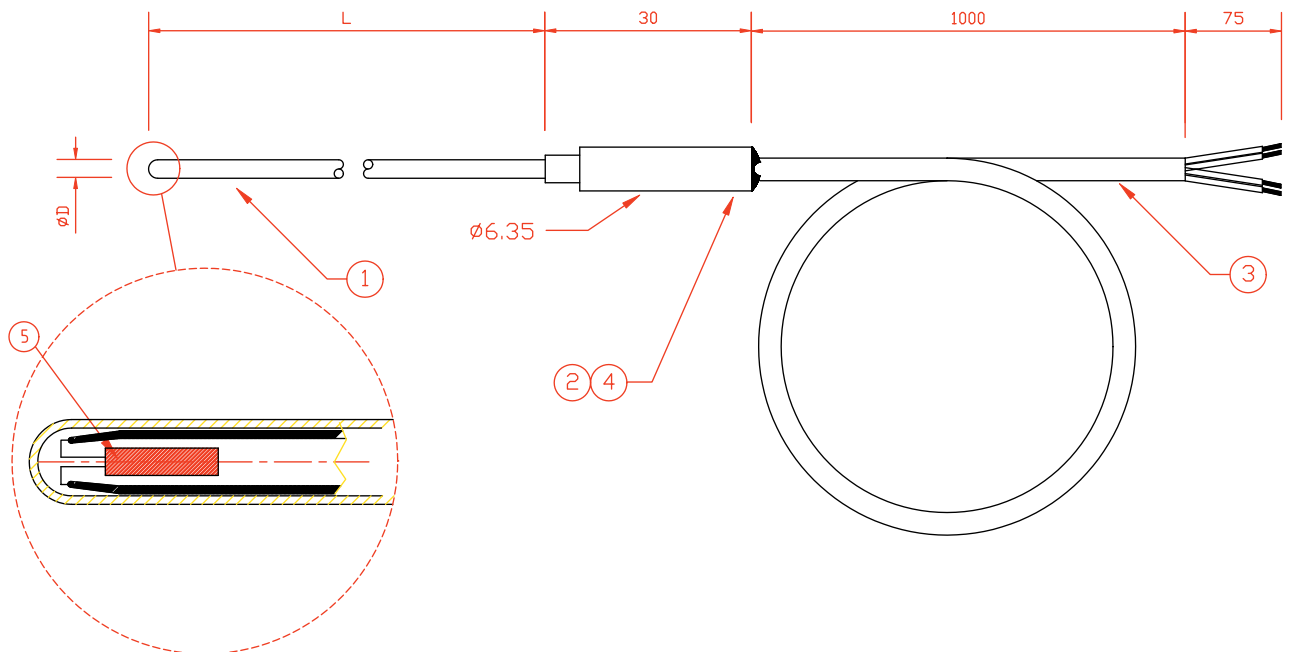
Specifications

Sensor type	Pt100, class B, 4 wire to IEC60751
Probe material	Stainless steel 310, mineral insulated conductors, welded tip
Tip temperature rating	-50°C to 500°C
Termination	Flying lead & tails
Extension cable	PTFE insulated, screened, 4 core, 1 metre

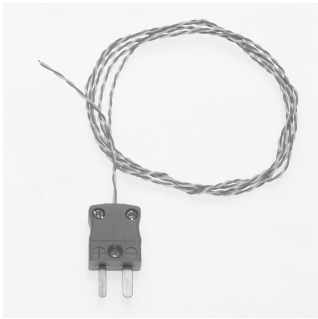
Dimensions & Codes

Probe length	Probe dia.	Farnell Code	Lab Code
3mm	150mm	4100694	XF-316-FAR
3mm	250mm	4100700	XF-317-FAR
6mm	150mm	4100712	XF-318-FAR
6mm	250mm	4100724	XF-319-FAR

Data Ref: FAR2



Item	Farnell Part No.	D	L
A	410-0694	3	150
B	410-0700	3	250
Item	Farnell Part No.	D	L
D	410-0712	6	150
E	410-0724	6	250



Exposed, Welded Tip Thermocouples with Fitted Mini-Plugs

Types J,K & T, PTFE insulated thermocouple wire with welded junction and fitted miniature plug

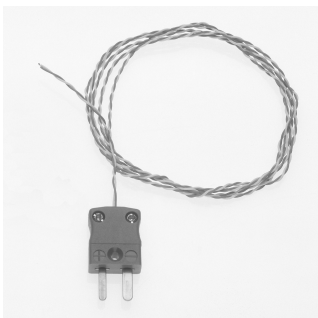
Specifications

Sensor type	Thermocouple type J,K or T to IEC 60584. Exposed, Welded junction.
Tip temperature Rating	-75°C to 250°C (limited by PTFE insulation properties)
Wire type	Twin, twist pair, PTFE insulated over 1/0.2mm conductors, 1 metre
Termination	Colour coded miniature plug

Dimensions & Codes

Thermocouple Type	Farnell Code	Lab Code
Type J x 1m	4100736	XF-320-FAR
Type K x 1m	4100748	XF-321-FAR
Type T x 1m	4100750	XF-322-FAR

Data Ref: FAR3



Exposed, Welded Tip Thermocouple with fitted Mini-plugs

Types J & K, Glassfibre insulated thermocouple wire with welded junction and fitted miniature plug

Specifications

Sensor Type	Thermocouple type J or K to IEC60584. Exposed, welded junction.
Tip temperature Rating	-50°C to +350°C (limited by glassfibre insulation properties)
Wire type	Twin, twist pair, silicone varnished glassfibre insulated over 1/0.315mm conductors, 2 metre
Termination	Colour coded miniature plug

Dimension & Codes

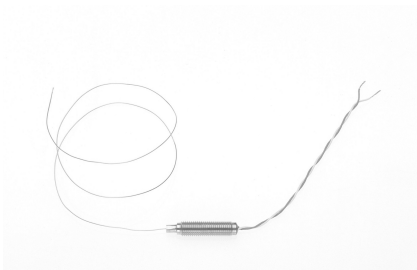
Thermocouple type	Farnell Code	Lab Code
Type J x 2m	4100761	XF-323-FAR
Type K x 2m	4100773	XF-324-FAR

Data Ref: FAR4



Industrial, Mineral Insulated Thermocouples

Type K, Mineral insulated, flexible, stainless steel sheathed thermocouple probe with PTFE insulated tails



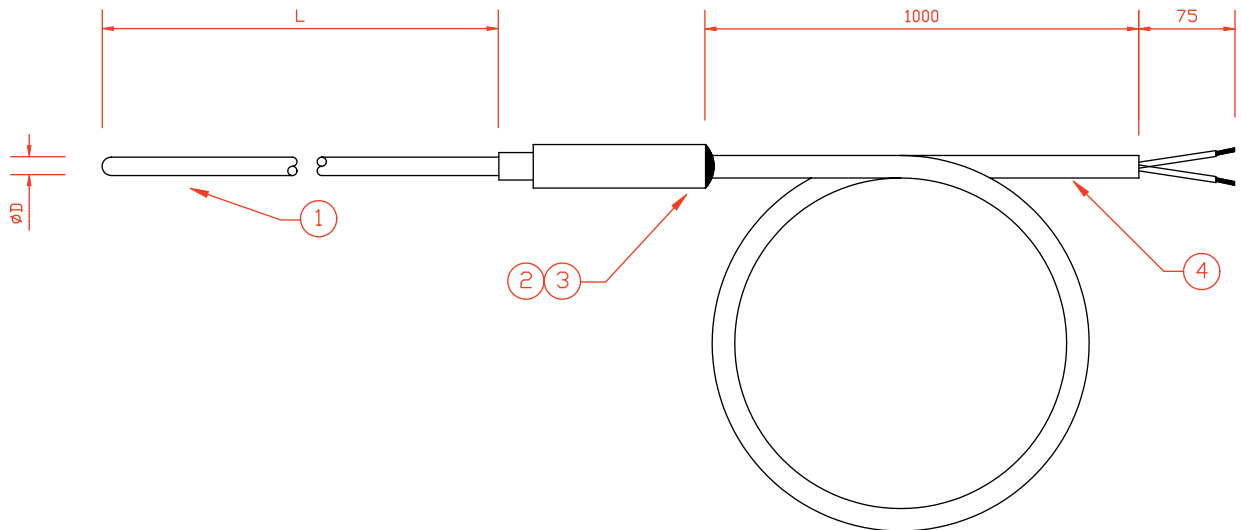
Specifications

Sensor Type	Thermocouple type K to IEC60584
Probe material	310 stainless steel with welded tip. Mineral insulated conductors with insulated junction
Tip temperature Rating	-40°C to 1100°C
Probe termination	Pot seal, M8 x 1.0mm thread, 25mm long
Pot temperature Rating	200°C maximum
Termination lead	PTFE insulated tails, 7/0.2mm, 100mm long

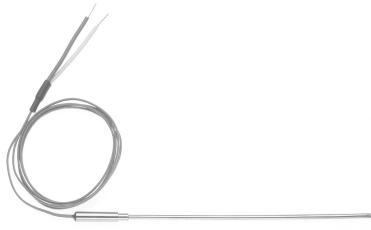
Dimensions & Codes

Probe dia (mm)	Probe length (mm)	Farnell Code	Lab Code
0.5	250	4248170	XF-327-FAR
0.5	500	4248181	XF-328-FAR

Data Ref: FAR5a



Item	Farnell Part No.	D	L
A	424-8193	1.5	150
B	424-8200	1.5	250
C	424-8211	3	150
D	424-8223	3	250
E	424-8235	6	150
F	424-8247	6	250



Industrial, Mineral Insulated Thermocouples, PTFE lead

Type K, mineral insulated, flexible, stainless steel sheathed thermocouple probe with PTFE insulated extension lead

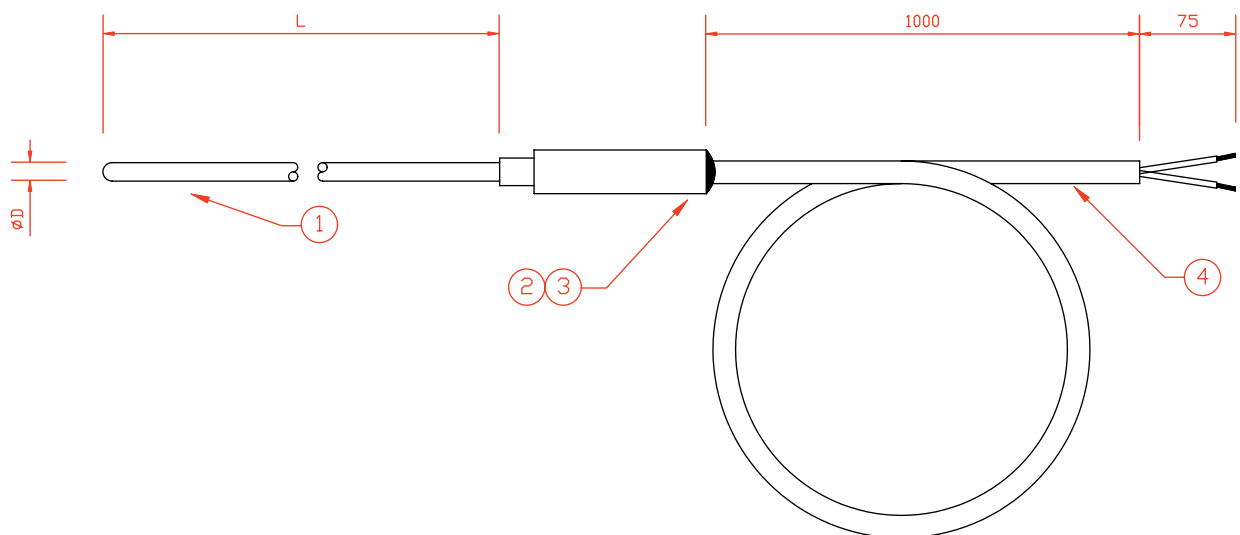
Specifications

Sensor Type	Thermocouple type K to IEC 60584
Probe Material	310 stainless steel with welded tip. Mineral insulated conductors with insulated junction
Tip Temperature Rating	-40°C to 1100°C
Probe termination	Plain pot seal
Pot temperature Rating	180°C
Termination	Flying lead & tails; PTFE insulated, 7/0.2mm, 1 metre

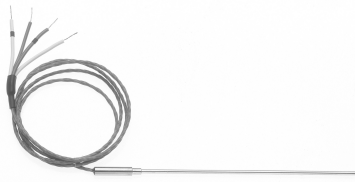
Dimensions and Codes

Probe dia (mm)	Probe length (mm)	Farnell Code	Lab Code
1.5	150	4248193	XF-329-FAR
1.5	250	4248200	XF-330-FAR
3.0	150	4248211	XF-331-FAR
3.0	250	4248223	XF-332-FAR
6.0	150	4248235	XF-333-FAR
6.0	250	4248247	XF-334-FAR

Data Ref: FAR5b



Item	Farnell Part No.	D	L
A	424-8193	1.5	150
B	424-8200	1.5	250
C	424-8211	3	150
D	424-8223	3	250
E	424-8235	6	150
F	424-8247	6	250



Duplex, Industrial, Mineral Insulated Thermocouples, PTFE Lead

Dual element, Type K, mineral insulated, flexible stainless steel sheathed thermocouple probe with PTFE insulated extension lead

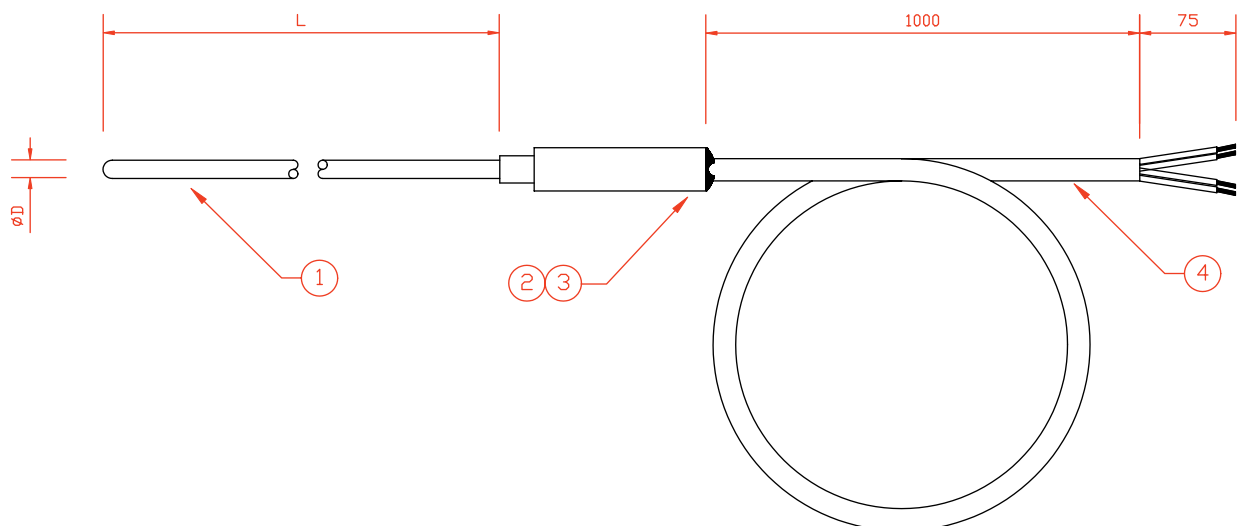
Specifications

Sensor Type	Thermocouple type K to IEC 60584
Probe material	310 stainless steel with welded tip. Mineral insulated conductors with dual, insulated junctions
Tip temperature Rating	-40°C to +1100°C
Probe termination	Plain pot seal
Pot temperature Rating	180°C
Termination	Flying lead & tails; PTFE insulated, 7/0.2mm, 1 metre

Dimensions & Codes

Probe dia (mm)	Probe length (mm)	Farnell Code	Lab Code
3.0	150	4248259	XF-335-FAR
3.0	250	4248260	XF-336-FAR
6.0	150	4248272	XF-337-FAR
6.0	250	4248284	XF-338-FAR

Data Ref: FAR6



Item	Farnell Part No.	D	L
A	424-8259	3	150
B	424-8260	3	250
C	424-8272	6	150
D	424-8284	6	250



Industrial Mineral Insulated Thermocouples, fitted miniature plug

Type K, mineral insulated, flexible, stainless steel sheathed thermocouple probe directly terminated in a miniature plug

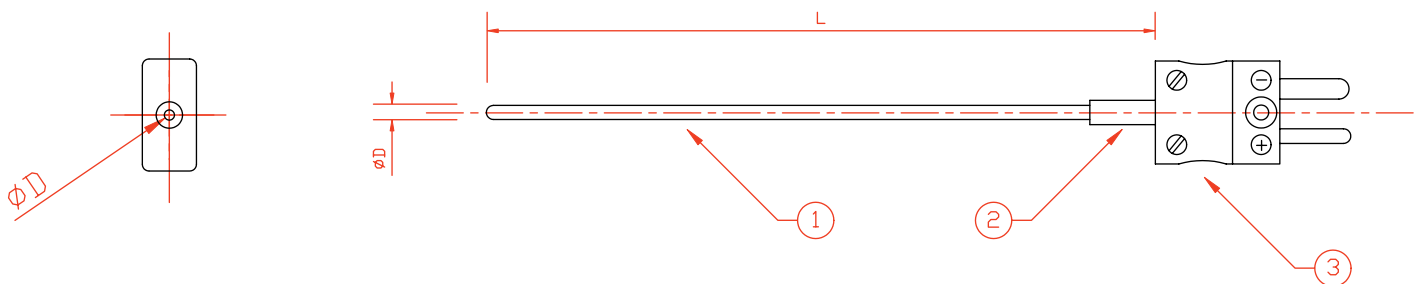
Specifications

Sensor Type	Thermocouple type K to IEC 60584
Probe material	310 stainless steel with welded tip. Mineral insulated conductors with insulated junction.
Tip Temperature Rating	-40°C to 1100°C
Probe termination	Fitted miniature compensating plug
Termination Temperature rating	220°C max.

Dimensions & Codes

Probe dia (mm)	Probe length (mm)	Farnell Code	Lab Code
0.5	150	4248296	XF-339-FAR
0.5	250	4248302	XF-340-FAR
1.5	150	4248314	XF-341-FAR
1.5	250	4248326	XF-342-FAR
3.0	150	4248338	XF-343-FAR
3.0	250	4248340	XF-344-FAR

Data Ref: FAR7



Item	Farnell Part No.	D	L
A	424-8296	0.5	150
B	424-8302	0.5	250
C	424-8314	1.5	150
D	424-8326	1.5	250
E	424-8338	3.0	150
F	424-8340	3.0	250



Industrial, Mineral Insulated Thermocouples, fitted standard plug

Type K, mineral insulated, flexible, stainless steel sheathed thermocouple probe directly terminated in a standard plug

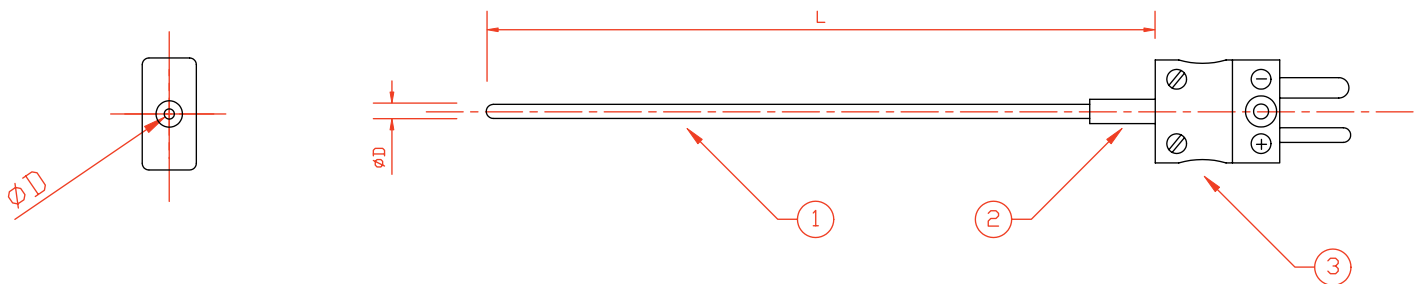
Specifications

Sensor Type	Thermocouple type K to IEC60584
Probe material	310 stainless steel with welded tip. Mineral Insulated conductors with insulated junction
Tip temperature Rating	-40°C to +1100°C
Probe termination	Fitted standard compensating plug
Termination Temperature rating	220°C max

Dimensions & Codes

Probe dia (mm)	Probe length (mm)	Farnell Code	Lab Code
1.5	150	4248351	XF-345-FAR
1.5	250	4248363	XF-346-FAR
3.0	150	4248375	XF-347-FAR
3.0	250	4248387	XF-348-FAR
6.0	150	4248399	XF-349-FAR
6.0	250	4248405	XF-350-FAR

Data Ref: FAR8

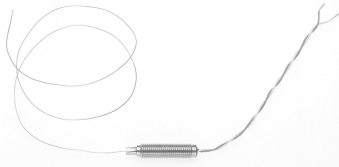


Item	Farnell Part No.	D	L
A	424-8351	1.5	150
B	424-8363	1.5	250
C	424-8375	3.0	150
D	424-8387	3.0	250
E	424-8399	6.0	150
F	424-8405	6.0	250



Industrial Mineral Insulated Thermocouple with Grounded Junction

Type K, mineral insulated flexible stainless steel sheathed thermocouple probe with grounded junction (welded to tip). PTFE tails



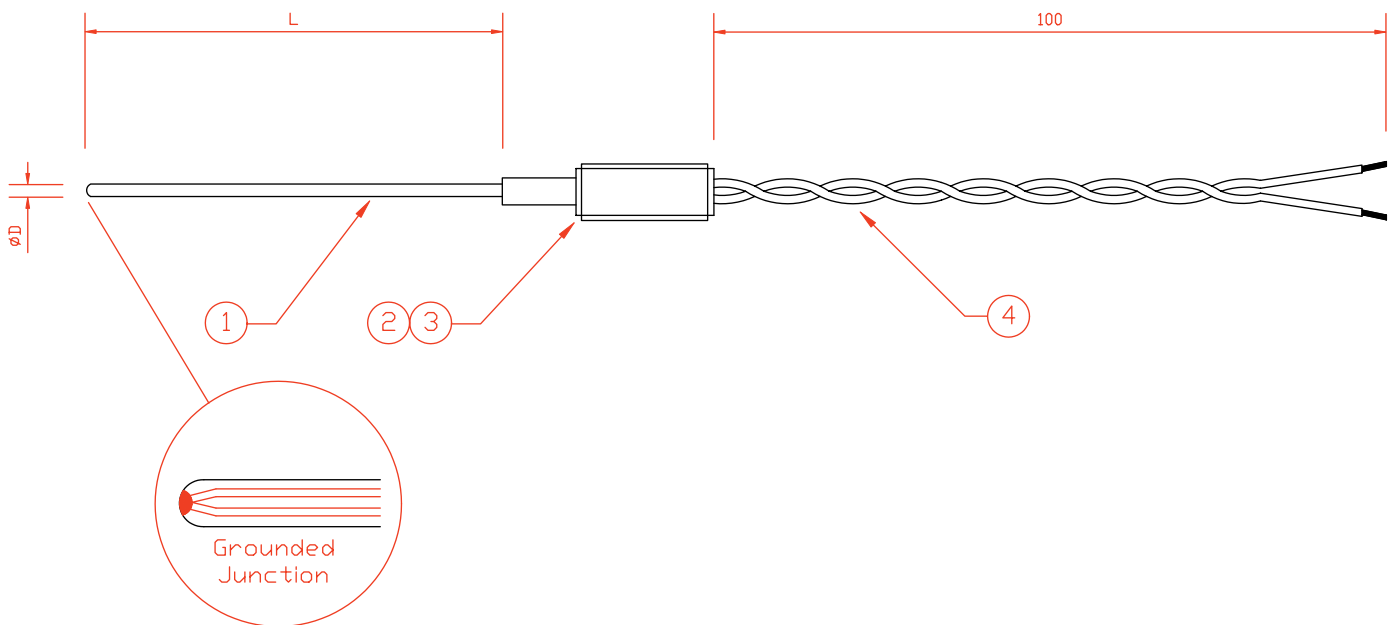
Specification

Sensor Type	Thermocouple type K to IEC 60584
Probe material	310 stainless steel with welded tip. Mineral Insulated conductors with grounded junction
Tip temperature Rating	-40°C to +1100°C
Probe termination	Pot seal, M8 x 1.0mm thread, 25mm long
Pot temperature Rating	200°C max
Termination lead	PTFE insulated tails, 7/0.2mm, 100mm long

Dimensions & Codes

Probe dia (mm)	Probe length (mm)	Farnell Code	Lab Code
0.5	150	4248417	XF-351-FAR
0.5	250	4248429	XF-352-FAR
0.5	500	4248430	XF-353-FAR

Data Ref: FAR9



Item	Farnell Part No.	D	L
A	424-8417	0.5	150
B	424-8429	0.5	250
C	424-8430	0.5	500



Industrial Mineral Insulated Thermocouples, with Grounded Junction & Fitted Miniature Plug

Type K, mineral insulated, flexible, stainless steel sheathed thermocouple probe with grounded junction (welded to tip) and fitted miniature plug

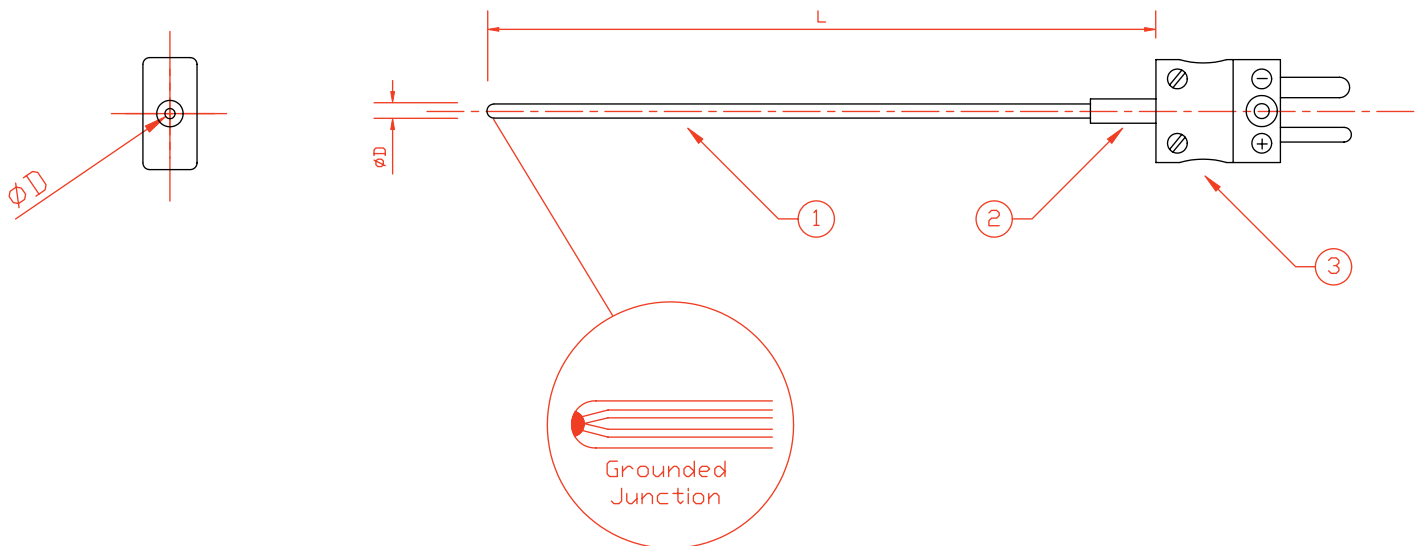
Specification

Sensor Type	Thermocouple type K to IEC 60584
Probe material	310 stainless steel with welded tip. Mineral insulated conductors with grounded junction
Tip temperature Rating	-40°C to +1100°C
Probe termination	Fitted, miniature compensating plug
Termination Temperature rating	220°C max

Dimensions & Codes

Probe dia (mm)	Probe length (mm)	Farnell Code	Lab Code
0.5	150	4248442	XF-354-FAR
0.5	250	4248454	XF-355-FAR

Data Ref: FAR10



Item	Farnell Part No.	D	L
A	424-8442	0.5	150
B	424-8454	0.5	250