



Main

| | |
|-------------------------------|---|
| Range of product | OsiSense XC |
| Series name | Standard format |
| Product or component type | Limit switch |
| Device short name | XCKS |
| Sensor design | - |
| Body type | Fixed |
| Head type | Rotary head |
| Material | Plastic |
| Body material | Plastic |
| Head material | Plastic |
| Fixing mode | By the body |
| Movement of operating head | Rotary |
| Type of operator | Spring return roller lever elastomer roller diameter 50 mm |
| Type of approach | Lateral approach, 1 or 2 programmable direction |
| Cable entry | 1 entry tapped for Pg 13.5 cable gland, cable outer diameter: 9...12 mm |
| Number of poles | 2 |
| Contacts type and composition | 1 NC + 1 NO |
| Contact operation | Slow-break, break before make |

Complementary

| | |
|---|---|
| Switch actuation | By 30° cam |
| Electrical connection | Screw-clamp terminals, clamping capacity: 1 x 0.5...2 x 2.5 mm ² |
| Contacts insulation form | Zb |
| Number of steps | 1 |
| Positive opening | Without |
| Minimum torque for tripping | 0.89 lbf.in (0.1 N.m) |
| Minimum actuation speed | 6 m/min |
| Maximum actuation speed | 1.5 m/s |
| Contact code designation | A300, AC-15 (U _e = 240 V), I _e = 3 A conforming to EN/IEC 60947-5-1 appendix A Q300, DC-13 (U _e = 250 V), I _e = 0.27 A conforming to EN/IEC 60947-5-1 appendix A |
| [I _{th} e] conventional enclosed thermal current | 10 A AC |
| [U _i] rated insulation voltage | 300 VUL 508 500 V 3)IEC 60947-1 300 VCSA C22.2 No 14 |
| Maximum resistance across terminals | 25 MOhm IEC 60255-7 category 3 |
| [U _{imp}] rated impulse withstand voltage | 6 kV IEC 60664 6 kV IEC 60947-1 |
| Short-circuit protection | 10 A cartridge fuse, type gG |
| Electrical durability | 5000000 Cycles, DC-13, inductive load type, 120 V, 4 W, operating rate <60 cyc/mn, load factor: 0.5 conforming to IEC 60947-5-1 appendix C 5000000 Cycles, DC-13, inductive load type, 24 V, 10 W, operating rate <60 cyc/mn, load factor: 0.5 conforming to IEC 60947-5-1 appendix C 5000000 cycles, DC-13, inductive load type, 48 V, 7 W, operating rate <60 cyc/mn, load factor: 0.5 conforming to IEC 60947-5-1 appendix C |
| Mechanical durability | 20000000 cycles |

| | |
|-------------------------------|------------------------|
| Maximum Width | 1.97 in (50 mm) |
| Height | 5.67 in (144 mm) |
| Depth | 2.64 in (67 mm) |
| Net Weight | 0.39 lb(US) (0.175 kg) |
| Terminals description ISO n°1 | (21-22)NC (13-14)NO |

Environment

| | |
|---------------------------------------|---|
| Shock resistance | 50 gn 11 ms IEC 60068-2-27 |
| Vibration resistance | 25 gn 10...500 Hz IEC 60068-2-6 |
| IP degree of protection | IP67 IEC 60529 IP66 IEC 60529 |
| IK degree of protection | IK05 conforming to EN 50102 |
| Electrical shock protection class | Class II IEC 61140 Class II NF C 20-030 |
| Overvoltage category | Class II conforming to IEC 61140 Class II NF C 20-030 |
| Ambient air temperature for operation | -13...158 °F (-25...70 °C) |
| Ambient air temperature for storage | -40...158 °F (-40...70 °C) |
| Protective treatment | TC |
| Product certifications | CCC UL CSA |
| Standards | CENELEC EN 50041 IEC 60204-1 UL 508 CSA C22.2 No 14 EN 60204-1 EN 60947-5-1 IEC 60947-5-1 |




Ordering and shipping details

| | |
|-----------------------|------------------------------------|
| Category | 22417 - LIMIT SWITCH, IEC, CLASSIC |
| Discount Schedule | T |
| GTIN | 03389110679571 |
| Nbr. of units in pkg. | 1 |
| Package weight(Lbs) | 0.39 lb(US) (0.18 kg) |
| Returnability | No |
| Country of origin | ID |

Packing Units

| | |
|------------------|----------|
| Package 1 Height | 0.550 dm |
| Package 1 width | 1.500 dm |
| Package 1 Length | 0.900 dm |

Offer Sustainability

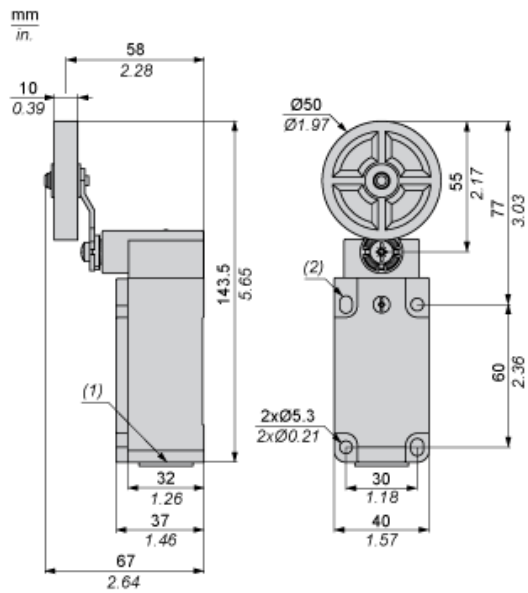
| | |
|----------------------------|---|
| Sustainable offer status | Green Premium product |
| California proposition 65 | WARNING: This product can expose you to chemicals including: Diisononyl phthalate (DINP), which is known to the State of California to cause cancer, and Di-isodecyl phthalate (DIDP), which is known to the State of California to cause birth defects or other reproductive harm. For more information go to www.P65Warnings.ca.gov |
| REACH Regulation |  REACH Declaration |
| EU RoHS Directive | Pro-active compliance (Product out of EU RoHS legal scope)  EU RoHS Declaration |
| Mercury free | Yes |
| RoHS exemption information |  Yes |

| | |
|--------------------------|---|
| Environmental Disclosure | Product Environmental Profile |
| Circularity Profile | End Of Life Information |

Contractual warranty

| | |
|----------|-----------|
| Warranty | 18 months |
|----------|-----------|

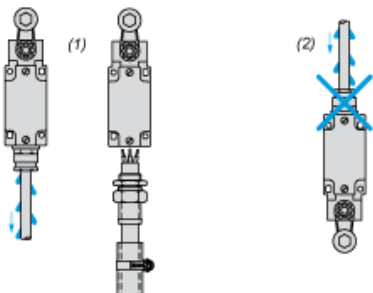
Dimensions



- (1) 1 tapped entry for Pg 13.5 cable gland
- (2) 2 elongated holes Ø 5.3 x 7.3.

Mounting with Cable Entry

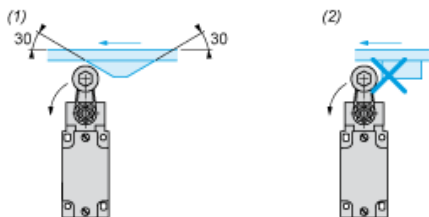
Position of Cable Gland



- (1) Recommended
- (2) To be avoided

Mounting with Rotary Heads and Levers

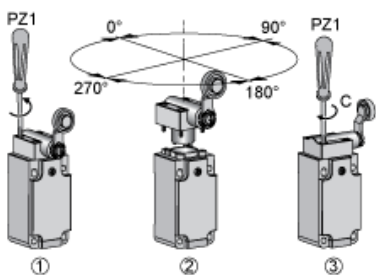
Type of Cam



- (1) Recommended
- (2) To be avoided

Setting-up

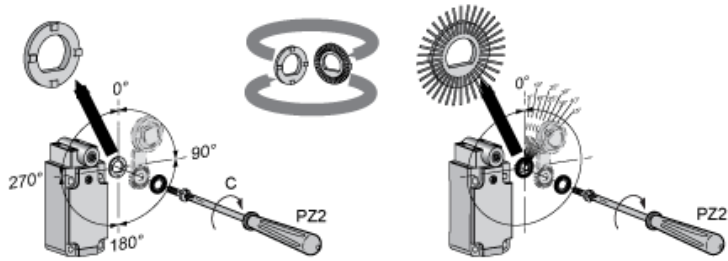
Head Rotation Adjustment



C : 1 Nm (+/- 20%) / 8.85 lb-in (+/- 20%)

Setting-up

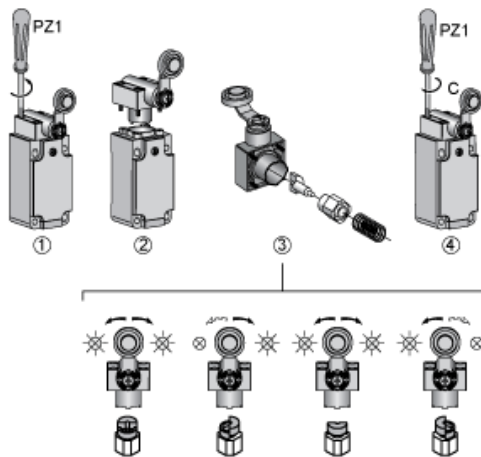
Lever Angle Adjustment



C : 1 Nm (+/- 20%) / 8.85 lb-in (+/- 20%)

Setting-up with Head ZCKD05

Direction of Actuation Programming



C : 1 Nm (+/- 20%) / 8.85 lb-in (+/- 20%)

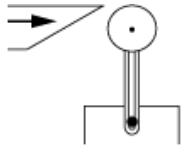
Wiring Diagram

2-pole NC + NO Break Before Make, Slow Break



Characteristics of Actuation

Switch Actuation by 30° Cam



Functionnal Diagram

