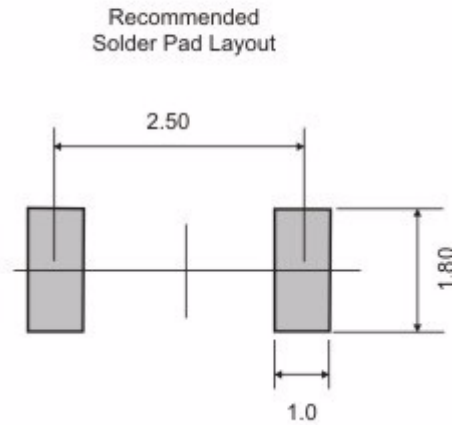
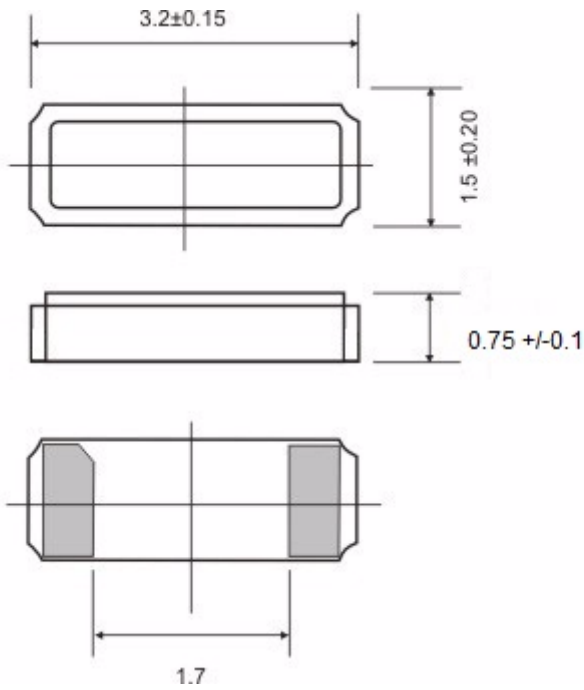




SPECIFICATION CONTROL DRAWING Crystal Resonator

FREQUENCY
32.768000kHz



<p>Holder Style Mode Adjustment Tolerance Temperature Stability Operating Temp. Range Load Capacitance ESR Drive Level Static Capacitance (C0) Ageing Marking</p>	<p>3,2 x 1,5mm Fundamental ± 20PPM at 25°C ± -.03 PPM -40°C to +85°C 9 pF 70000 Ohm 1.0uW Max mW 1.0pF Typ pF +/-3ppm 1st year at 25Deg D09YWW</p>
-----------------------------------------------------------------------------------------------------------------------------------------------------------------------------------------------------------	--------------------------------------------------------------------------------------------------------------------------------------------------------------------------------------------

Amdt Date	Change Note	AEL Code		
13 FEB 15	Specification updated.	X32K768S067		
27 JUN 16	Marking Updated	<table border="1" style="width: 100%; border-collapse: collapse;"> <tr> <th style="text-align: left; padding: 2px;">Issue Ref</th> <td style="text-align: center; padding: 2px;">C</td> </tr> </table>	Issue Ref	C
Issue Ref	C			