



# MICRO SWITCH

FREEPORT, ILLINOIS, U.S.A.  
A DIVISION OF HONEYWELL

FED. MFG. CODE 91929

# SWITCH-BASIC

CATALOG LISTING

## WZ-2RD19-D1

WZ-2RD19-D1  
PAGE 1 OF 1  
REPLACES

M  
DRAWING NUMBER

7  
ISSUE

REVISIONS

A	CO15200
M B F	4 FEB 66
B	CO 63526
D C S	18 JUN 88
C	CO 77589
Y S M	29 MAR 94
D	CO93346
DLT	4 SEP 98

CHECK

14 FEB 66

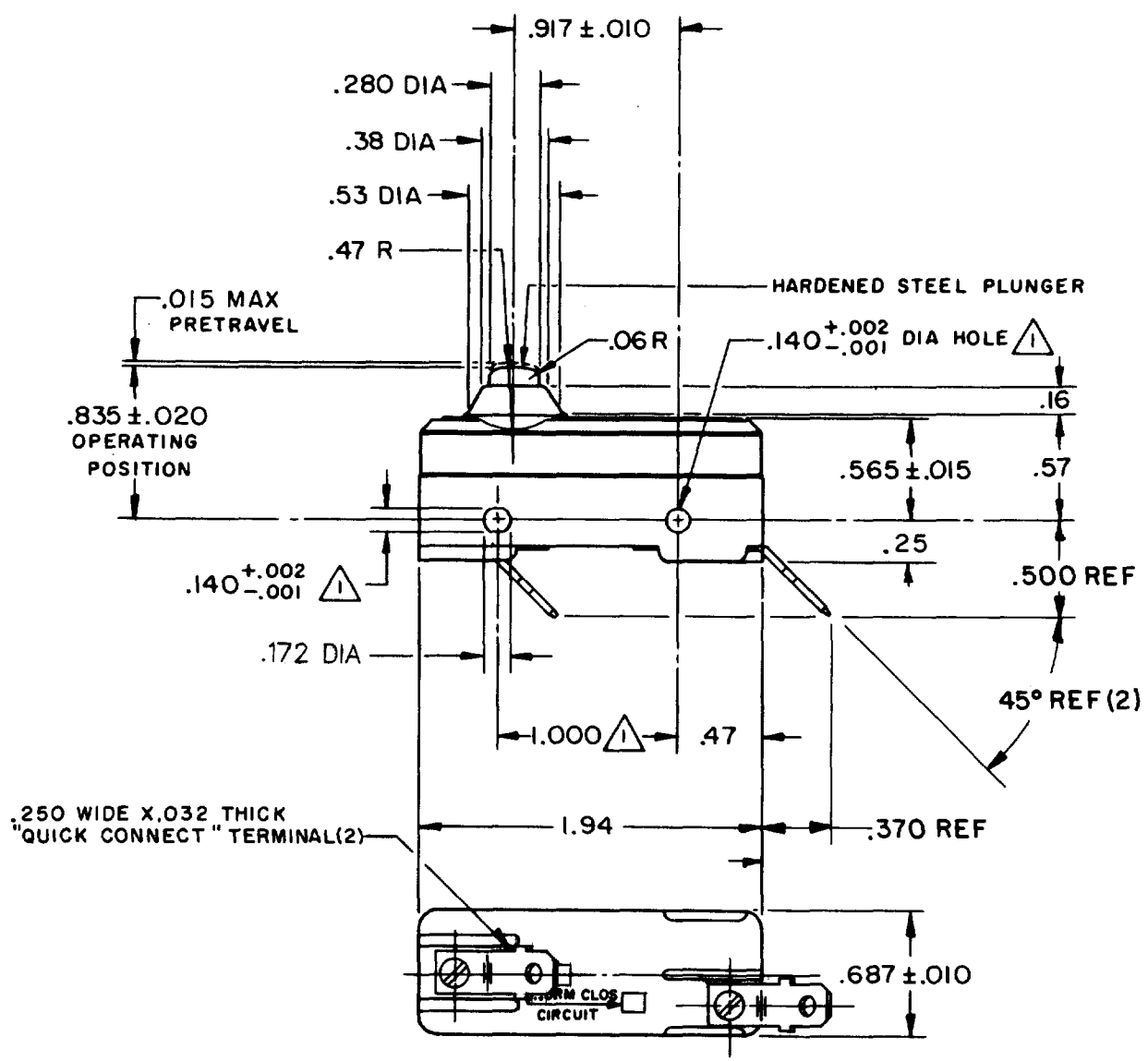
LSD

FORMTEK  
FO-50378

M B F  
4 FEB 66

DRAWN

CHECK



NOTE  
 MOUNTING HOLES WILL ACCEPT PINS OR SCREWS  
 OF .139 MAX DIA ON 1.000 ± .002 CENTERS

THIS DRAWING COVERS A PROPRIETARY ITEM AND IS THE PROPERTY OF MICRO SWITCH, A DIVISION OF HONEYWELL. THIS DRAWING IS NOT TO BE COPIED OR USED WITHOUT THE APPROVAL OF MICRO SWITCH.

CHARACTERISTICS	ELECTRICAL DATA	SCALE FULL
OPERATING FORCE — — — — 9-13 OZ	CONTACT ARRANGEMENT S P N C	DO NOT SCALE PRINT
RELEASE FORCE — — — — 4 OZ MIN	UL LISTED - FILE E12252	UNLESS OTHERWISE NOTED
DIFFERENTIAL TRAVEL — — .0004 - .0020	CODE L88 15A-125, 250 OR 480 VAC	DIMENSIONS ARE IN INCHES
OVERTRAVEL — — — — .060 MIN	1/3HP-125 OR 250 VAC	<b>TOLERANCES ARE:</b>
	1/2A-125 VDC; 1/4A-250 VDC	ONE PLACE (.0) ±.030
	L288	TWO PLACE (.00) ±.015
	L299	THREE PLACE (.000) ±.005
	L306 16A 250V  T85 5E4	ANGLES ±
		WEIGHT .056 LB