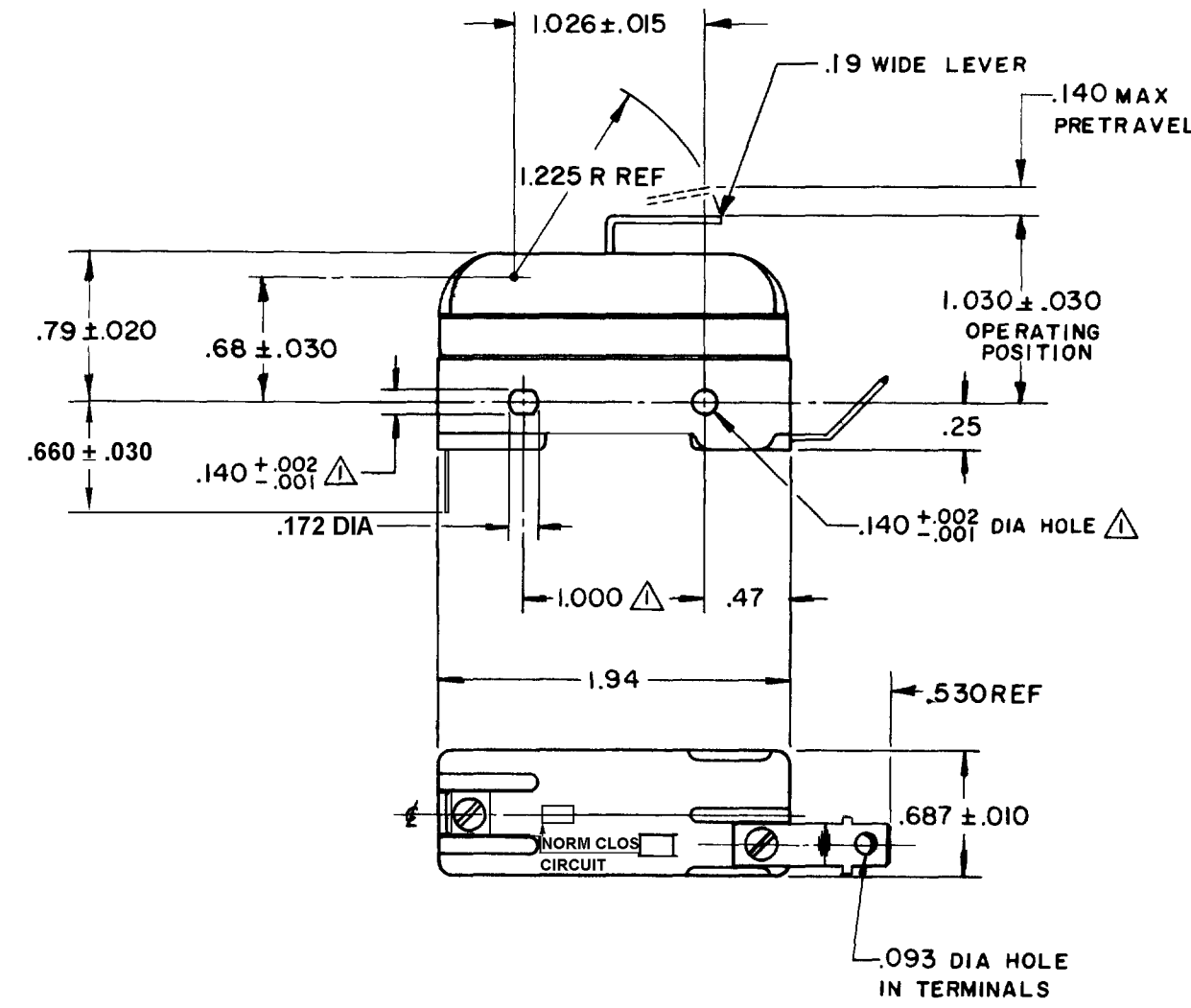


HONEYWELL
PART NUMBER
WZ-1RW84354-D690
AVB5001

REV	DOCUMENT	CHANGED BY	CHECK
A	0009467	KSR 18NOV04	AK



NOTE:
1 MOUNTING HOLES WILL ACCEPT PINS OR SCREWS OF .139 MAX DIA ON 1.000 ± .002 CENTERS.

REPLACES: X115770-WZ

CHARACTERISTICS		ELECTRICAL DATA		DESIGN UNITS: INCH TOLERANCES UNLESS NOTED:			DRAWN: KSR 18NOV04 CHECK: AK 18NOV04			Honeywell TITLE: SWITCH - BASIC			
OPERATING FORCE --- 3/4 OZ MAX		CONTACT ARRANGEMENT S P N C		NO PLACE X ± 0.040 ONE PLACE .X ± 0.030 TWO PLACE .XX ± 0.015 THREE PLACE .XXX ± 0.005 FOUR PLACE .XXXX ± 0.0005 ANGLES ± 2			THIS DRAWING COVERS A PROPRIETARY ITEM AND IS THE PROPERTY OF HONEYWELL. THIS DRAWING IS NOT TO BE COPIED OR USED WITHOUT THE PERMISSION OF HONEYWELL.						SIZE: B
DIFFERENTIAL TRAVEL --- .015 MAX OVERTRAVEL --- .109 MIN		UNDERWRITERS' LAB. INC. LISTED RATING 10 A - 125, 250 OR 480 VAC		THIRD ANGLE PROJECTION			INTERPRET PER ASME Y14.5M-1994 OTHER HONEYWELL ENGINEERING STANDARDS MAY APPLY			SCALE: 1:1		WEIGHT: .060 LB	SHEET: 1 OF 1
		-L8- -L288- -L299- -L306- CE D SI 16A 250V ~ T85 5E4					RASTER						