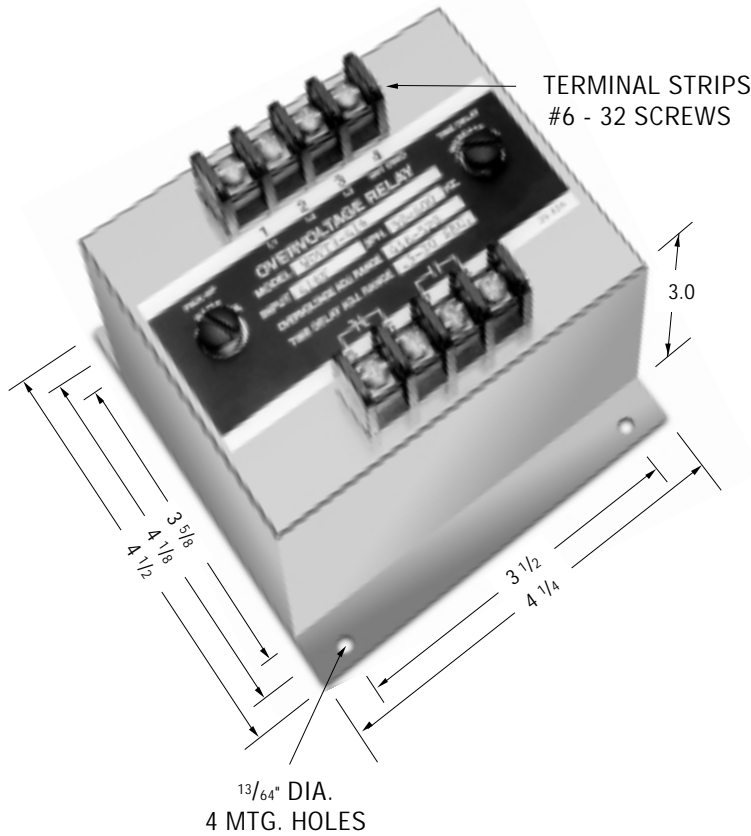


WILMAR™ Protective Relays – WUVT/WOVT Series



Note: Dimensions in inches. Multiply values by 25.4 for dimensions in mm.

PRODUCT SPECIFICATIONS	
Part Number	WUVT/WOVT
Nominal Voltage	100 VAC to 575 VAC
Phase	Single or Three
Line Frequency	50-400 Hz
Pick-up to Drop-out Differential	1% typical
Drop-out Point (u/v models)	70-100% of nominal voltage, screwdriver adjustable
Pick-Up Point (o/v models)	100-125% of nominal voltage, screwdriver adjustable
Output Contacts	One set N.O, One set N.C.
Contact Ratings	5 amp resistive at 120 VAC or 28 VDC
Operating Temperature Range	-40°C to +70°C
Power Consumption	3 VA maximum
Time Delay	0.5 to 20 seconds, screwdriver adjustable
Voltage Reset	The reset is automatic when voltage returns to normal.

Notes:

1. Remove black screws for access to the voltage and time delay adjustment potentiometer.
2. Clockwise rotation of the voltage adjust potentiometer will raise the voltage trip point.
3. Clockwise rotation of the time adjust potentiometer will increase the time delay (Pick-up time for O/V models, drop-out time for U/V models).
4. The adjustments are single turn potentiometers, use a small screwdriver and do not force beyond the limit stops.
5. On U/V models, when the voltage falls to approximately 33% of nominal or below, the relay will drop out in 0.150 to 0.300 seconds, regardless of the time delay setting.

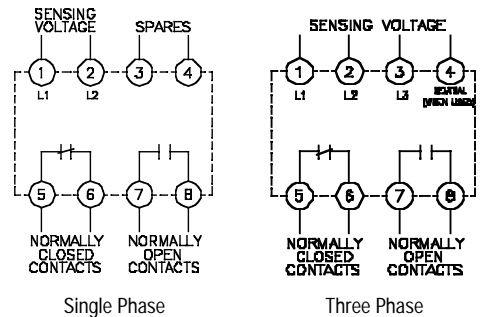
Function: 27/59

- ANSI/IEEE C37.90-1978
- UL file No. E58048
- CSA file No. LR61158



Undervoltage Models - The relay is energized at normal voltage, N.C. contacts will open and N.O. contacts will close. The relay will de-energize when the voltage drops and remains below the U/V set point for the duration of the set time delay.

Overvoltage Models - The relay is de-energized at normal voltages, N.C. contacts are closed and N.O. contacts are open. The relay will energize, when the voltage rises and remains above the O/V set point for the duration of the set time delay.



PART NUMBER SELECTION

Sample Part No. **WUVT-1-120**

Type: _____

WUVT - Undervoltage

WOVT- Overvoltage

No. Phases _____

1 = Single

3 = Three (line to line)

Line Voltage VAC _____

- 100 240
- 115 380
- 120 416
- 150 440
- 200 460
- 208 480
- 220 525
- 230 575

Options:

- Blank - Standard
- A = 2 Form A Contacts
- B = 2 Form B Contacts
- H = 125VDC 3A Contacts
- P = Transient Protection

Transient Protection - All voltage relays will withstand momentary voltage surges of twice the nominal rated input voltage (standard).

Option "P" provides additional transient protection which complies with the requirements of ANSI/IEEE C37.90-1978

Consult factory for additional models.