

PLEASE CHECK WWW.MOLEX.COM FOR LATEST PART INFORMATION

Part Number: [1200840017](#)
Status: **Active**
Overview: Brad® Ultra-Lock® Connection System
Description: Ultra-Lock® (M12) 5 Poles, Receptacle, Male, 1/2" - 14 NPT Mounting Threads, 22 AWG PVC Leads, 0.30m (11.81") Length

Documents:

[Drawing \(PDF\)](#) [RoHS Certificate of Compliance \(PDF\)](#)

Agency Certification

CSA LR6837

General

Product Family Industrial Receptacles
 Series [120084](#)
 IP Rating IP69K
 NEMA Rating NEMA 6
 Overview [Brad® Ultra-Lock® Connection System](#)
 Product Name Ultra-Lock® (M12)
 Type Single Ended (pigtail)
 UPC 78678888404

Physical

Coupling Type External Thread
 Gender Male
 Keyway Single
 Length 0.30m
 Material - Component Nickel-plated Brass
 Mounting Thread Size 1/2" - 14 NPT
 Orientation Straight
 Panel Mount Front
 Poles 5
 Temperature Range - Operating -25°C to +90°C
 Wire Size AWG 22
 Wire/Cable Type Leads, UL 1061

Electrical

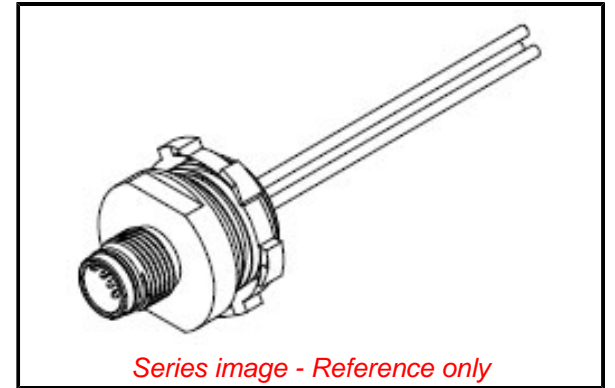
Current - Maximum per Contact 4.0A
 Voltage - Maximum 250V AC/DC

Material Info

Engineering Number WR5006A18C300

Reference - Drawing Numbers

Sales Drawing SD-120084-028



Series image - Reference only

EU ELV

Not Reviewed

EU RoHS

Not Reviewed

REACH SVHC

Not Reviewed

Halogen-Free

Status

Not Reviewed

Need more information on product environmental compliance?

Email productcompliance@molex.com
 Please visit the [Contact Us](#) section for any non-product compliance questions.

China ROHS

Not Reviewed

ELV

Not Reviewed

RoHS Phthalates

Not Reviewed

Search Parts in this Series

[120084 Series](#)