



Features

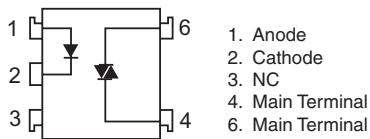
1. Compact dual-in-line package.
2. 600V peak blocking voltage.
3. Isolation voltage between input and output (Viso: 5000Vrms).

For 115/240 VRMS Application:

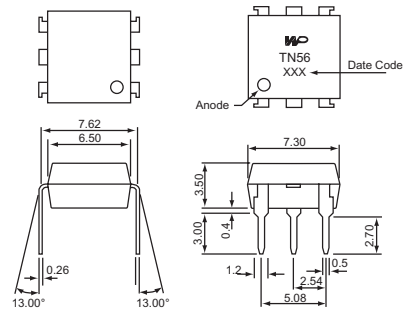
1. Solenoid/Valve Controls.
2. Lighting Controls.
3. Static Power Switches.
4. AC Motor Drives.
5. Temperature Controls.
6. E.M. Contactors.
7. AC Motor Starters.
8. Solid State Relays.
9. Programmable Controllers.
10. Available package types: DIP(shown), SMD, H (Page 147).

Part Numbering System: Page 2. **Part Marking System:** Page 3.

Schematic: Top View



Outside Dimension: Unit (mm)



TOLERANCE: ±0.2mm

Trigger LED Current

Example Part Number
WPPCT - N 15 6 6 D TRU

Options	Trigger Current(mA)
15	15 max.
10	10 max.
5	5 max.

Absolute Maximum Ratings

(Ta = 25°C)

Parameter		Symbol	Rating	Unit
Input	Forward Current	IF	50	mA
	Peak Forward Current	IFM	1	A
	Reverse Voltage	VR	6	V
	Power Dissipation	PD	70	mW
Output	Off-State Output Terminal Voltage	VDRM	600	Vpeak
	On-State R.M.S. Current	IT(RMS)	100	mA
	Peak Repetitive Surge Current (PW=10ms, DC 10%)	ITSM	1	A
	Power Dissipation	PD	300	mW
	Total Power Dissipation	Ptot	330	mW
Isolation Voltage 1 minute		Viso	5000	Vrms
Operating Temperature		Topr	-40 to +80	°C
Storage Temperature		Tstg	-50 to +125	°C
Solder Temperature 10 seconds		Tsol	260	°C

Electro-optical Characteristics

(Ta = 25°C)

Parameter		Symbol	Conditions	Min.	Typ.	Max.	Unit
Input	Forward Voltage	VF	IF = 10mA	-	1.2	1.4	V
	Peak Forward Voltage	VFM	IFM = 0.5A	-	-	3.5	V
	Reverse Current	IR	VR = 4V	-	-	10	uA
Output	Peak Blocking Current	IDRM	VDRM = 600V	-	-	100	nA
	On-State Voltage	VTM	ITM = 100mA	-	1.6	2.8	V
Transfer Characteristics	Holding Current	IH		-	0.1	-	mA
	Critical Rate of Rise of Off-State Voltage	dV/dt	VDRM = (1/√2) * Rated	600	1000	-	V/us
	Isolation Resistance	Riso	DC500V	5 x 10 ¹⁰	10 ¹¹	-	ohm
	Trigger LED Current (Standard, see above table for more options)	IFT	Main Terminal Voltage = 3V	-	-	15	mA
	Turn-On Time	TON	VD = 6V, RL = 100Ω, IF = 20mA	-	-	100	uS



Data Curves

