

Gas Discharge Tubes

2 Electrode Mini Series (2RM)

Part Numbering System | Specifications | Dimensions

Part Numbering System

WPGT - 2R 800 B 8 L C TA
① ② ③ ④ ⑤ ⑥ ⑦ ⑧

① World Products Gas Discharge Tubes

② Series Code
2RM = 2 Electrode Mini Series

③ DC Breakdown Voltage
70 = 70V 230 = 230V
75 = 75V 250 = 250V
90 = 90V 300 = 300V
120 = 120V 350 = 350V
130 = 130V 400 = 400V
145 = 145V 470 = 470V
150 = 150V 600 = 600V
180 = 180V 800 = 800V

④ Diameter ("D" Dimension)
A = 5.5mm – 2RM Series Only
B = 8mm

⑤ Length ("T" Dimension)
6 = 6mm
8 = 8mm – High Voltage Series Only

⑥ Lead Type
B = No Leads
L = Axial lead (0.8mm lead diameter)
L1 = Axial lead (1.0mm lead diameter)
A1 = Radial lead (0.8mm lead diameter)
B1 = Radial lead (1.0mm lead diameter)
C1 = Radial lead Clip -in style (1.0mm lead diameter)
D1 = Radial Lead Clip -in style (0.8mm lead diameter)

⑦ Low Capacitance
(Only applicable for 2R & 2N, 70V – 145V)
Nil = Regular Capacitance of 1.5pf
C = Low capacitance of 0.8pf

⑧ Taping Specifications
TA = Taped (Ammo Box)
TR = Tape & Reel

Specifications

Base Part Number	DC Breakdown Voltage (V)	Maximum Impulse Breakdown Voltage (V)		Maximum Impulse Discharge Current (8/20 μ s) (KA)		Alternating Discharge Current (A)		Impulse Life (10/1000μ s) (100A)	DC Holdover Voltage (V)	Minimum Insulation Resistance (G?)	Maximum Capacitance (pf)
		100V/μ s	1000V/μ s	1 time	10 times (5 times each polarity)	50Hz, 1 sec	Single 9 cycles				
WPGT-2RM70	70 ± 20%	700	800	10	5	5	20	300	52	1	1
WPGT-2RM75	75 ± 20%	700	800						52	1	1
WPGT-2RM90	90 ± 20%	600	700						52	1	1
WPGT-2RM120	120 ± 15%	600	700						52	1	1
WPGT-2RM130	130 ± 15%	600	700						52	1	1
WPGT-2RM145	145 ± 15%	600	700						52	1	1
WPGT-2RM150	150 ± 15%	600	700						52	1	1
WPGT-2RM180	180 ± 15%	600	700						80	1	1
WPGT-2RM230	230 ± 15%	600	700						80	1	1
WPGT-2RM250	250 ± 15%	600	700						80	1	1
WPGT-2RM300	300 ± 15%	700	900	150	1	1					
WPGT-2RM350	350 ± 15%	700	900	150	1	1					
WPGT-2RM400	400 ± 15%	800	1000	150	1	1					
WPGT-2RM470	470 ± 15%	1000	1200	150	1	1					
WPGT-2RM600	600 ± 20%	1300	1500	5	2.5	2.5	5	300	150	1	1
WPGT-2RM800	800 ± 20%	1500	1700						150	1	1
WPGT-2RM1000	1000 ± 20%	1600	1800	3	1.5	2	4	300	150	1	1
WPGT-2RM1200	1200 ± 20%	1800	2000						1	1	1
WPGT-2RM1400	1400 ± 20%	2200	2400						1	1	1
WPGT-2RM1600	1600 ± 20%	2400	2600						1	1	1
WPGT-2RM2000	2000 ± 20%	2800	3000						1	1	1
WPGT-2RM2500	2500 ± 20%	3300	3500						1	1	1
WPGT-2RM3000	3000 ± 20%	3800	4000						1	1	1
WPGT-2RM3500	3500 ± 20%	4300	4500						1	1	1
WPGT-2RM3600	3600 ± 20%	4400	4600						1	1	1

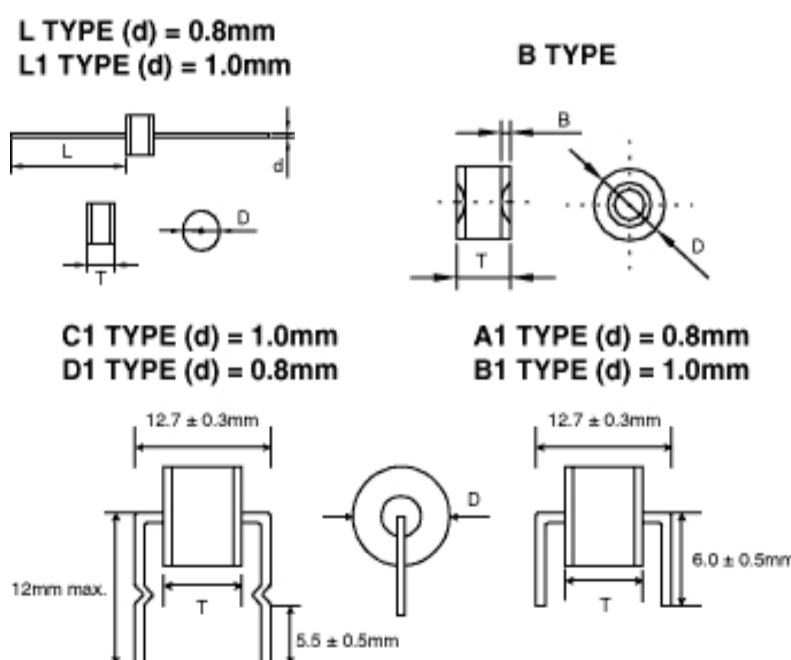
UL497B Recognized, File # E135015 (through WPGDT2RM800), voltage types higher than 800V are pending UL recognition.

*DC Breakdown Voltage	DC Measuring Voltage
70-90V	50V
120-400V	100V
470-800V	250V
1000-2000V	500V
2500-4000V	1000V

Dimensions

Unit: mm

Item	Dimensions
D	5.5 + 0.3
T	6.0 + 0.3
d	0.8 or 1.0 ±0.05
L	24 Min.



Gas Discharge Tubes
General Characteristics
Features
Temperature Rating
100% Inspection
RoHS Information
Solderability
Part Marking
Terms and Definitions

2 Electrode Mini (2RM)
2 Electrode Standard and High Voltage (2R)
2 Electrode High Current (2N)
2 Electrode Extremely High Current Series (20B)
2 Electrode Switching Series (2T)
3 Electrode Mini (3RM) and Standard (3R) Series
2 Electrode Surface Mount Mini (2SM), Surface Mount (2S), Surface Mount Mini Square (2SS) and Surface Mount Chip (4532) Series
3 Electrode Surface Mount Mini (3SM and 3SSM) Series

Packaging
Standard Bulk Packaging
Tape & Reel Specifications

Home