

## Category 6A IP68 feed-through coupler



### **Category 6A IP68 rated feed-through coupler (WACSG)**

This intuitive Category 6 IP68 coupler enables cable to be connected easily without the need for other special IP rated components. Robust and fire retardant it is suitable for any environment where dust and moisture are a concern.

#### **Features**

- Category 6A FTP coupler; also suitable for Category 5e and Category 6 installations
- IP68 rating means that the product is dust tight and can be immersed for up to 30 minutes in water up to 1m depth
- Suitable for cables with OD 5.0-7.5mm
- Ideal for use in dusty factories or in external environments such as stadiums, marinas and outside plant.

#### **Specifications**

- Weight: 45g
- Dimensions: 121.5x30x28mm
- Colour: Black
- Material: Nylon PA66 – high impact resistant and UL94V-0 flame retardant
- Accepts most RJ45 cable assemblies but not suitable for use with field assembly plugs (such as TUK code PGSMC)

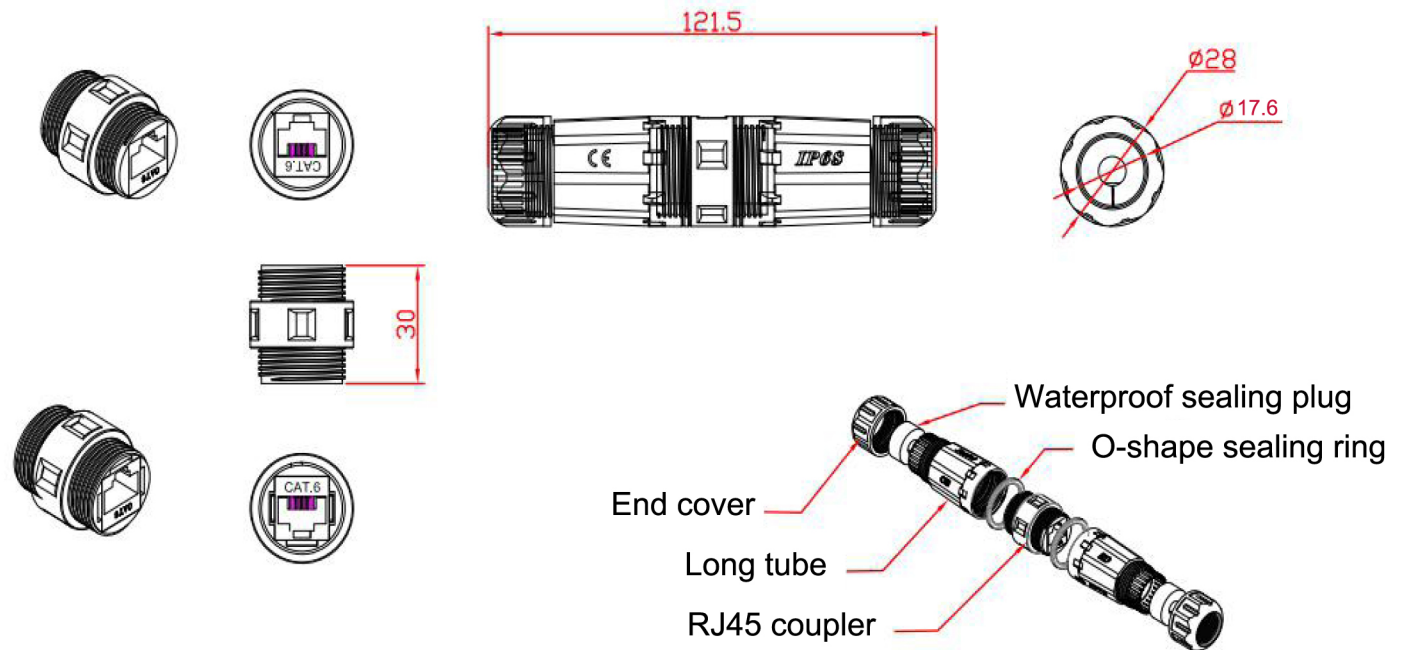
**Packaging:** Supplied in individual poly bags (WACSGpb) and also in individual cardboard boxes (WACSGbx)

**Commodity Code:** 85177090      **EAN Number:** 5055386507563



ROHS Compliant

Code: WACSG



NOTES:

ELECTRICAL:

1. VOLTAGE RATING:125 VAC RMS
2. CURRENT RATING:1.5AMP
3. CONTACT RESISTANCE:100MILLIOHMS MAX
4. INSULATION RESISTANCE:1000 MEGOHMS MIN @500 VDC
5. DIELECTRIC STRENGTH:750 VAC RMS 60Hz, 1MIN

ENVIRONMENTAL:

1. STORAGE:-40° TO +85°
2. OPERATION:0° TO 70°

MECHANICAL:

1. HOUSING MATERIAL:PA66
2. INSERT MATERIAL:FAME RETARDANCY PBT
3. PCB MATERIAL:FR-4 T=1.6mm
4. RJ45 JACK CONTACT: PHOSPHOR BRONZE WITH NICKEL PATING GOLD PLATED (3U/6U/15U/30U/50U)
5. RJ45 JACK LIFE:750 TIMES MIN
6. Waterproof grade:IP68

Tolerance

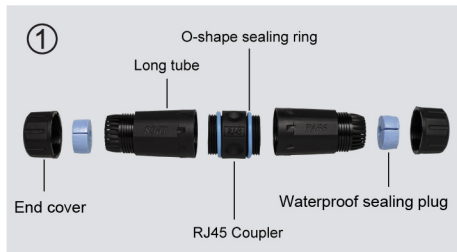
0.00-20.00	±0.10
20.00-50.00	±0.15
50.00-100.00	±0.20
100.00-	±0.25
Angle	±30°



# IP68 Category 6A Coupler Assembly Instructions



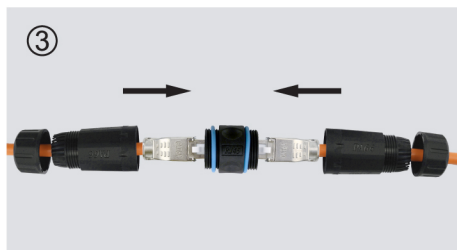
Code: **WACSG**



1. Contents: 2 pcs end covers, 2 pcs long tubes, 1 pc RJ45 coupler, 2 pcs O-shape sealing rings, 2 pcs waterproof sealing plugs.



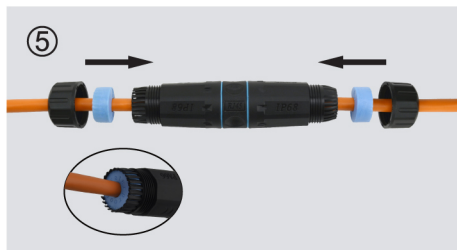
2. Pass the two cables through the end covers and the long tubes respectively.



3. Insert the patch cords into the RJ45 coupler.



4. Screw the long tubes tightly onto the RJ45 coupler.



5. Place the two waterproof plugs onto the cables, with the "waterproof" marking facing away from the centre, then slide the waterproof plugs into the ends of the long tubes.



6. Screw the end covers onto the long tubes. Finally check whether the waterproof plugs have a good fit with the cables.

Batch# 5967