

W59M-①-②-③

BODY CODE	FUNCTION DESCRIPTION	TERMINATION CODE	BEZEL TYPE DESCRIPTION	BUTTON COLOR CODE	BUTTON COLOR
1	MOMENTARY, METAL HOUSING	1	SOLDER TERMINALS	1	BLACK
				2	RED
				3	GREEN
				4	WHITE
				5	YELLOW
				6	BLUE
				7	ORANGE

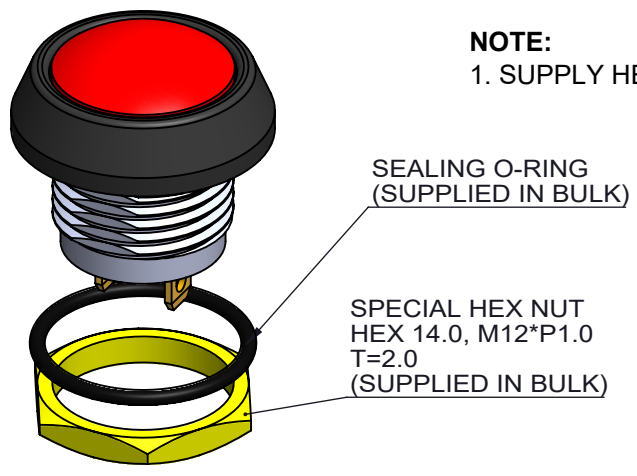
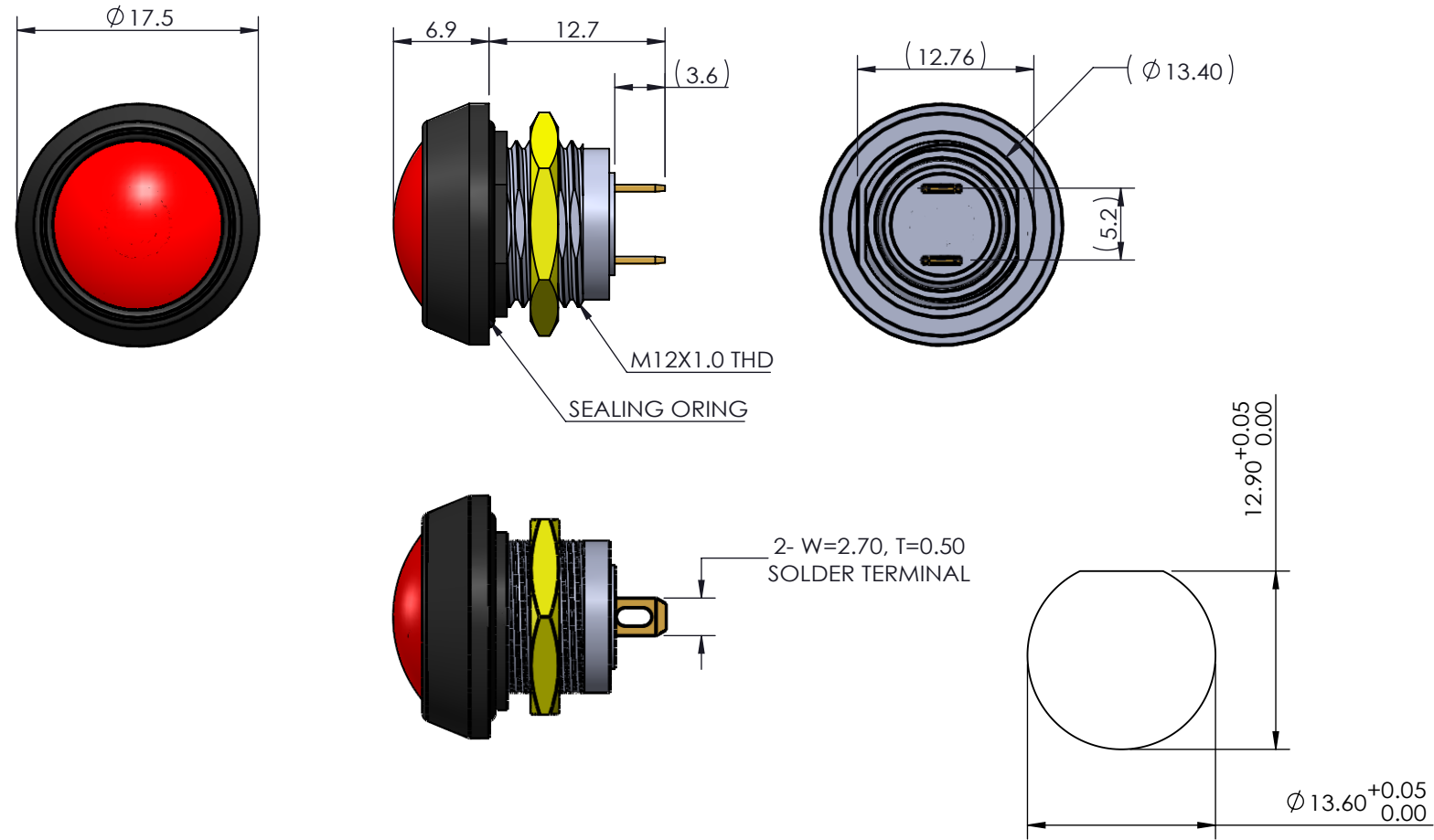
MECHANICAL CHARACTERISTICS:
 SWITCH CIRCUITRY: SPST-NO-DB
 SWITCH ACTION: MOMENTARY
 BUTTON TRAVEL: 2.3mm [.09] NOMINAL
 OPERATING FORCE: 306g [3N] NOMINAL
 PANEL THICKNESS: 1.5 - 3.0mm [.06 - .12]
 CONTACTS: GOLD PLATED
 LIFE(MECHANICAL): 100K CYCLES
 NUT TORQUE FORCE: MAX 6 kgf*cm [5.2 LB*in]

ENVIRONMENTAL SPECIFICATIONS:
 ACTUATOR INGRESS PROTECTION: IP67
 OPERATING TEMPERATURE: -55°C to +125°C [-67°F to +257°F]

ELECTRICAL SPECIFICATIONS:
 CURRENT RATINGS: 400mA@32VAC, 500K CYCLES NOMINAL
 125mA@125VAC, 500K CYCLES NOMINAL
 100mA@50VDC, 500K CYCLES NOMINAL

DIELECTRIC STRENGTH: 1,000VAC
 INSULATION RESISTANCE: 1G OHM
 CONTACT RESISTANCE: 50m OHMS MAX INITIAL

NOTE:
 1. SUPPLY HEX NET AND SEALING O-RING BULK IN PACKED



RECOMMENDED
PANEL CUT-OUT

DWG TYPE SALES DRAWING	DRAWN <i>e.e.</i>	TOLERANCES: UNLESS OTHERWISE NOTED X.X ± 0.5 X.XX ± 0.2 ANGULAR ±1°	DWG TITLE W59M-1 MECHANICAL MOMENTARY, METAL HOUSING BLACK, NONE ILLUMINATION							
STATUS RELEASE	REVIEW --	THIRD ANGLE PROJECTION 	DWG NO. W59M-11X							
<small>This document is the intellectual property of ITW Electronic Business Asia Co., Limited and may contain confidential, proprietary, privileged information protected by law. Neither this document nor any information it contains can be reproduced, transformed to any other format, or distributed, without written permission by ITW Electronic Business Asia Co., Limited. 本文作為安達維百電股份有限公司之智慧財產，非經許可不得翻取、複製、轉變成其他形式使用或散佈。</small>			DATE 2021.03.12	REF: --	<input checked="" type="checkbox"/> 管制文件 <input type="checkbox"/> 非管制文件	Unit mm	SCALE 2 : 1	REV 1	RoHS Compliant	SHEET 1 OF 2