

W4D400-CP12-30

AC axial fan with full round nozzle

sickled blades (S series)



ebm-papst Mulfingen GmbH & Co. KG

Bachmühle 2

74673 Mulfingen

Phone: +49 7938 81-0

Fax: +49 7938 81-110

www.ebmpapst.com

info1@de.ebmpapst.com

Nominal data

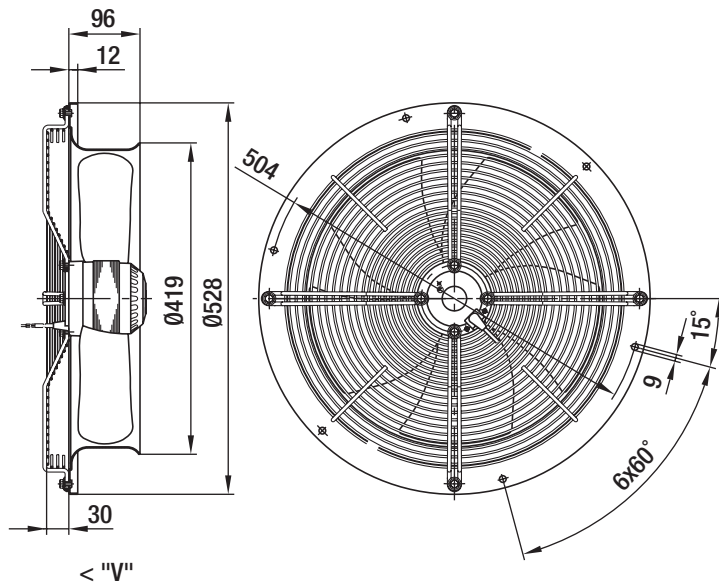
Type	W4D400-CP12-30				
Motor	M4D074-EI				
Phase		3~	3~	3~	3~
Nominal voltage	[V]	230	230	400	400
Connection		D	D	Y	Y
Frequency	[Hz]	50	60	50	60
Type of data definition		rfa	rfa	rfa	rfa
Valid for approval / standard		CE	CE	CE	CE
Speed	[min ⁻¹]	1450	1690	1450	1690
Power input	[W]	135	185	135	185
Current draw	[A]	0,76	0.68	0.44	0.39
Max. back pressure	[Pa]	150	120	150	120
Max. ambient temperature	[°C]	40	40	40	40
Air flow	[m ³ /h]	4000	4610	4000	4610
Back pressure	[Pa]	0	0	0	0
Sound pressure level	[dB(A)]	68	72	68	72

ml = max. load · me = max. efficiency · rfa = running at free air · cs = customer specs · cu = customer unit
Subject to alterations

Technical features

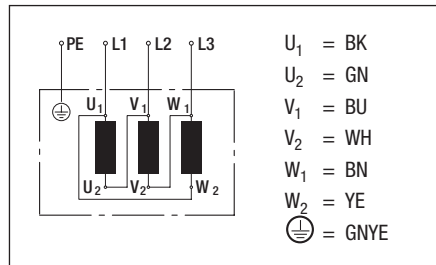
Size	400 mm
Operation mode	Continuous operation (S1)
Direction of rotation	Counter-clockwise, seen on rotor
Direction of air flow	"V"
Insulation class	"B"
Cable exit	Variable
Bearing motor	Ball bearing
Mass	4.2 kg
Material of electronics housing	Rotor: Coated in black
Material of impeller	Sheet steel, coated in black
Option	Available on request as 400 VAC (triangle/star) for 2 speed stages; with terminal box
Number of blades	5
Type of protection	IP 44 - depending on position
Protection class	I
Approval	CCC

Product drawing

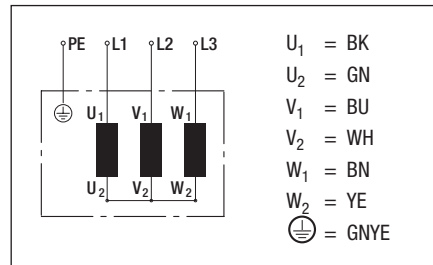


Connection screen

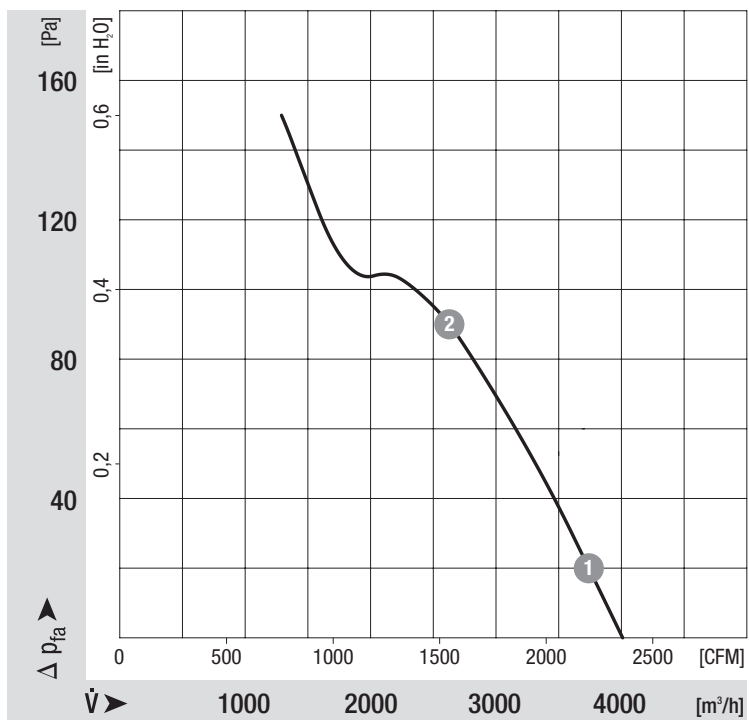
Delta (3~ 230 VAC)



Star (3~ 400 VAC)



Charts: Air flow 50 Hz



Measured values

	n	P ₁	I
	[min ⁻¹]	[W]	[A]
1	1440	152	0.47
2	1415	195	0.50

Charts: Air flow 60 Hz

