

W3G300-ER38-45

EC axial fan

sickled blades (S series)

Automotive



ebm-papst Mulfingen GmbH & Co. KG

Bachmühle 2

D-74673 Mulfingen

Phone: +49(0)7938/81-0

Fax: +49(0)7938/81-110

info1@de.ebmpapst.com

www.ebmpapst.com

Nominal data

Type	W3G300-ER38-45	
Motor	M3G074-CF	
Nominal voltage	[VDC]	27.5
Nominal voltage range	[VDC]	15 .. 32
Type of data definition		rfa
Speed	[min ⁻¹]	3320
Power input	[W]	335
Current draw	[A]	12.2
Max. ambient temperature	[°C]	70

ml = max. load · me = max. efficiency · rfa = running at free air · cs = customer specs · cu = customer unit
Subject to alterations

EC axial fan

sickled blades (S series)

Automotive

Technical features

Leakage current	<= 0.25 mA
Size	300 mm
Operation mode	S1
Direction of rotation	"A"
Electrical leads	With plug
Humidity class	F3-2
Insulation class	"B"
Cable exit	Lateral
Bearing motor	Ball bearing
Mass	2.5 kg
Material of impeller	PA/SPS plastic, color: black (in accordance with UL 94 HB) (wall ring of PP plastic)
Motor protection	Reverse polarity and locked-rotor protection
Number of blades	5
Type of protection	IP 24 KM
Approval	E1

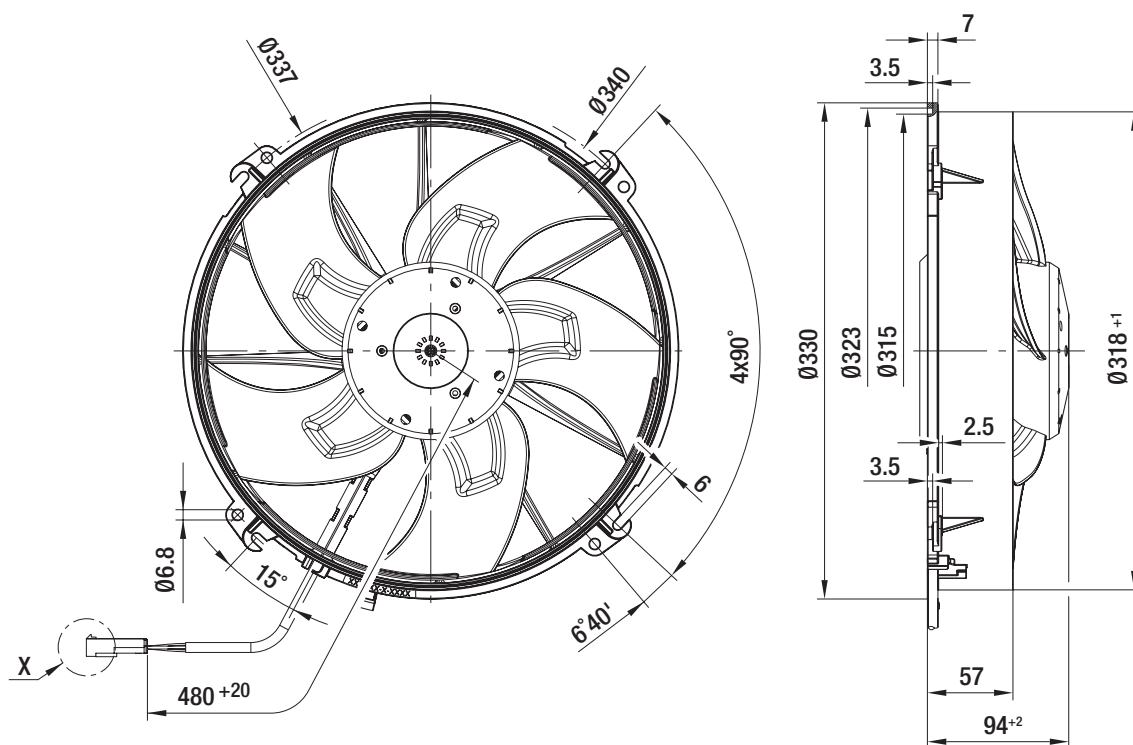
W3G300-ER38-45

EC axial fan

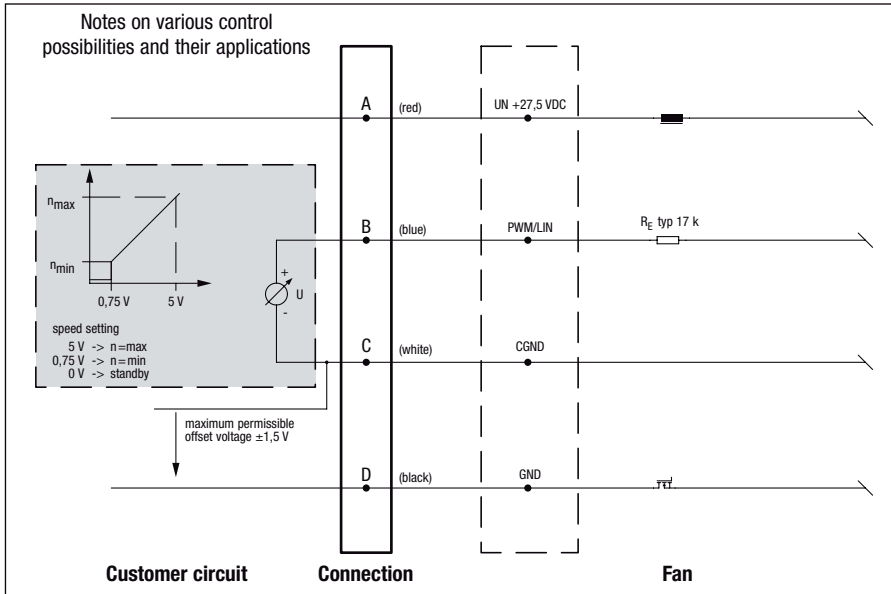
sickled blades (S series)

Automotive

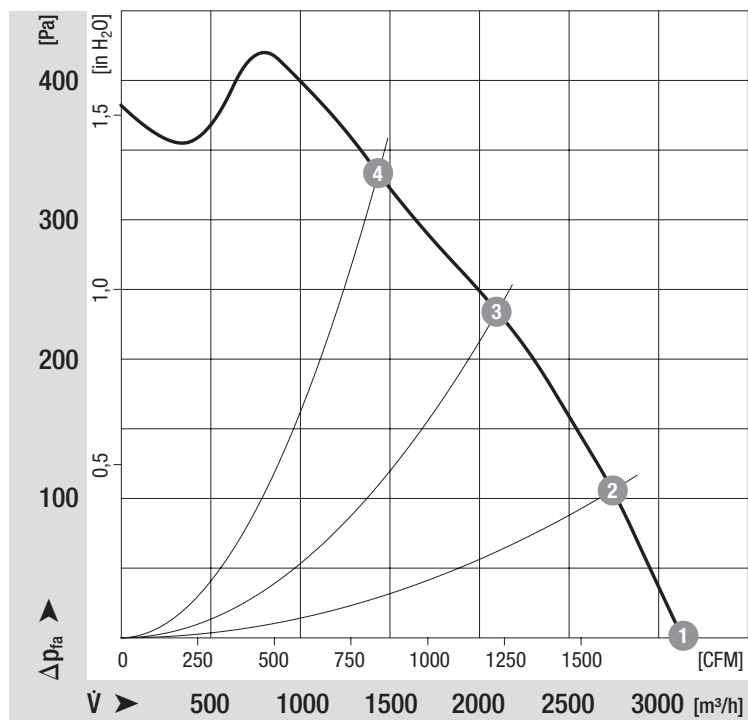
Product drawing



Connection screen



Charts: Air flow



Measured values

	n	P ₁	η_{Ges}
	[min ⁻¹]	[W]	[%]
1	3320	335	32
2	3295	354	42
3	3255	367	45
4	3180	406	35