

W1G208-BA35-52

# EC diagonal compact fan

sickled blades (S series)



**ebm-papst Mulfingen GmbH & Co. KG**

Bachmühle 2

74673 Mulfingen

Phone: +49 7938 81-0

Fax: +49 7938 81-110

[www.ebmpapst.com](http://www.ebmpapst.com)

[info1@de.ebmpapst.com](mailto:info1@de.ebmpapst.com)

## Nominal data

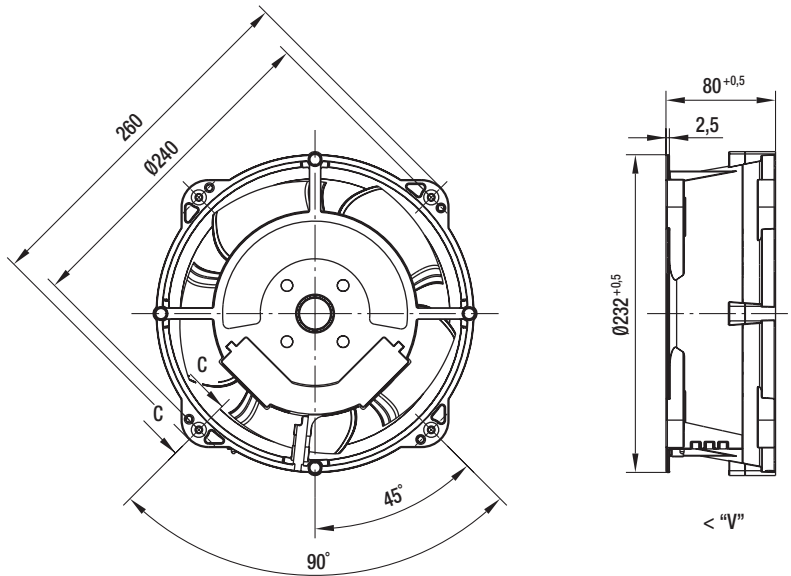
Type	W1G208-BA35-52	
Motor	M1G074-BF	
Nominal voltage	[VDC]	24
Type of data definition		rfa
Speed	[min <sup>-1</sup> ]	3500
Power input	[W]	96
Current draw	[A]	4.4
Max. back pressure	[Pa]	230
Min. ambient temperature	[°C]	-25
Max. ambient temperature	[°C]	72

ml = max. load · me = max. efficiency · rfa = running at free air · cs = customer specs · cu = customer unit  
Subject to alterations

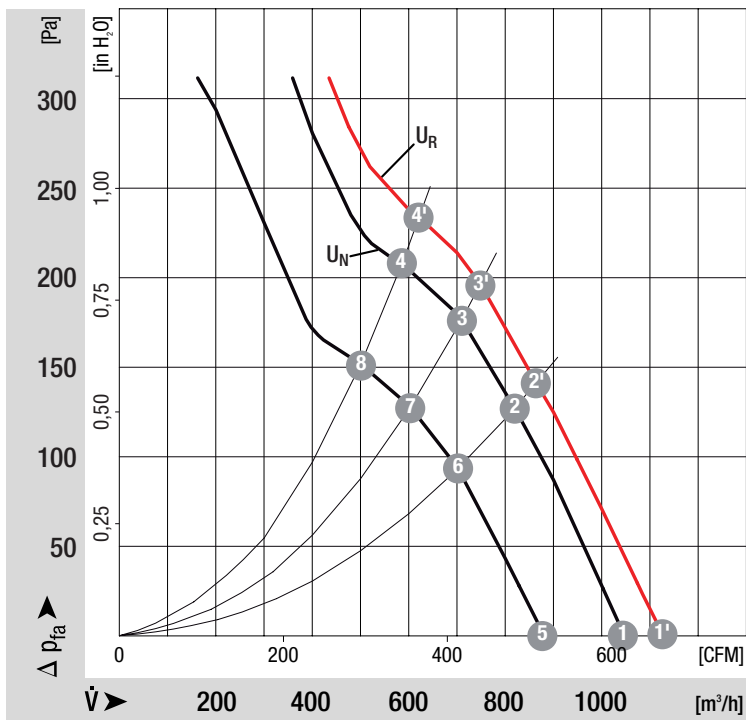
## Technical features

<b>Leakage current</b>	<= 0.25 mA
<b>Dimensions</b>	208 mm
<b>Size</b>	208 mm
<b>Operation mode</b>	Continuous operation (S1)
<b>Direction of rotation</b>	Counter-clockwise, seen on rotor
<b>Electrical leads</b>	Via terminal strip
<b>Insulation class</b>	"B"
<b>Cable exit</b>	Variable
<b>Bearing motor</b>	Ball bearing
<b>Mass</b>	2.3 kg
<b>Housing material</b>	Die-cast aluminum
<b>Material of impeller</b>	PA plastic
<b>Motor protection</b>	Reverse polarity and locked-rotor protection
<b>Type of protection</b>	IP 20
<b>Protection class</b>	I
<b>Technical features</b>	Control input 0-10 VDC / PWM, tach output, polarity and locked rotor protection, soft start
<b>Approval</b>	CSA; UL; VDE

## Product drawing



## Charts: Air flow



## Measured values

	n	P <sub>1</sub>	$\eta_{TL}$
	[min <sup>-1</sup> ]	[W]	[%]
1'	3740	116	
2'	3500	118	52
3'	3450	119	53
4'	3530	118	48
1	3500	96	
2	3300	99	52
3	3250	100	53
4	3330	99	48
5	2960	58	
6	2830	63	52
7	2780	64	53
8	2840	62	48