


## Female insert - VS-MSTBAH 2,5/ 5-GB-5,08-RD-B - 1609549

Please be informed that the data shown in this PDF Document is generated from our Online Catalog. Please find the complete data in the user's documentation. Our General Terms of Use for Downloads are valid (<http://phoenixcontact.com/download>)

MSTB contact insert, for PCB assembly, 400 V, 5-pos., with angled solder pins, RAL 3000 (red), for panel mounting frame VS-PPC-F2-MSTB-...-1R-P



### Key Commercial Data

Packing unit	1 STK
Minimum order quantity	50 STK
GTIN	 4 046356 175890
GTIN	4046356175890
Weight per Piece (excluding packing)	2.600 g
Custom tariff number	85366990
Country of origin	Germany

### Technical data

#### Ambient conditions

Ambient temperature (operation)	-40 °C ... 70 °C
---------------------------------	------------------

#### General data

Number of positions	5
Alternative short product description	Contact insert for PCB mounting
Rated voltage (III/3)	400 V

#### Standards and Regulations

Connection in acc. with standard	CUL
Flammability rating according to UL 94	V0

#### Environmental Product Compliance

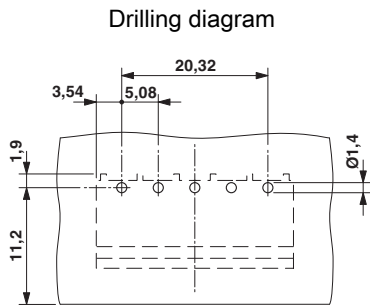
# Female insert - VS-MSTBAH 2,5/ 5-GB-5,08-RD-B - 1609549

## Technical data

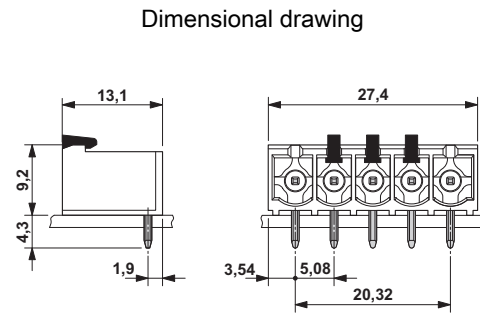
### Environmental Product Compliance

China RoHS	Environmentally friendly use period: unlimited = EFUP-e
	No hazardous substances above threshold values

## Drawings



Drilling diagram



MSTB contact insert

## Approvals

### Approvals

Approvals

EAC / cULus Recognized

Ex Approvals

### Approval details

EAC B.01742
-------------

cULus Recognized <a href="http://database.ul.com/cgi-bin/XYV/template/LISEXT/1FRAME/index.htm">http://database.ul.com/cgi-bin/XYV/template/LISEXT/1FRAME/index.htm</a> E118976-20080903	
Nominal current I <sub>N</sub>	16 A
Nominal voltage U <sub>N</sub>	400 V

