

D-SUB contact insert - VS-25-BU-DSUB/25-MPT-0,5 - 1689776

Please be informed that the data shown in this PDF Document is generated from our Online Catalog. Please find the complete data in the user's documentation. Our General Terms of Use for Downloads are valid (<http://download.phoenixcontact.com>)



D-SUB contact insert, shell size 3, with 25 signal contacts, female contact type, screw connection, straight, for panel mounting frame and sleeve housing with IP67 protection



Key commercial data

Packing unit	1 pc
Weight per Piece (excluding packing)	20.0 GRM
Custom tariff number	85369010
Country of origin	Germany

Technical data

Mechanical characteristics

Number of positions	25
Connection profile	25-pos. D-SUB
Insertion/withdrawal cycles	≥ 200
Connection method	Screw connection
Conductor cross section	0.14 mm ² ... 0.5 mm ²
Connection cross section AWG	26 ... 20
Insertion force per signal contact	≤ 3.30 N
Extraction force per signal contact	≤ 2.2 N

Ambient conditions

Ambient temperature (operation)	-20 °C ... 80 °C
Degree of protection	IP20

Material data

Inflammability class according to UL 94	V0
Contact carrier material	PBTP
Contact material	Copper alloy

D-SUB contact insert - VS-25-BU-DSUB/25-MPT-0,5 - 1689776

Technical data

Material data

Contact surface material	Gold over nickel
--------------------------	------------------

Electrical characteristics

Rated voltage (III/3)	60 V
Rated current	5 A
Contact resistance per contact pair	$\leq 2.5 \text{ m}\Omega$
Insulation resistance	$\geq 5000 \text{ M}\Omega$

Classifications

eCl@ss

eCl@ss 4.0	27140816
eCl@ss 4.1	27260701
eCl@ss 5.0	27260701
eCl@ss 5.1	27260701
eCl@ss 6.0	27260705
eCl@ss 7.0	27440309
eCl@ss 8.0	27440309

ETIM

ETIM 2.0	EC000438
ETIM 3.0	EC000438
ETIM 4.0	EC000438
ETIM 5.0	EC000438

UNSPSC

UNSPSC 6.01	30211923
UNSPSC 7.0901	39121522
UNSPSC 11	39121522
UNSPSC 12.01	39121522
UNSPSC 13.2	39121522

Approvals

Approvals

Approvals

GOST / GOST

D-SUB contact insert - VS-25-BU-DSUB/25-MPT-0,5 - 1689776

Approvals

Ex Approvals

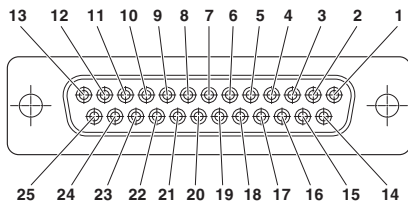
Approvals submitted

Approval details

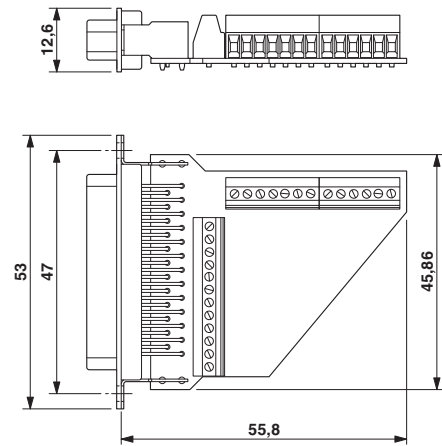


Drawings

Schematic diagram



Dimensioned drawing



D-SUB contact insert, screw connection