

## D-SUB combination contact insert - VS-15-ST-DSUB-2P-5S - 1688227

Please be informed that the data shown in this PDF Document is generated from our Online Catalog. Please find the complete data in the user's documentation. Our General Terms of Use for Downloads are valid (<http://phoenixcontact.com/download>)



D-SUB contact insert, shell size 2, with five signal contacts with solder cup, straight, accommodation for two combined contacts, type of contact pin, fixing with a 3 mm hole, for panel mounting frame and sleeve housing VS-15-...



### Key Commercial Data

Packing unit	1 pc
Minimum order quantity	10 pc
Weight per Piece (excluding packing)	6.17 g
Custom tariff number	85366990
Country of origin	Germany

### Technical data

#### Mechanical characteristics

Number of positions	7
Connection profile	D-SUB 15
Insertion/withdrawal cycles	≥ 200
Connection method	Solder cup
Conductor cross section	0.5 mm <sup>2</sup>
Connection cross section AWG	20
Insertion force per signal contact	≤ 3.40 N
Extraction force per signal contact	≥ 0.2 N
Mounting type	Hole

#### Ambient conditions

Ambient temperature (operation)	-55 °C ... 125 °C
---------------------------------	-------------------

#### Material data

Flammability rating according to UL 94	V0
Housing material	Steel, yellow chromated

# D-SUB combination contact insert - VS-15-ST-DSUB-2P-5S - 1688227

## Technical data

### Material data

Contact carrier material	PBTP
Contact material	Copper alloy
Contact surface material	Gold over nickel

### Electrical characteristics

Number of positions	7
Rated current	5 A
Overvoltage category	III
Degree of pollution	2

### Standards and Regulations

Flammability rating according to UL 94	V0
--	----

## Classifications

### eCl@ss

eCl@ss 4.0	27140816
eCl@ss 4.1	27260701
eCl@ss 5.0	27260701
eCl@ss 5.1	27260701
eCl@ss 6.0	27260705
eCl@ss 7.0	27440309
eCl@ss 8.0	27440302
eCl@ss 9.0	27440205

### ETIM

ETIM 2.0	EC000438
ETIM 3.0	EC000438
ETIM 4.0	EC000438
ETIM 5.0	EC001132

### UNSPSC

UNSPSC 6.01	30211923
UNSPSC 7.0901	39121522
UNSPSC 11	39121522
UNSPSC 12.01	39121522
UNSPSC 13.2	39121522

# D-SUB combination contact insert - VS-15-ST-DSUB-2P-5S - 1688227

## Approvals

Approvals

---

Approvals

EAC / UL Recognized / EAC

---

Ex Approvals


---

Approvals submitted

---

## Approval details

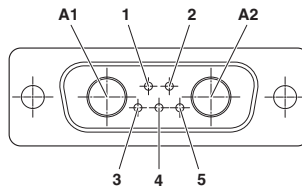
EAC

UL Recognized 

EAC

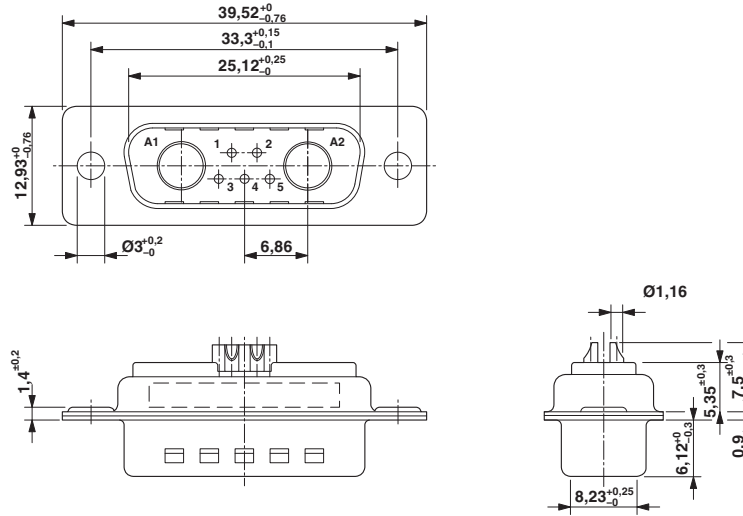
## Drawings

Schematic diagram



# D-SUB combination contact insert - VS-15-ST-DSUB-2P-5S - 1688227

Dimensional drawing



D-SUB contact insert