

D-SUB cable - VS-15-DSUB-20-LI-5,0 - 1656288


Please be informed that the data shown in this PDF Document is generated from our Online Catalog. Please find the complete data in the user's documentation. Our General Terms of Use for Downloads are valid (<http://phoenixcontact.com/download>)



Assembled D-SUB cable shielded, 15-pos., stranded (7-wire), cable color RAL 7000 (gray), IP20 degree of protection, head 1 with socket shell 2 and straight cable outlet, head 2 with pin shell 2 and straight cable outlet, length: 5 m

RoHS

Key Commercial Data

Packing unit	1 pc
GTIN	 4 046356 029766
GTIN	4046356029766
Weight per Piece (excluding packing)	324.100 g
Custom tariff number	85444290
Country of origin	China

Technical data

Mechanical characteristics

Number of positions	15
Insertion/withdrawal cycles	≥ 50
Cable outlet	straight
Degree of protection	IP20

Ambient conditions

Ambient temperature (operation)	0 °C ... 70 °C
Degree of protection	IP20

Material data

Housing material	PVC
Contact material	Copper alloy

D-SUB cable - VS-15-DSUB-20-LI-5,0 - 1656288

Technical data

Material data

Contact surface material	gold-plated
Outer sheath, material	PVC

Electrical characteristics

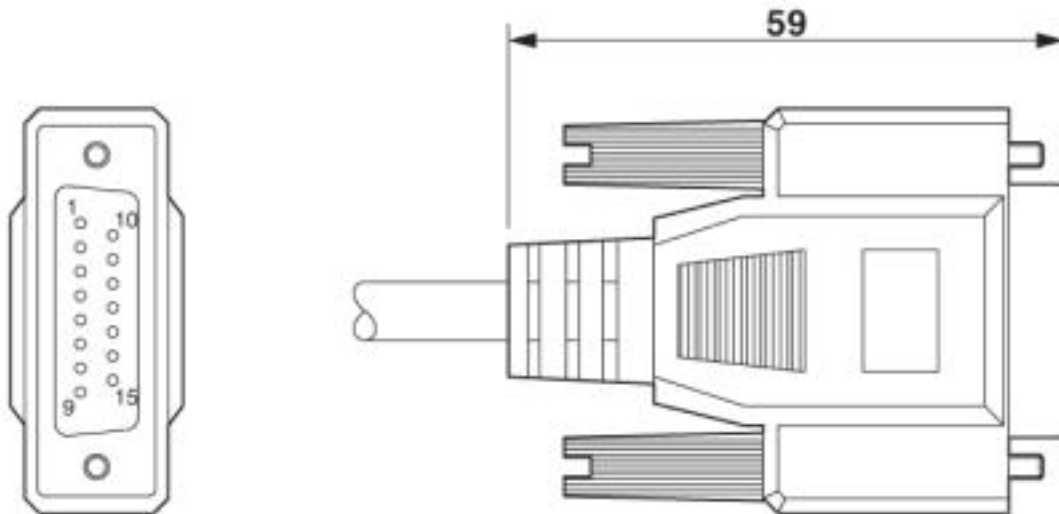
Number of positions	15
Rated current	1 A
Overvoltage category	III
Degree of pollution	2
Rated voltage (III/3)	125 V

Environmental Product Compliance

China RoHS	Environmentally friendly use period: unlimited = EFUP-e
	No hazardous substances above threshold values

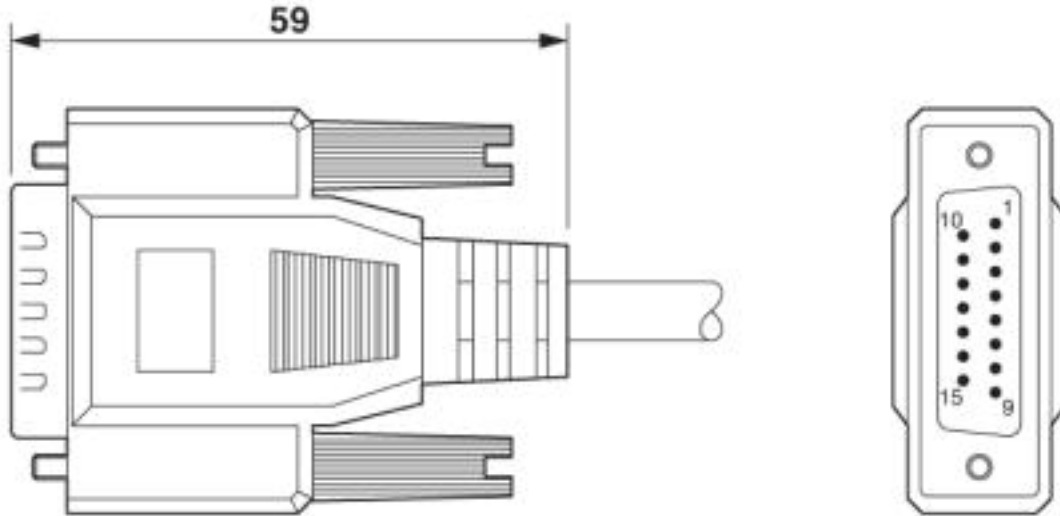
Drawings

Dimensional drawing

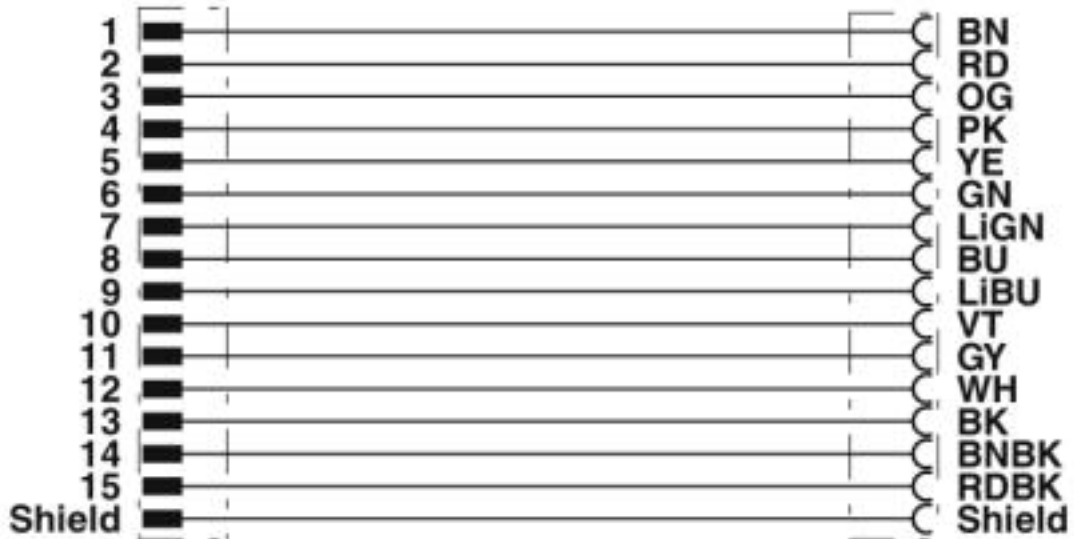


D-SUB cable - VS-15-DSUB-20-LI-5,0 - 1656288

Dimensional drawing

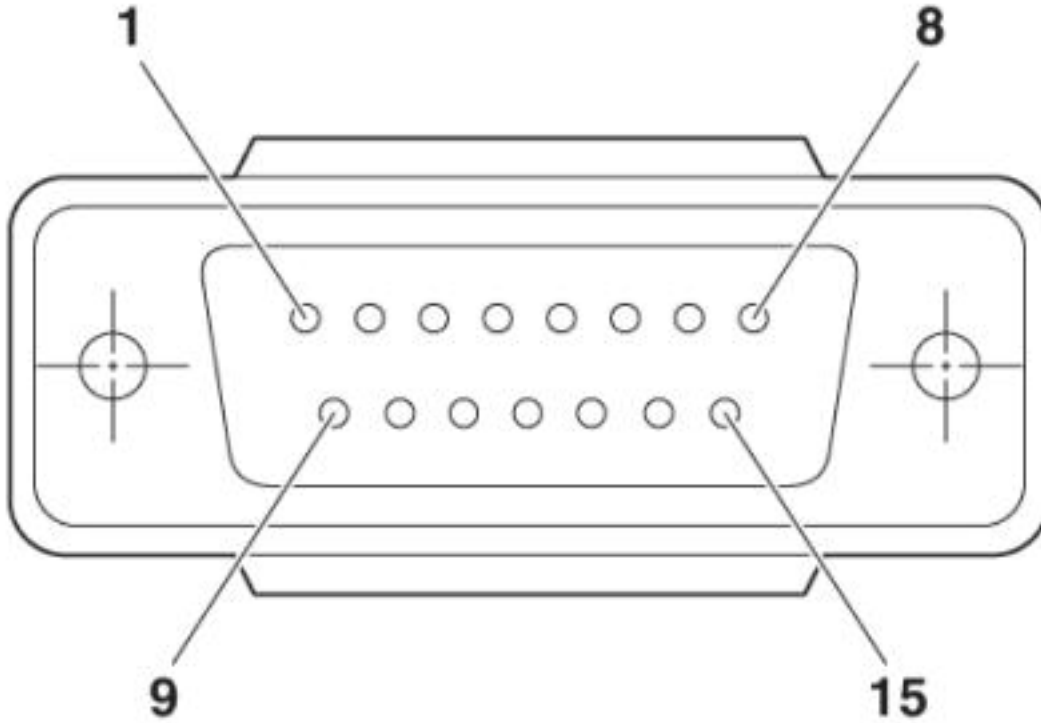


Circuit diagram



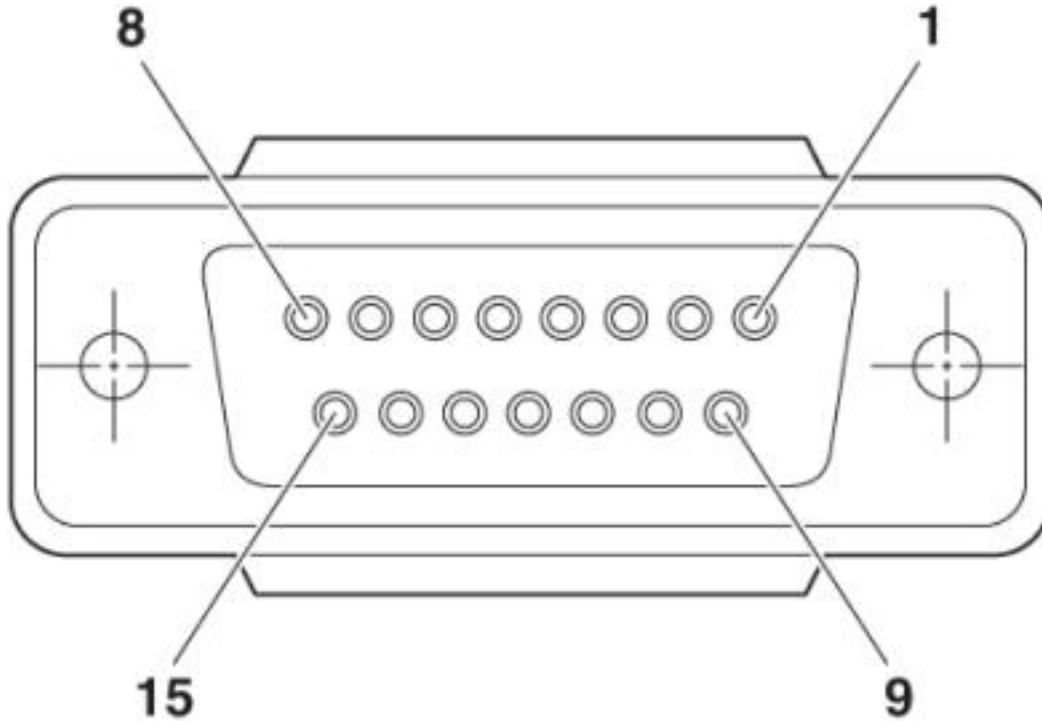
D-SUB cable - VS-15-DSUB-20-LI-5,0 - 1656288

Schematic diagram



D-SUB cable - VS-15-DSUB-20-LI-5,0 - 1656288

Schematic diagram



Classifications

eCl@ss

eCl@ss 10.0.1	27060390
eCl@ss 4.0	24010400
eCl@ss 4.1	24010400
eCl@ss 5.0	19030300
eCl@ss 5.1	19030300
eCl@ss 6.0	27060300
eCl@ss 7.0	27060390
eCl@ss 8.0	27060390
eCl@ss 9.0	27060390

ETIM

ETIM 2.0	EC000830
ETIM 3.0	EC001855
ETIM 4.0	EC001855
ETIM 5.0	EC001408
ETIM 6.0	EC000748

D-SUB cable - VS-15-DSUB-20-LI-5,0 - 1656288

Classifications

ETIM

ETIM 7.0	EC000748
----------	----------

UNSPSC

UNSPSC 6.01	31261501
UNSPSC 7.0901	31261501
UNSPSC 11	31261501
UNSPSC 12.01	31261501
UNSPSC 13.2	26121604

Approvals

Approvals

Approvals

EAC

Ex Approvals

Approval details

EAC		B.00767
-----	---	---------
