

## D-SUB combination contact insert - VS-15-BU-DSUB-2P-5S - 1688230

Please be informed that the data shown in this PDF Document is generated from our Online Catalog. Please find the complete data in the user's documentation. Our General Terms of Use for Downloads are valid (<http://phoenixcontact.com/download>)



D-SUB contact insert, shell size 2, with five signal contacts with solder cup, straight, accommodation for two combined contacts, type of contact socket, fixing with a 3 mm hole, for panel mounting frame and sleeve housing VS-15-...



### Key Commercial Data

Packing unit	1 pc
Minimum order quantity	10 pc
Weight per Piece (excluding packing)	6.88 g
Custom tariff number	85366990
Country of origin	Germany

### Technical data

#### General data

Note	The contacts must be ordered separately since they are not included in the scope of supply of the combi contact inserts.
Number of positions	7
Overvoltage category	III
Pollution degree	2

#### Standards and Regulations

Flammability rating according to UL 94	V0
--	----

### Classifications

#### eCl@ss

eCl@ss 4.0	27140816
eCl@ss 4.1	27260701
eCl@ss 5.0	27260701
eCl@ss 5.1	27260701

# D-SUB combination contact insert - VS-15-BU-DSUB-2P-5S - 1688230

## Classifications

### eCl@ss

eCl@ss 6.0	27260705
eCl@ss 7.0	27440309
eCl@ss 8.0	27440302
eCl@ss 9.0	27440205

### ETIM

ETIM 2.0	EC000438
ETIM 3.0	EC000438
ETIM 4.0	EC000438
ETIM 5.0	EC001132

### UNSPSC

UNSPSC 6.01	30211923
UNSPSC 7.0901	39121522
UNSPSC 11	39121522
UNSPSC 12.01	39121522
UNSPSC 13.2	39121522

## Approvals

### Approvals

---

#### Approvals

EAC / EAC / UL Recognized

---

#### Ex Approvals

---

#### Approvals submitted

---

### Approval details

EAC
-----

EAC
-----

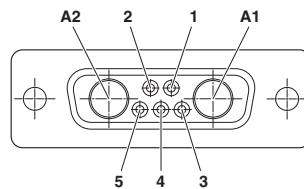
# D-SUB combination contact insert - VS-15-BU-DSUB-2P-5S - 1688230

## Approvals

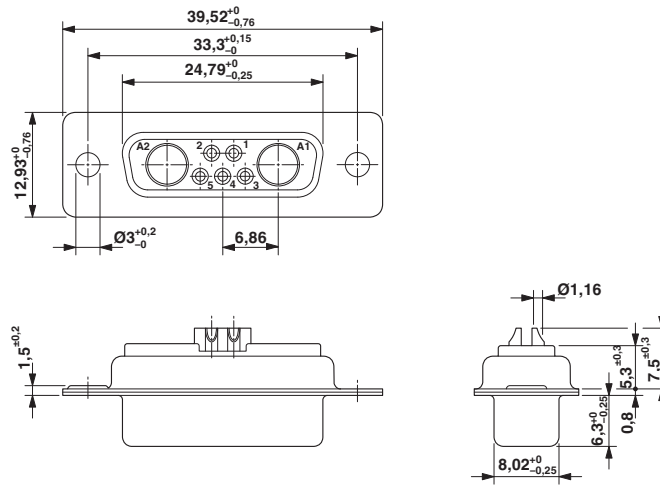


## Drawings

Schematic diagram



Dimensional drawing



D-SUB contact insert