


## D-SUB connector - VS-09-IBS-ST - 1689271

Please be informed that the data shown in this PDF Document is generated from our Online Catalog. Please find the complete data in the user's documentation. Our General Terms of Use for Downloads are valid (<http://phoenixcontact.com/download>)

D-SUB complete connector, for INTERBUS, shell size 1, pin, screw connection, shielded, connection direction straight, IP67 degree of protection



### Key Commercial Data

Packing unit	1 pc
GTIN	 4 017918 892746
GTIN	4017918892746
Weight per Piece (excluding packing)	91.900 g
Custom tariff number	85369010
Country of origin	Germany

### Technical data

#### Mechanical characteristics

Number of positions	9
Shielded	yes
Insertion/withdrawal cycles	≥ 200
Connection method	Screw connection
Conductor cross section	0.14 mm <sup>2</sup> ... 0.5 mm <sup>2</sup>
Connection cross section AWG	26 ... 20
External cable diameter	5 mm ... 9 mm
Cable outlet	Angled
Color	gray
Degree of protection	IP67
Type	D-SUB 9

## D-SUB connector - VS-09-IBS-ST - 1689271

### Technical data

#### Mechanical characteristics

Size of housing	1
No. of cable outlets	2

#### Ambient conditions

Ambient temperature (operation)	-20 °C ... 70 °C
---------------------------------	------------------

#### Material data

Flammability rating according to UL 94	V0
Housing material	PA
Contact carrier material	PBTP
Contact material	Copper alloy
Contact surface material	Gold over nickel
Cable seal material	CR/NBR

#### Electrical characteristics

Number of positions	9
Rated current	1 A
Overvoltage category	II
Degree of pollution	2
Rated voltage (III/3)	63 V

#### Standards and Regulations

Flammability rating according to UL 94	V0
--	----

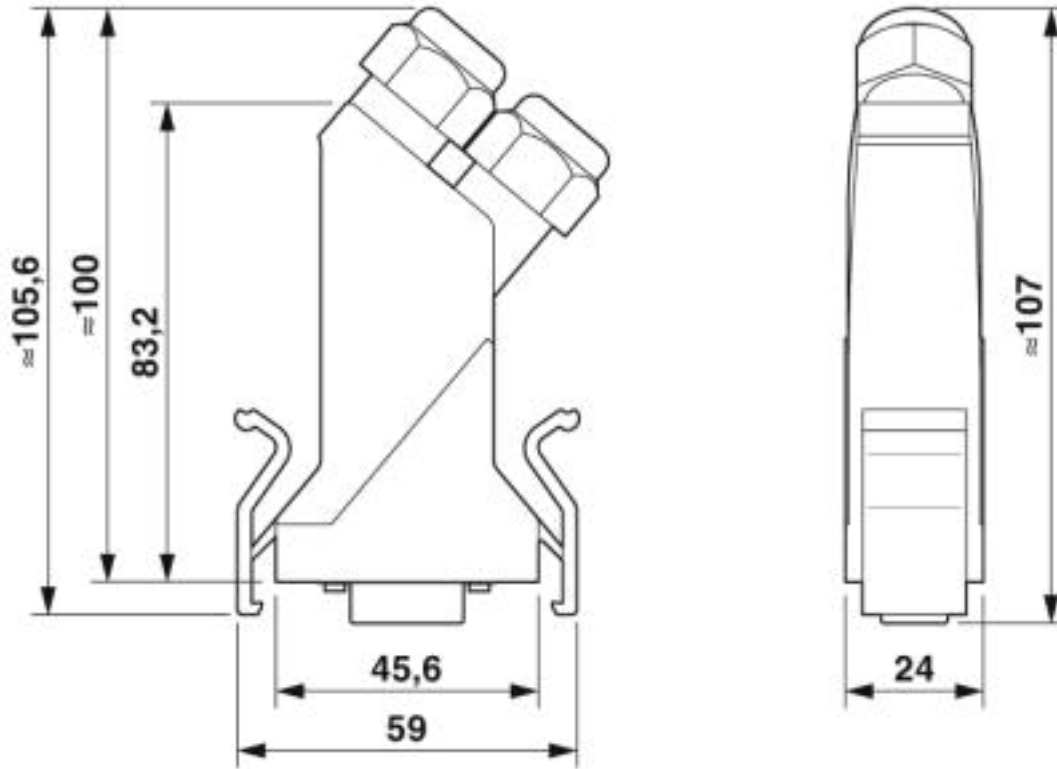
#### Environmental Product Compliance

China RoHS	Environmentally Friendly Use Period = 50
	For details about hazardous substances go to tab "Downloads", Category "Manufacturer's declaration"

### Drawings

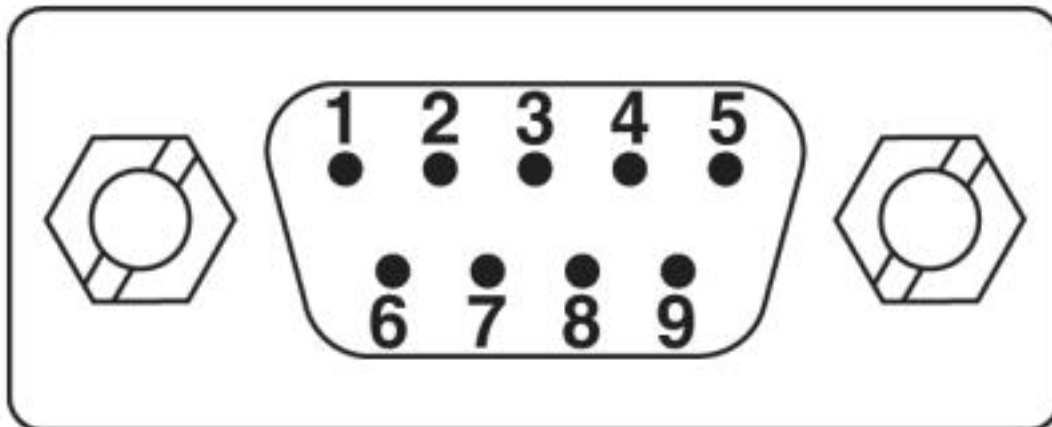
# D-SUB connector - VS-09-IBS-ST - 1689271

Dimensional drawing



D-SUB connector

Schematic diagram



9-pos. D-SUB male plug

# D-SUB connector - VS-09-IBS-ST - 1689271

## Classifications

### eCl@ss

eCl@ss 4.0	27260700
eCl@ss 4.1	27260700
eCl@ss 5.0	27260700
eCl@ss 5.1	27261200
eCl@ss 6.0	27261200
eCl@ss 7.0	27440302
eCl@ss 8.0	27440302
eCl@ss 9.0	27440302

### ETIM

ETIM 2.0	EC000437
ETIM 3.0	EC000437
ETIM 4.0	EC000437
ETIM 5.0	EC001132
ETIM 6.0	EC001132
ETIM 7.0	EC001132

### UNSPSC

UNSPSC 6.01	31261501
UNSPSC 7.0901	31261501
UNSPSC 11	31261501
UNSPSC 12.01	31261501
UNSPSC 13.2	39121522

## Approvals

### Approvals

---

Approvals

EAC

---

Ex Approvals

---

### Approval details

## D-SUB connector - VS-09-IBS-ST - 1689271

### Approvals

EAC



B.01742

### Accessories

#### Accessories

#### Protective cover

D-SUB protective cover - VS-09-SD - 1887086

D-SUB protective cover, material: PA, size of housing: 1, color: gray

