

Patch cable - VS-04-2X2X26C7/7-67A/67B/5,0 - 1653883

Please be informed that the data shown in this PDF Document is generated from our Online Catalog. Please find the complete data in the user's documentation. Our General Terms of Use for Downloads are valid (<http://phoenixcontact.com/download>)



Assembled USB cable, shielded, color: RAL 5021 (water blue), PUR outer sheath, USB type A/IP67 on USB type B/IP67, length: 5 m



Key Commercial Data

Packing unit	1 pc
GTIN	 4 017918 970215
Weight per Piece (excluding packing)	386.6 g
Custom tariff number	85444290
Country of origin	Germany

Technical data

Dimensions

Length of cable	5 m
-----------------	-----

Ambient conditions

Degree of protection	IP67
----------------------	------

General data

Number of positions	4
Signal type/category	USB 2.0
Degree of pollution	2

Characteristics head 1

Head type	Plug straight USB type A
No. of positions (pin connector pattern)	4

Characteristics head 2

Head type	Plug straight USB type B
-----------	--------------------------

Patch cable - VS-04-2X2X26C7/7-67A/67B/5,0 - 1653883

Technical data

Characteristics head 2

No. of positions (pin connector pattern)	4
--	---

Cable

Cable type	FireWire
Cable type (abbreviation)	980
Signal type/category	USB CAT7, 480 Mbps
	FireWire CAT7, 400 Mbps
Cable structure	2x2xAWG26/7 + 2xAWG20/19; S/FTP
Conductor cross section	2x 2x 0.14 mm ² (Signal line)
	2x 0.5 mm ² (Power supply)
AWG signal line	26
AWG power supply	20
Conductor structure signal line	7x 0.15 mm
Conductor structure, voltage supply	19x 0.20 mm
Core diameter including insulation	≤ 1.05 mm (Signal line)
	nom. 1.4 mm (Power supply)
Wire colors	White-blue, white-orange, white, black
Twisted pairs	2 cores to the pair
Type of pair shielding	Aluminum-lined polyester foil
Overall twist	Two pairs and two power supply wires to the core
Shielding	Tinned copper braided shield
External sheath, color	water blue RAL 5021
External cable diameter D	6.7 mm
Minimum bending radius, fixed installation	5 x D
Minimum bending radius, flexible installation	5 x D
Tensile strength short-term/long-term	≤ 30 N
Cable weight	59 kg/km
Outer sheath, material	PUR
Material conductor insulation	Cell PE (Signal line)
	PVC (Power supply)
Conductor material	Bare Cu litz wires
Insulation resistance	5 GΩ*km
Conductor resistance	150 Ω/km
Working capacitance	42 pF (per meter)
Wave impedance	100 Ω ±5 % (at 100 MHz)
Signal speed	0.72 c
Signal runtime	4.6 ns/m
Shield attenuation	60 dB (Up to 1000 MHz)

Patch cable - VS-04-2X2X26C7/7-67A/67B/5,0 - 1653883

Technical data

Cable

Interference suppression	90 dB (Up to 1000 MHz)
Coupling resistance	5.00 mΩ/m (At 10 MHz)
Nominal voltage, cable	≤ 125 V
Test voltage, cable	1000 V
Special properties	Free of substances which would hinder coating with paint or varnish
Flame resistance	complying with IEC 60332-2-2
Resistance to oil	according to EN 60811-2-1
Other resistance	Microbe resistance as per DIN VDE 0282
	Hydrolysis resistance as per DIN 53504
Ambient temperature (operation)	-40 °C ... 70 °C (cable, fixed installation)
	-10 °C ... 50 °C (cable, flexible installation)

Classifications

eCl@ss

eCl@ss 4.0	27140816
eCl@ss 4.1	27260701
eCl@ss 5.0	27260701
eCl@ss 5.1	27260701
eCl@ss 6.0	27279218
eCl@ss 7.0	27279218
eCl@ss 8.0	27060390

ETIM

ETIM 2.0	EC000830
ETIM 3.0	EC001855
ETIM 4.0	EC001855
ETIM 5.0	EC001408

UNSPSC

UNSPSC 6.01	31261501
UNSPSC 7.0901	31261501
UNSPSC 11	31261501
UNSPSC 12.01	31261501
UNSPSC 13.2	31261501

Approvals

Approvals

Patch cable - VS-04-2X2X26C7/7-67A/67B/5,0 - 1653883

Approvals

Approvals

EAC

Ex Approvals

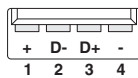
Approvals submitted

Approval details

EAC

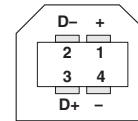
Drawings

Schematic diagram



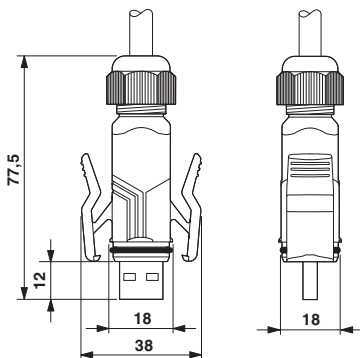
Pin assignment plug USB, type A

Schematic diagram



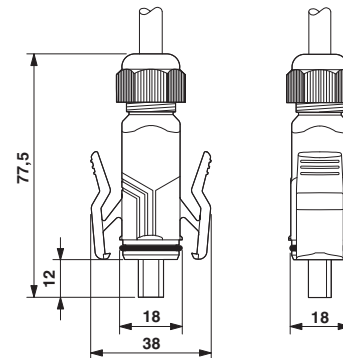
Plug pin assignment plug USB, type B

Dimensional drawing



USB connector, type A, IP67

Dimensional drawing



USB connector, type B, IP67

Patch cable - VS-04-2X2X26C7/7-67A/67B/5,0 - 1653883

Circuit diagram

