

VC1350

3.5mm SPACING HEADERS FOR EB1350

TECHNICAL DATA

MECHANICAL

Operating Temperature:

-33°C to +120°C

-27°F to +248°F

Soldering Temperature:

260°C, 500°F for 5 seconds max

MATERIAL

Contact:

Brass, Tin Plated

Insulator Body:

PBT, UL 94V-0, Blue

ELECTRICAL

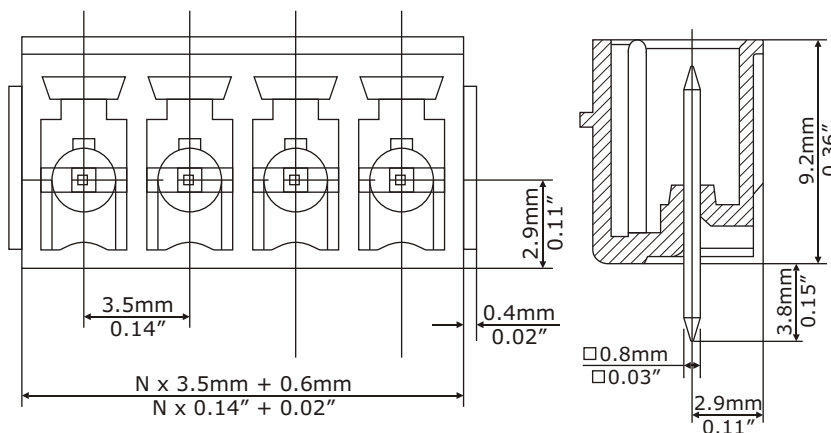
Voltage Rating:

300VAC

Current Rating:

8 Amps

DIMENSIONAL REFERENCE



Safety Approval:



PART NUMBERING

VC1350-XX

NUMBER OF
POSITIONS
24 Maximum

RECOMMENDED P.C.B. HOLE SIZE: 1.2mm (0.047")

N = Number of contacts

EBY Electro, Inc.

210 Express Street
Plainview, NY 11803-2423 USA

© Copyright 2003 EBY Electro, Inc.



Electro-Mechanical Components Since 1945

www.ebyelectro.com

Email: info@ebyelectro.com

Tel: 516.576.7777 · Fax: 516.576.1414