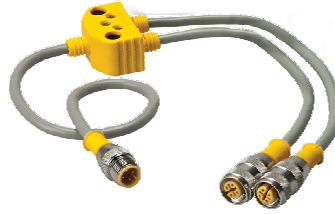


TURCK Splitters

euofast® 2-Branch Splitters, Standard and LED Wiring

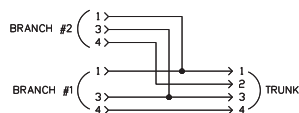
- Combine Two Sensors into One Cable
- For Use on Cylinders and Other Dual-Input Applications
- Tough TPU Construction
- For 3-wire DC Sensors or Switches



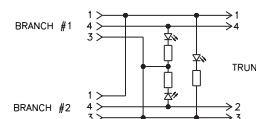
Housing	Part Number	Features	Wiring Diagram
	VB2-FSM 4.4/2FKM 4	250 V, 4.0 A, combine 2 sensors into 1 cable	Standard
	VB2-RS 4.4T-*/2FKM 4	250 V, 4.0 A, RS 4.4T = Grey PVC, 5.1 mm OD, 4x22 AWG, combine 2 sensors into 1 cable	Standard
	VB2-FSM 4.4/2RK 4T-*/	250 V, 4.0 A, Grey PVC, 5.1 mm OD, RK 4T - 3x20 AWG, combine 2 sensors into 1 cable	Standard
	VB2-RS 4.4T-*/2RK 4T-*/	250 V, 4.0 A, Grey PVC, 5.1 mm OD, RK 4T - 3x20 AWG, RS 4.4T - 4x22 AWG, combine 2 sensors into 1 cable	Standard
	VB2-PX3-FSM 4.4/2FKM 4	10-30 VDC, 4.0 A, combine 2 sensors into 1 cable; 3 LEDs, 2 signals, PNP, 1 power	LED
	VB2-PX3-RS 4.4T-*/2FKM 4	10-30 VDC, 4.0 A, RS 4.4T = Grey PVC, 5.1 mm OD, 4x22 AWG, combine 2 sensors into 1 cable; 3 LEDs, 2 signals, PNP, 1 power	LED
	VB2-PX3-FSM 4.4/2RK 4T-*/	10-30 VDC, 4.0 A, Grey PVC, 5.1 mm OD, RK 4T - 3x20 AWG, combine 2 sensors into 1 cable; 3 LEDs, 2 signals, PNP, 1 power	LED
	VB2-PX3-RS 4.4T-*/2RK 4T-*/	10-30 VDC, 4.0 A, Grey PVC, 5.1 mm OD, RK 4T - 3x20 AWG, RS 4.4T - 4x22 AWG, combine 2 sensors into 1 cable; 3 LEDs, 2 signals, PNP, 1 power	LED

Wiring Diagrams

Standard



LED



- Junction Body:** Oil resistant yellow TPU
- Connector:** Oil resistant TPU body material, Nylon or TPU contact carrier, spacings to VDE 0110 Group C
- Contacts:** Gold plated brass
- Coupling Nuts:** Nickel plated brass
- Cable:** See table
- Temperature:** -40°C to +105°C (-40°F to +221°F)
- Protection:** IEC IP67

Cable Length: Trunk - nominal 1 meter. Branches - nominal 0.3 meters. Other lengths available by request - consult factory.

Cable Options: Standard cable jacket - grey PVC. TPU and other jackets available by request - consult factory.

Connector Options: (for legs with cable)

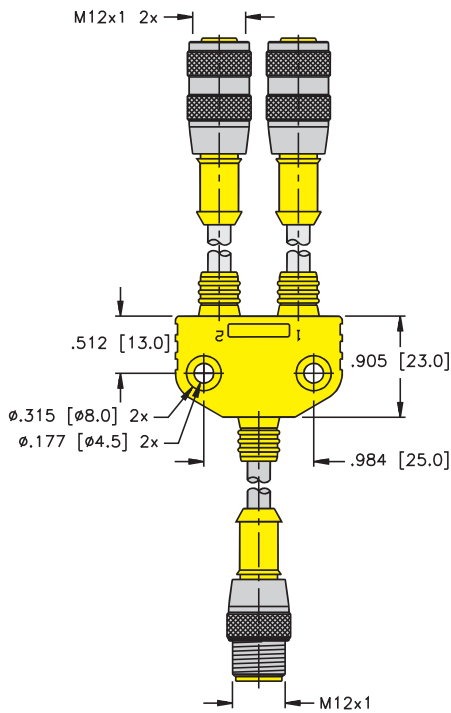
Stainless steel coupling nut add "V" to part number (RS to RSV, RK to RKV).

Nylon coupling nut add "K" to part number (RS to RSK, RK to RKK).

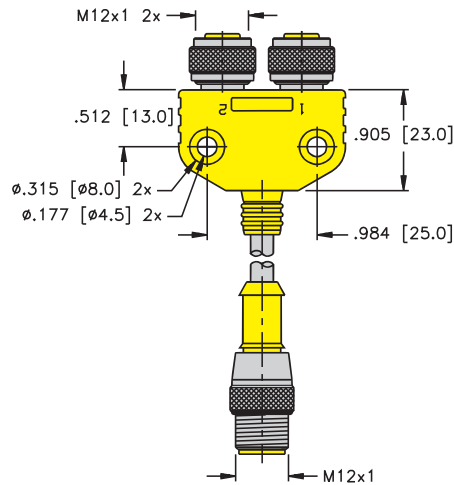
Right angle connectors, change part number (RS to WS, RK to WK).

Notes: Mounting hole accepts #8 screw.

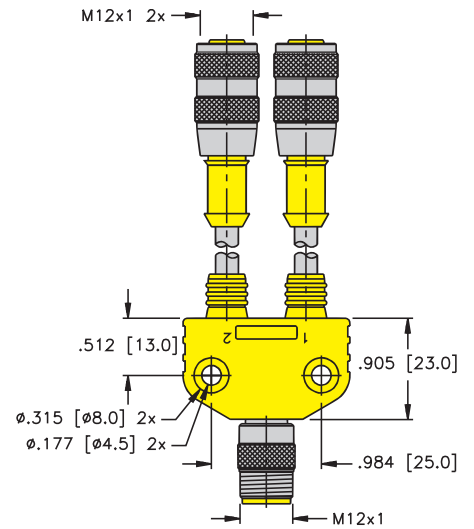
VB2-RS 4.4T-*/2RK 4T-*/*
VB2-PX3-RS 4.4T/2RK 4T-*/*



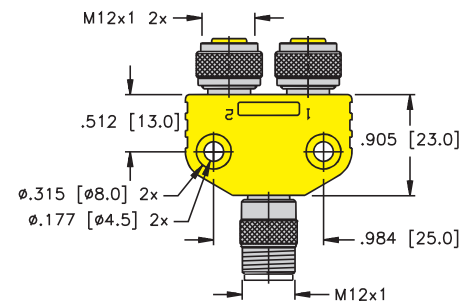
VB2-RS 4.4T-*/2FKM 4
VB2-PX3-RS 4.4T-*/2FKM 4



VB2-FSM 4.4/2RK 4T-*/*
VB2-PX3-FSM 4.4/2RK 4T-*/*



VB2-FSM 4.4/2FKM 4
VB2-PX3-FSM 4.4/2FKM 4



Pinouts

Female	Male
4-Pin	4-Pin