

V3L-6-D8

M

DRAWING NUMBER

ISSUE  
 2 12  
 3 12

REPLACES

RELEASE NO. SR 10383

30 JULY '62

CHECK SK

REVISIONS

CHECK SK

30 JULY '62

CHECK SK

30 JULY '62

CHECK SK

30 JULY '62

CHECK SK

26 JULY 62

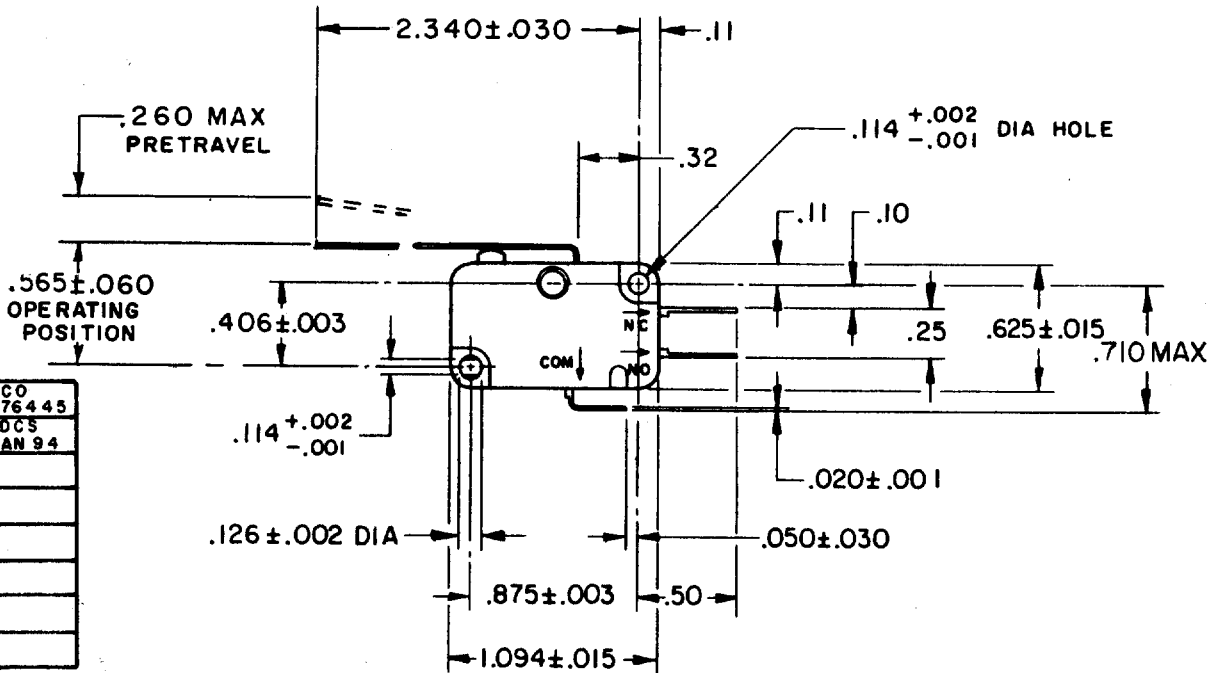
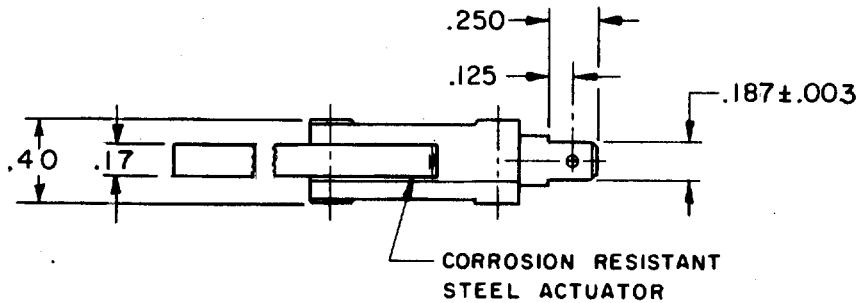
CHECK SK

26 JULY 62

CHECK SK

26 JULY 62

CHECK SK



A	CO 20129	L	CO 76445
	M B F		DCS
8	APR 65		5 JAN 94
B	CO 20189		
	M B F		
15	SEP 65		
C	CO 21711		
	CO 21688		
	M B F		
30	SEPT 66		
D	CO 22122		
	R E R		
21	NOV 66		
E	CO 23213		
	OMW		
18	DEC 67		
F	CO 31509		
	R E R		
22	JAN 73		
G	CO 32395		
	D B W		
29	NOV 73		
H	CO 46818-A		
	J A P		
3	DEC 79		
J	CO 56987		
	SMA		
1	OCT 85		
K	CO 75471		
	J A L		
6	OCT 93		

THIS DRAWING COVERS A PROPRIETARY ITEM AND IS THE PROPERTY OF MICRO SWITCH, A DIVISION OF MINNEAPOLIS-HONEYWELL REGULATOR CO. THIS DRAWING IS NOT TO BE COPIED OR USED WITHOUT THE APPROVAL OF MICRO SWITCH.

**CHARACTERISTICS**

OPERATING FORCE ——— 4 OZ MAX  
 RELEASE TRAVEL ————.021 MIN  
 RELEASE FORCE ————1/2 OZ MIN  
 DIFFERENTIAL TRAVEL ——.090 MAX  
 OVERTRAVEL ————.150 MIN

**ELECTRICAL DATA**

CONTACT ARRANGEMENT  
 S P D T

L83  
 15.1A 1/2HP 125 OR 250 VAC  
 1/2A 125 VDC, 1/4A 250 VDC  
 5A 125 VAC "L"



**SCALE FULL**

DO NOT SCALE PRINT

UNLESS OTHERWISE SPECIFIED  
 DIMENSIONS ARE IN INCHES  
**TOLERANCES ARE:**

ONE PLACE	(.0)	±.030
TWO PLACE	(.00)	±.015
THREE PLACE	(.000)	±.005
ANGLES		±

WEIGHT