



MICRO SWITCH

FREEPORT, ILLINOIS, U.S.A.
A DIVISION OF HONEYWELL

FED. MFG. CODE 91929

SWITCH - BASIC

CATALOG LISTING

V3L-1132-D8

CQ-M3250

V3L-1132-D8

M

DRAWING NUMBER

15

ISSUE

8

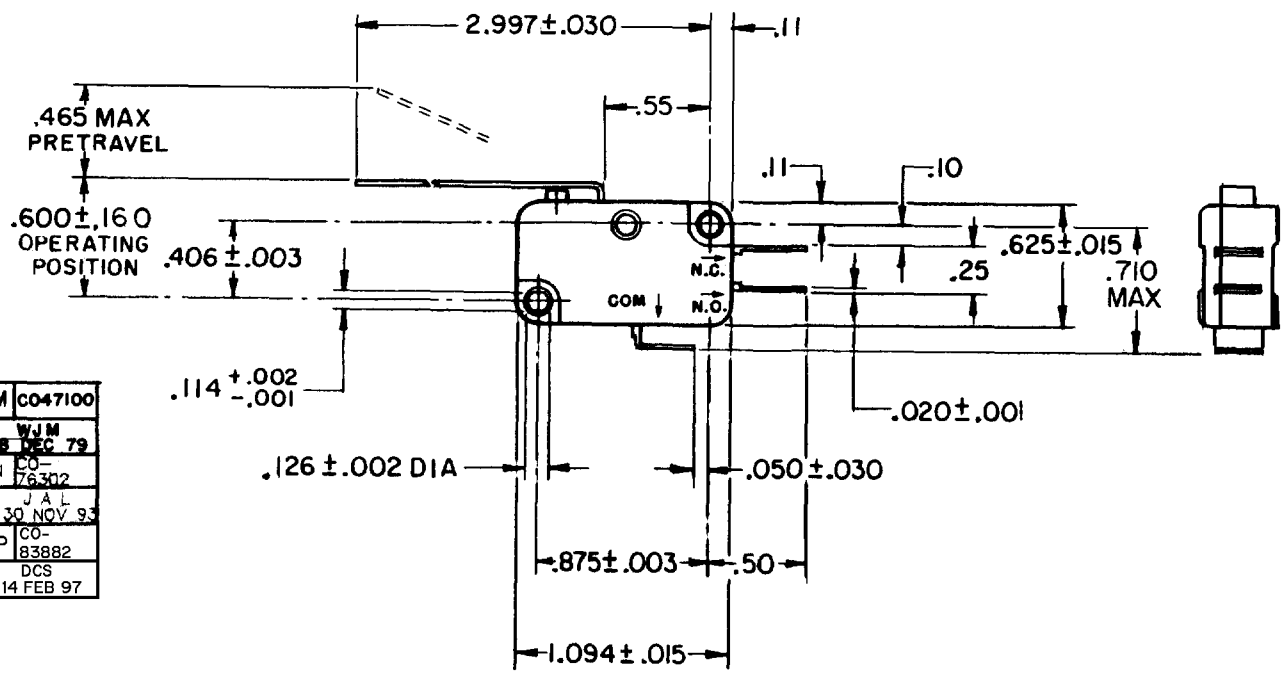
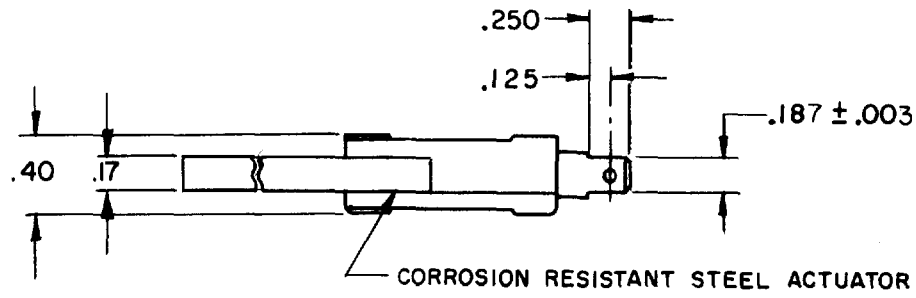
REVISIONS

A	CORR	W E G	29 JUNE 65
B	SR11976	OMW	14 SEP 65
C	CO 20351	M B F	28 SEP 65
D	CO20871	W E G	3 DEC 65
E	CO21132	M B F	1 MARCH 66
F	CO21711 CO21900	OMW	3 SEP 66
G	CO22635	R E R	21 APR 67
H	CO23213	OMW	19 DEC 67
J	CO24699	M B S	30 JULY 69
K	CO29300	G E M	10 SEPT 71
L	CO29774	G M	10 DEC 71

M	CO47100	W J M	18 DEC 79
N	CO-76302	J A L	30 NOV 93
P	CO-83882	DCS	14 FEB 97

X31547

RELEASE NO. ETS SR 11976 REPLACES ISSUE 1



NOTE -
 1 FORCE CHARACTERISTICS TAKEN WITH SWITCH MOUNTING SURFACE HORIZONTAL
 2 CAUTION: OVERTRAVEL FORCE ON LEVER MUST NOT RESULT IN AN OVERTRAVEL FORCE ON PLUNGER EXCEEDING FIVE POUNDS

THIS DRAWING COVERS A PROPRIETARY ITEM AND IS THE PROPERTY OF MICRO SWITCH, A DIVISION OF HONEYWELL. THIS DRAWING IS NOT TO BE COPIED OR USED WITHOUT THE APPROVAL OF MICRO SWITCH.

CHARACTERISTICS	ELECTRICAL DATA	SCALE FULL
OPERATING FORCE ----- 9 GRAM MAX	CONTACT ARRANGEMENT S P D T	DO NOT SCALE PRINT
RELEASE FORCE ----- 1 GRAM MIN	-L112- 10 A-1/3 HP-125 OR 250 VAC 1/2 A-125 VDC; 1/4 A-250 VDC 4 A-125 VAC "L" 	UNLESS OTHERWISE NOTED DIMENSIONS ARE IN INCHES TOLERANCES ARE:
DIFFERENTIAL TRAVEL ----- .130 MAX		ONE PLACE (.0) ± .030
OVERTRAVEL ----- .270 MIN		TWO PLACE (.00) ± .015
RELEASE TRAVEL ----- .067 MIN		THREE PLACE (.000) ± .005
		ANGLES ±
		WEIGHT

FORMTEK

DRAWN

R R R 4 JUN 65