

VERTICAL CLAMPS

V150 SERIES
MODEL V150/1BSS

STAINLESS
STEEL



Arm:
The spindle position is adjustable along the arm.

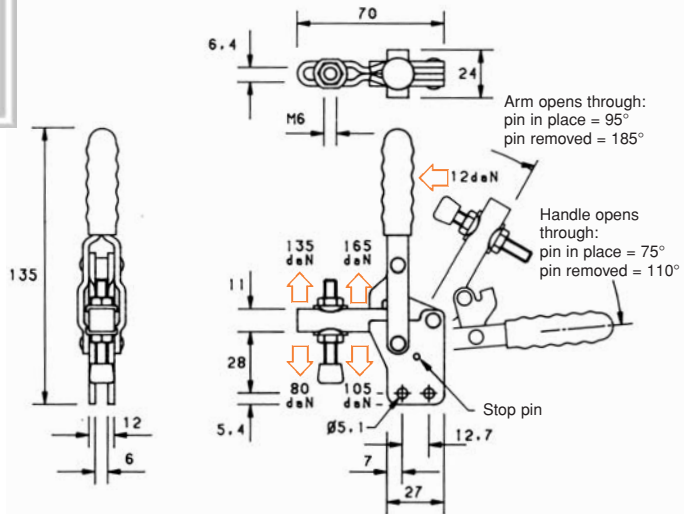
Base:
Straight.

Nominal Holding Force:
150 daN

Weight:
0.15 Kg

Supplied complete with:
MB0650 Setscrew & nuts.
NC/06 Neoprene cover.

Material: BS 304 S15



V150 SERIES
MODEL V150/1C



Arm:
The spindle is in a fixed position.

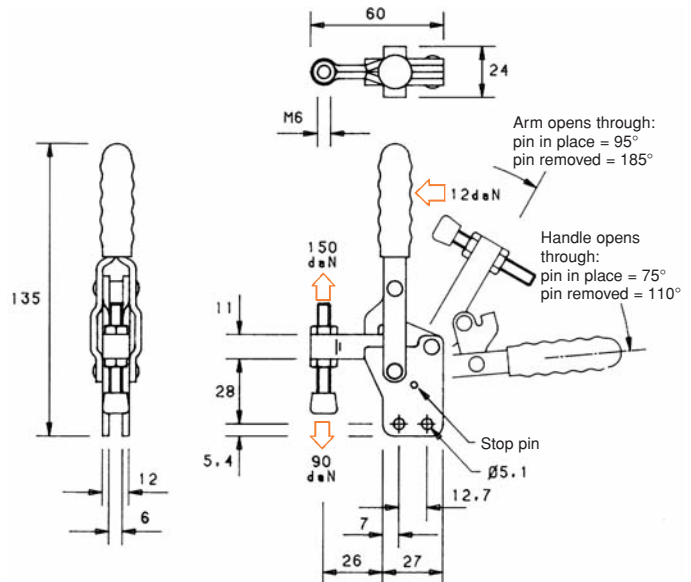
Base:
Straight.

Nominal Holding Force:
150 daN

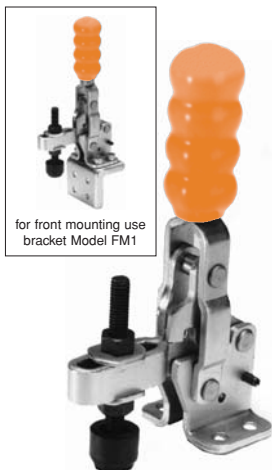
Weight:
0.15 Kg

Supplied complete with:
MB0650 Setscrew & nuts.
NC/06 Neoprene cover.

See "Accessories" for other items.



V150 SERIES
MODEL V150/2B



Arm:
The spindle position is adjustable along the arm.

Base:
Flanged.

Nominal Holding Force:
150 daN

Weight:
0.15 Kg

Supplied complete with:
MB0650 Setscrew & nuts.
NC/06 Neoprene cover.
FW06/12 Flanged washers.

See "Accessories" for other items.

