

Type: **U-PKZ0(230V50HZ)**

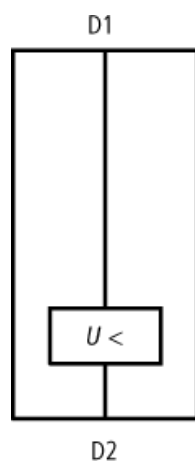
Article No.: **073135**



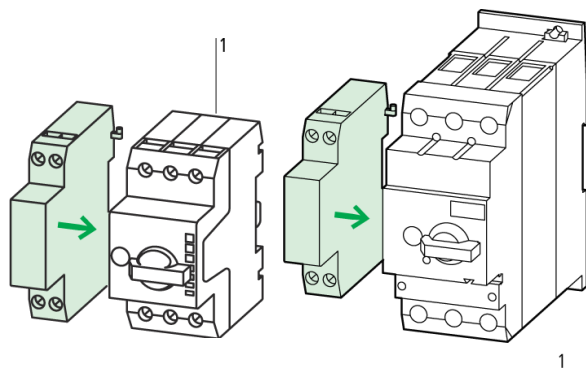
Ordering information

Connection technique		Screw terminals
For use with		PKZM0 PKZM4 PKZM0-T PKM0 PKZM01

Contact sequence



Notes concerning the product group



Accessories

1 Motor-protective circuit-breakers → 072730

Further actuating voltages → 073147

General

Terminal capacities			
Solid or flexible conductor with ferrule		mm ²	1 × (0.75 – 2.5) 2 × (0.75 – 2.5)
Solid or stranded		AWG	1 × (18 – 14) 2 × (18 – 14)

Main conducting paths

Rated operating voltage	U_e	V AC	42 – 480
Rated operating voltage	U_e	V DC	24 – 250

Power consumption

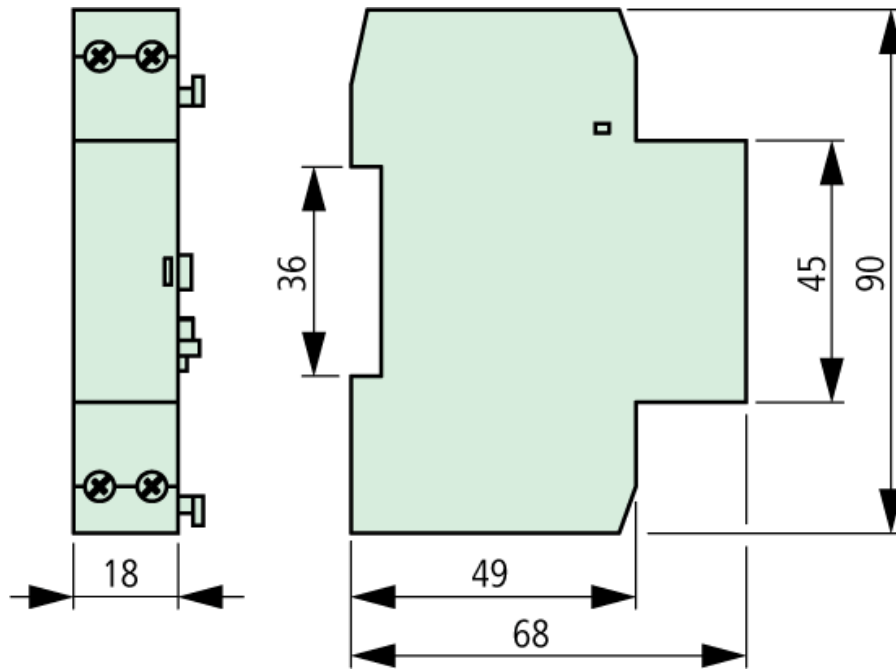
AC			
Pick-up AC	Pick-up	VA	5
Sealing AC	Sealing	VA	3

Pick-up-/drop-out voltage

Pick-up voltage			
Pick-up voltage, min.		× U_s	0,85
Pick-up voltage, max.		× U_s	1,1
Drop-out voltage			
Drop-out voltage, min.		× U_s	0,7
Drop-out voltage, max.		× U_s	0,35

Dimensions

Dimensions



Moeller GmbH, Hein-Moeller-Str. 7-11, D-53115 Bonn
E-Mail: catalog@moeller.net, Internet: www.moeller.net, <http://catalog.moeller.net>
Copyright 2006 by Moeller GmbH. Subject to modifications. HPL-C2006GB-INT V2.3