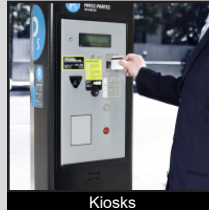


ULV8 SERIES ANTI-VANDAL SWITCH

ANTI-VANDAL SWITCHES
DETECTOR SWITCHES
DIP SWITCHES
KEYLOCK SWITCHES
NAVIGATION SWITCHES
PUSHBUTTON SWITCHES
ROCKER SWITCHES
ROTARY SWITCHES
SLIDE SWITCHES
SNAP ACTION SWITCHES
TACTILE SWITCHES
TOGGLE SWITCHES
CAP OPTIONS



APPLICATIONS / MARKETS



RoHS

SPECIFICATIONS

Electrical Rating: 3A, 125/250VAC
Mechanical Life: 1,000,000 cycles (momentary); 500,000 cycles (latching)
Electrical Life: 50,000 Cycles
Contact Resistance: 50mΩ
Insulation Resistance: 1000 MΩ @ 500VDC
Dielectric Strength: 2,000VAC
Operating/Storage Temperature: -20°C to 55°C
Travel: 3.2mm
Moisture Protection: IP67
Contact Arrangement: SPDT or DPDT
Actuation Force: Single Pole: 2.5N; Double Pole: 3.5N
Panel Thickness: 1-10mm
Hex Nut Torque: 5-14Nm
Mechanical Impact Protection: IK08
Agency Approvals: cURus

FEATURES & BENEFITS

- 25mm diameter panel cutout
- Ring illumination
- Multiple switch functions available
- Multiple illumination voltage options
- IP67 rated
- SPDT or DPDT
- UL Certified
- Soldered wire leads (300mm long) optional
- Detachable socket w/ wire leads (500mm long) optional
- Molded back w/ wire leads (500mm long) optional

PART NUMBER CONFIGURATOR

| Series | Actuator | Terminal | Function | Body Finish | Actuator Finish | Contact Material | Lens Style | LED Color | Illumination Voltage |
|--------|----------|---|--|--|--|---------------------------|----------------------------------|--|--|
| ULV8 | F - Flat | 2 - Solder Lug W - Wire Leads 300mm long P - Detachable Socket w/ Wire Leads 500mm long M - Molded Back w/ Wire Leads 500mm long | 3 - 1P ON-ON B - 1P ON-(ON)* G - 2P ON-ON H - 2P ON-(ON)* | S - Stainless Steel 1 - Black Anodized | S - Stainless Steel 1 - Black Anodized | None - Silver G - Gold | 3 - Ring, moveable with actuator | 0 - White 1 - Red 2 - Orange 3 - Green 4 - Blue 5 - Yellow G - Red / Green P - Green / Yellow | 1 - 3V 3 - 6V 4 - 12V 5 - 24V 6 - 110V 7 - 220V |

NOTES:
 *() denotes function is momentary

Specifications subject to change without notice 2.12.2020



E-SWITCH®

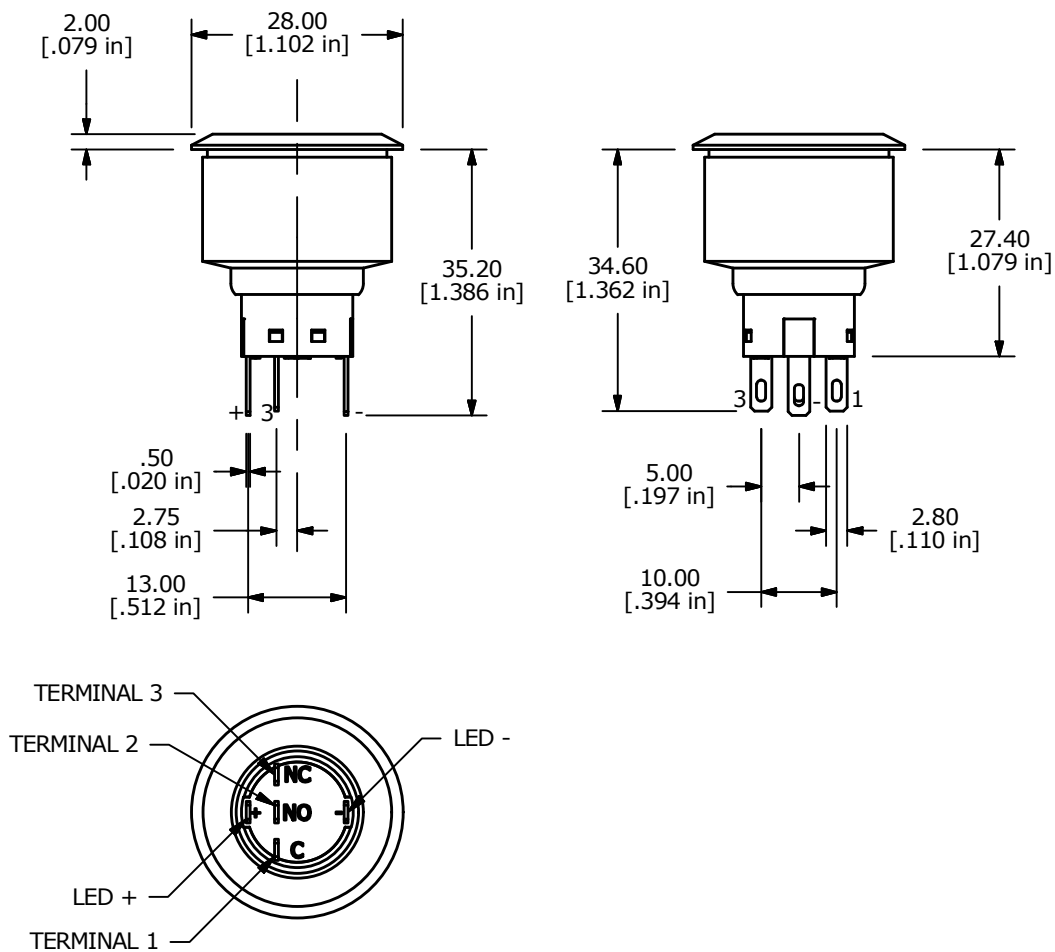
www.e-switch.com

800.867.2717

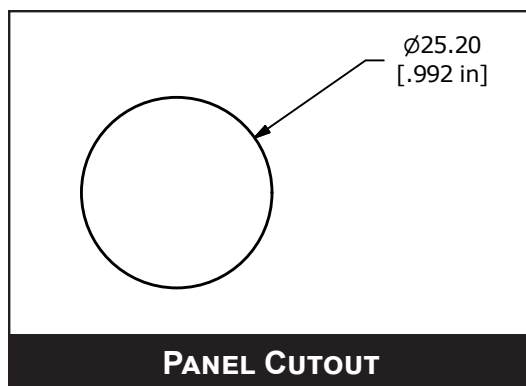
1

ULV8 SERIES ANTI-VANDAL SWITCH

BODY DIMENSIONS - SPDT

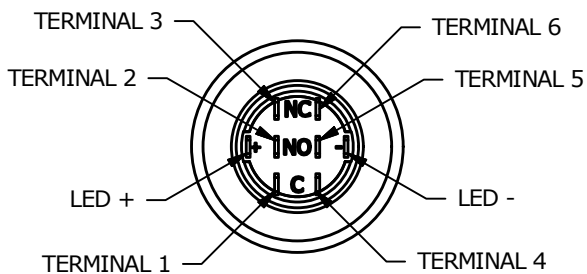
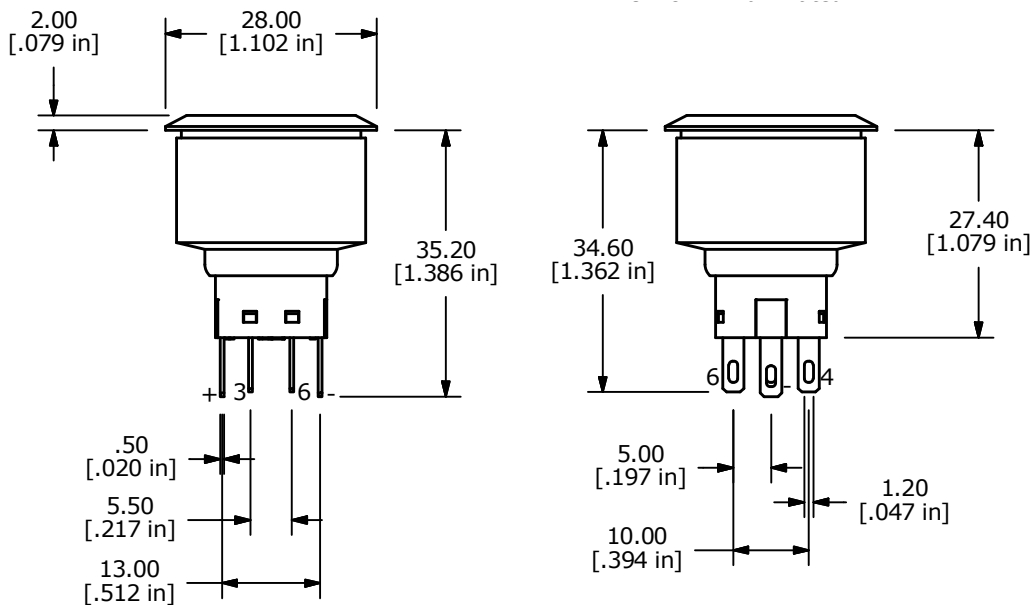


SPDT SWITCH DIMENSIONS

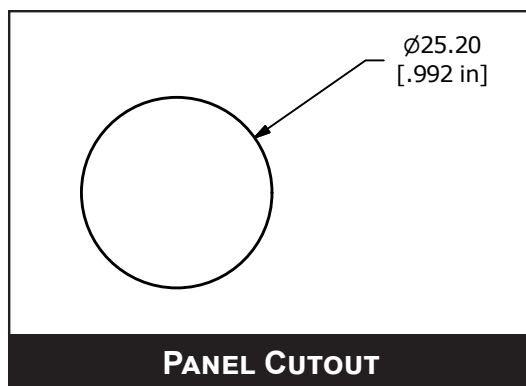


ULV8 SERIES ANTI-VANDAL SWITCH

BODY DIMENSIONS - DPDT

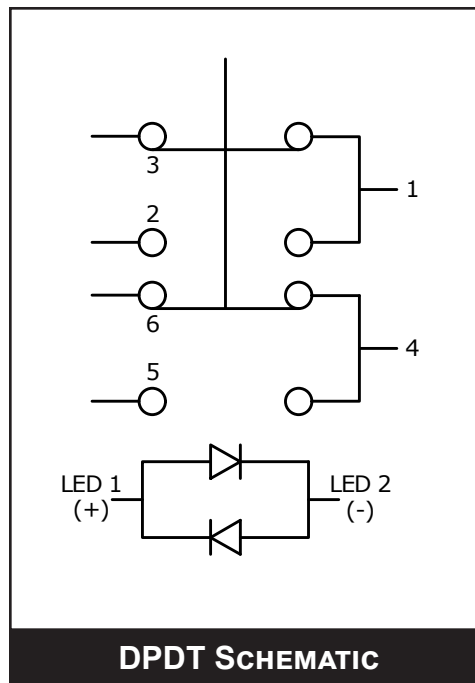
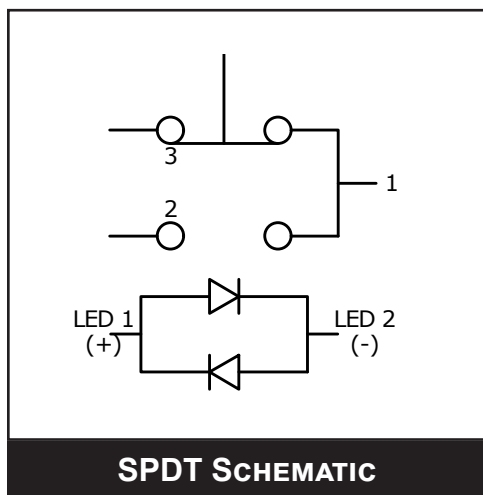


DPDT SWITCH DIMENSIONS

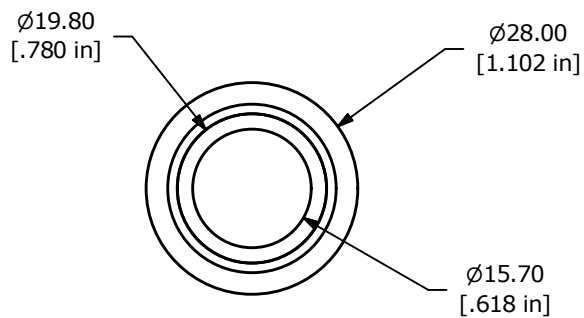


ULV8 SERIES ANTI-VANDAL SWITCH

SCHEMATICS



ACTUATOR OPTIONS



RING ILLUMINATED



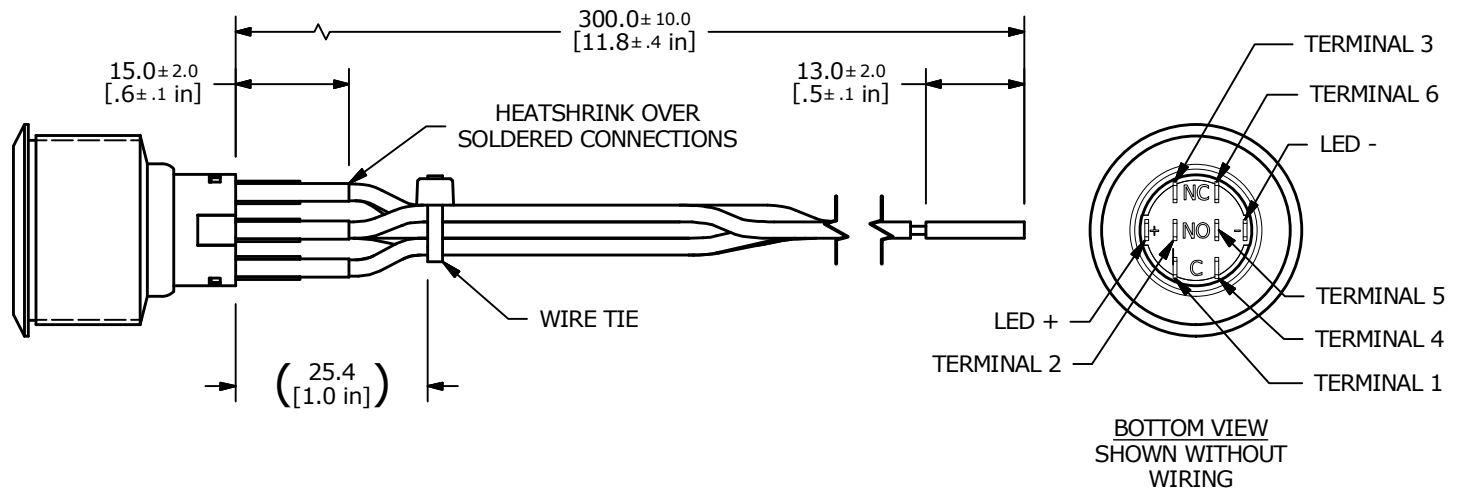
ULV8 SERIES ANTI-VANDAL SWITCH

WIRE OPTIONS

W - Wire Leads
300mm long

| SWITCH | WIRE | LENGTH |
|----------|--------------------------------|-----------------|
| SW1-1 | WIRE, 24AWG AWM UL1015, BLUE | 300.0 [11.8 in] |
| SW1-2 | WIRE, 24AWG AWM UL1015, PURPLE | 300.0 [11.8 in] |
| SW1-3 | WIRE, 24AWG AWM UL1015, GREEN | 300.0 [11.8 in] |
| SW1-4 | WIRE, 24AWG AWM UL1015, WHITE | 300.0 [11.8 in] |
| SW1-5 | WIRE, 24AWG AWM UL1015, ORANGE | 300.0 [11.8 in] |
| SW1-6 | WIRE, 24AWG AWM UL1015, YELLOW | 300.0 [11.8 in] |
| SW1- (-) | WIRE, 24AWG AWM UL1015, BLACK | 300.0 [11.8 in] |
| SW1- (+) | WIRE, 24AWG AWM UL1015, RED | 300.0 [11.8 in] |

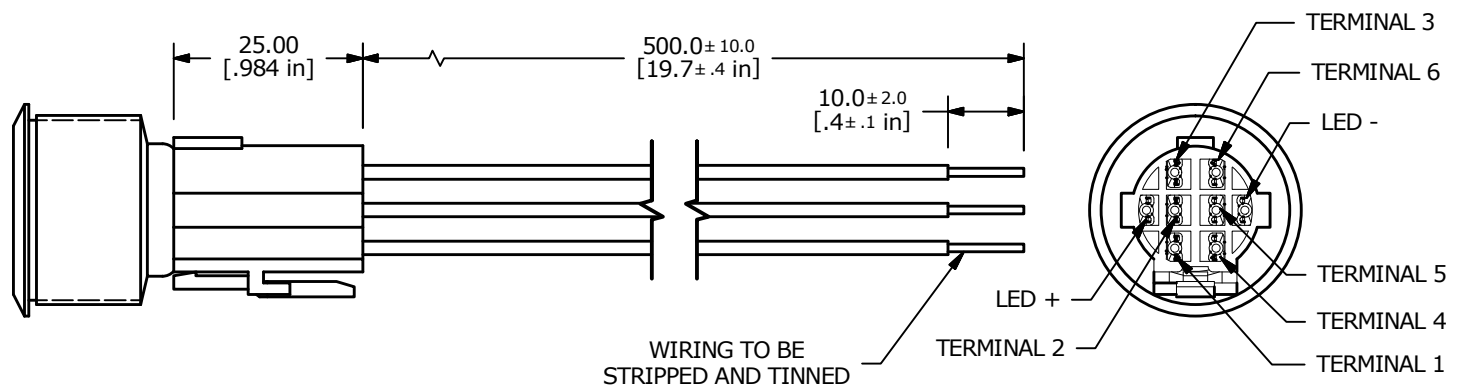
** WIRE LEADS PROVIDED ARE DEPENDANT ON THE FUNCTION SELECTED **



P - Detachable Socket
w/ Wire Leads
500mm long

| SWITCH | WIRE | LENGTH |
|----------|---------------------------------|-----------------|
| SW1-1 | WIRE, 18 AWG AWM UL3385, GREEN | 500.0 [18.0 in] |
| SW1-2 | WIRE, 18 AWG AWM UL3385, PURPLE | 500.0 [18.0 in] |
| SW1-3 | WIRE, 18 AWG AWM UL3385, YELLOW | 500.0 [18.0 in] |
| SW1-4 | WIRE, 18 AWG AWM UL3385, GREEN | 500.0 [18.0 in] |
| SW1-5 | WIRE, 18 AWG AWM UL3385, PURPLE | 500.0 [18.0 in] |
| SW1-6 | WIRE, 18 AWG AWM UL3385, YELLOW | 500.0 [18.0 in] |
| SW1- (-) | WIRE, 18 AWG AWM UL3385, BLACK | 500.0 [18.0 in] |
| SW1- (+) | WIRE, 18 AWG AWM UL3385, RED | 500.0 [18.0 in] |

** WIRE LEADS PROVIDED ARE DEPENDANT ON THE FUNCTION SELECTED **



ULV8 SERIES ANTI-VANDAL SWITCH

WIRE OPTIONS

M - Molded Back
w/ Wire Leads
500mm long

| SWITCH | WIRE | LENGTH |
|----------|---------------------------------|-----------------|
| SW1-1 | WIRE, 18 AWG AWM UL3385, GREEN | 500.0 [18.0 in] |
| SW1-2 | WIRE, 18 AWG AWM UL3385, PURPLE | 500.0 [18.0 in] |
| SW1-3 | WIRE, 18 AWG AWM UL3385, YELLOW | 500.0 [18.0 in] |
| SW1-4 | WIRE, 18 AWG AWM UL3385, GREEN | 500.0 [18.0 in] |
| SW1-5 | WIRE, 18 AWG AWM UL3385, PURPLE | 500.0 [18.0 in] |
| SW1-6 | WIRE, 18 AWG AWM UL3385, YELLOW | 500.0 [18.0 in] |
| SW1- (-) | WIRE, 18 AWG AWM UL3385, BLACK | 500.0 [18.0 in] |
| SW1- (+) | WIRE, 18 AWG AWM UL3385, RED | 500.0 [18.0 in] |

** WIRE LEADS PROVIDED ARE DEPENDANT ON THE FUNCTION SELECTED **

