

# ST SERIES - MINIATURE ROCKER & LEVER SWITCHES

N



## FEATURES

- Dry circuit through power ratings .
- Ultra-rugged construction SPDT & DPDT models with numerous options.
- Panel, panel & p.c. and p.c. mounting models, lighted and unlighted.

## SPECIFICATIONS

<b>Contact ratings (resistive loads):</b>	(Q) power models - coin silver: 6 Amps at 125 VAC, 3 Amps at 250 VAC or 7 Amps at 30 VDC. (B) dry circuit models - gold over nickel over brass: 0.4 VA max. at 20 V max. UL models - coin silver: 6 Amps at 125 VAC or 3 Amps at 250 VAC (75% power factor). UL file no. E66367. CSA models - coin silver: same ratings as UL models. CSA file no. LR54592-1.
<b>Initial contact resistance:</b>	3 milliohms max. at 3 VDC, 0.1 Amp.
<b>Insulation resistance:</b>	Greater than 200,000 megohms between terminals & case ground.
<b>Dielectric strength:</b>	Greater than 2000 VAC for 1 minute between terminals & case ground.
<b>Electrical life (resistive loads):</b>	100,000 cycles min. for ST1-1 & ST2-1. Other models, 40,000 cycles min.
<b>Operating temperature range:</b>	-30°C to +85°C

## MATERIALS

<b>Contacts:</b>	Coin silver for power, UL & CSA models. Gold over nickel over brass for dry circuit models.
<b>Actuator:</b>	J1 & J2 - Glass filled polyester. J3 & J4 - Nylon or acetal
<b>Bushing:</b>	Nickel plated brass
<b>Strap:</b>	Stainless steel
<b>Case:</b>	DAP, color blue
<b>Terminal seal:</b>	Epoxy (optional)
<b>Support bracket:</b>	Brass or steel, tin plated
<b>Spring mounting bracket:</b>	Stainless steel
<b>Bezel:</b>	Nylon. Available in black, red & white. Consult factory for other colors.
<b>Hardware:</b>	See 'Miscellaneous' section.
<b>LED:</b>	Intensity: 2.0 mcd at 10 mA. Forward voltage: 2.0V (3.0V max.). Max. continuous forward current: 15 mA for red, 30 mA for green & 20 mA for yellow. Red is standard. Yellow & green are optional. Specifications are subject to change without notice - consult factory.

## AGENCY RECOGNITION



UL, & CSA. Marking: Switches ordered by UL model number are supplied with recognition marking. Switches ordered by UL model no. and with '/CSA' added at end of model no. are supplied with both recognized marks.

## ABOUT THIS SERIES

The material in this series is organized in the following sequence:

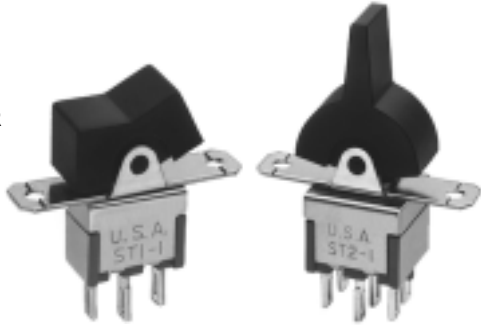
- Completely specified switch models
- Miscellaneous
- 'build your own switch' order format
- Option drawings & information
- Mounting information and panel cut-outs

SPECIFICATIONS SUBJECT TO CHANGE WITHOUT NOTICE

# ST SERIES - MINIATURE ROCKER & LEVER SWITCHES

## Solder lug terminals - panel mounting

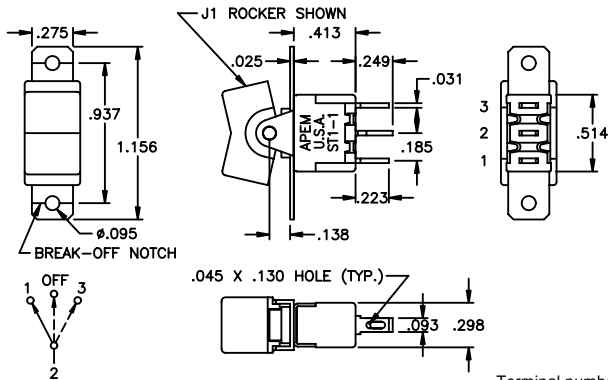
**SINGLE POLE WITH J1 ROCKER**



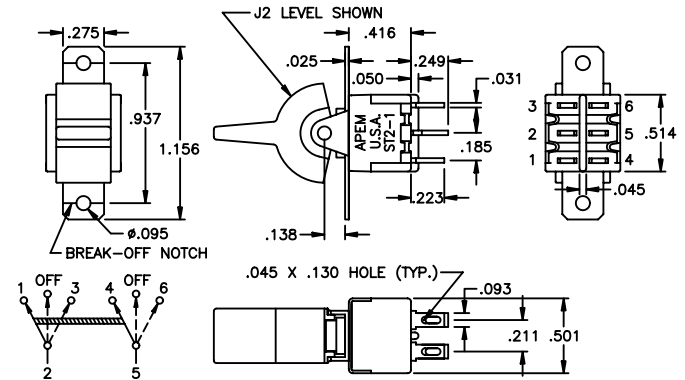
**DOUBLE POLE WITH J2 LEVER**

	POWER CKT. MODEL NO.	UL MODEL NO.	USA marking on other side		
Single pole	ST1-1L4S4ZQJ12	UL11L4S4ZQJ12	ON	NONE	ON
	ST1-2L4S4ZQJ12	UL12L4S4ZQJ12	ON	OFF	ON
	ST1-4L4S4ZQJ12	UL14L4S4ZQJ12	ON	OFF	MOM
Double pole	ST2-1L4S4ZQJ12	UL21L4S4ZQJ12	ON	NONE	ON
	ST2-2L4S4ZQJ12	UL22L4S4ZQJ12	ON	OFF	ON
	ST2-4L4S4ZQJ12	UL24L4S4ZQJ12	ON	OFF	MOM
	ST2-6L4S4ZQJ12	UL26L4S4ZQJ12	ON	ON	ON
	ST2-7L4S4ZQJ12	UL27L4S4ZQJ12	ON	ON	MOM
	ST2-8L4S4ZQJ12	UL28L4S4ZQJ12	MOM	ON	MOM
Terminals connected (-6, -7 & -8)			1-2,	1-2,	2-3,
			4-5	5-6	5-6

Above models have black actuator.



**SINGLE POLE**



**DOUBLE POLE**

## Straight p.c. terminals with bracket - p.c. mounting

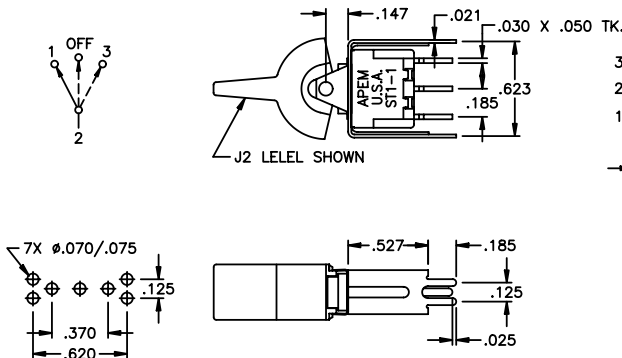
**SINGLE POLE WITH J1 ROCKER**



**DOUBLE POLE WITH J2 LEVER**

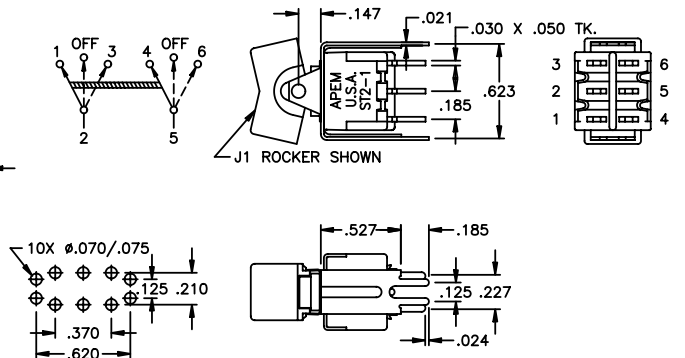
	DRY CKT. MODEL NO.	UL MODEL NO.	USA marking on other side		
Single pole	ST1-1L4S4V30BJ12	UL11L4S4V30QJ12	ON	NONE	ON
	ST1-2L4S4V30BJ12	UL12L4S4V30QJ12	ON	OFF	ON
	ST1-4L4S4V30BJ12	UL14L4S4V30QJ12	ON	OFF	MOM
Double pole	ST2-1L4S4V30BJ12	UL21L4S4V30QJ12	ON	NONE	ON
	ST2-2L4S4V30BJ12	UL22L4S4V30QJ12	ON	OFF	ON
	ST2-4L4S4V30BJ12	UL24L4S4V30QJ12	ON	OFF	MOM
	ST2-6L4S4V30BJ12	UL26L4S4V30QJ12	ON	ON	ON
	ST2-7L4S4V30BJ12	UL27L4S4V30QJ12	ON	ON	MOM
	ST2-8L4S4V30BJ12	UL28L4S4V30QJ12	MOM	ON	MOM
Terminals connected (-6, -7 & -8)			1-2,	1-2,	2-3,
			4-5	5-6	5-6

Above models have black actuator.



**SINGLE POLE**

Terminal numbers for reference only



**DOUBLE POLE**

# ST SERIES - MINIATURE ROCKER & LEVER SWITCHES

N

## Horizontal right angle p.c. terminals - p.c. mounting

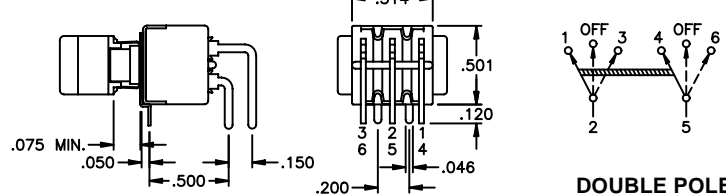
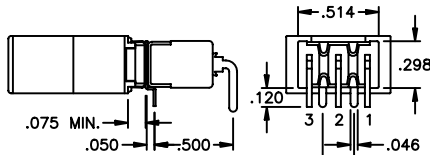
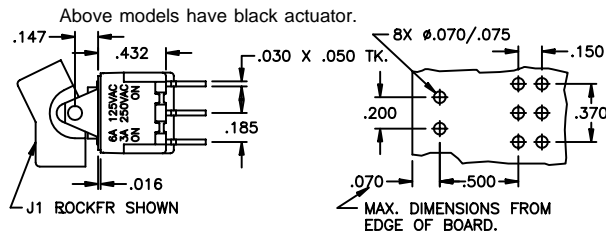
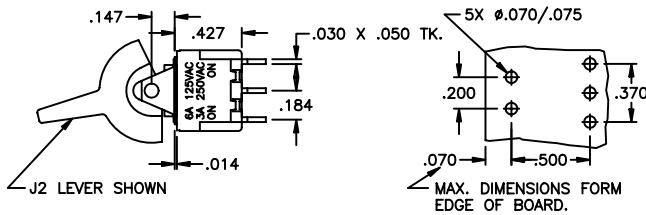


**SINGLE POLE WITH J1 ROCKER**



**DOUBLE POLE WITH J2 LEVER**

	DRY CKT. MODEL NO.	UL MODEL NO.	USA marking on other side		
Single pole	ST1-1L4S4A-1BJ12	UL11L4S4A-1QJ12	ON	NONE	ON
	ST1-2L4S4A-1BJ12	UL12L4S4A-1QJ12	ON	OFF	ON
	ST1-4L4S4A-1BJ12	UL14L4S4A-1QJ12	ON	OFF	MOM
Double pole	ST2-1L4S4A-1BJ12	UL21L4S4A-1QJ12	ON	NONE	ON
	ST2-2L4S4A-1BJ12	UL22L4S4A-1QJ12	ON	OFF	ON
	ST2-4L4S4A-1BJ12	UL24L4S4A-1QJ12	ON	OFF	MOM
Double pole	ST2-6L4S4A-1BJ12	UL26L4S4A-1QJ12	ON	ON	ON
	ST2-7L4S4A-1BJ12	UL27L4S4A-1QJ12	ON	ON	MOM
	ST2-8L4S4A-1BJ12	UL28L4S4A-1QJ12	MOM	ON	MOM
Terminals connected (-6, -7 & -8)			1-2, 4-5	1-2, 5-6	2-3, 5-6



**SINGLE POLE**

**DOUBLE POLE**

Terminal numbers for reference only

## Vertical right angle p.c. terminals - p.c. mounting

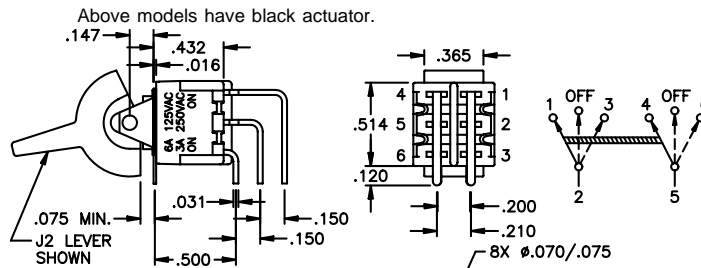
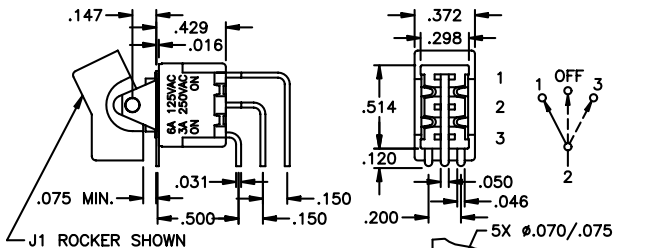


**SINGLE POLE WITH J1 ROCKER**



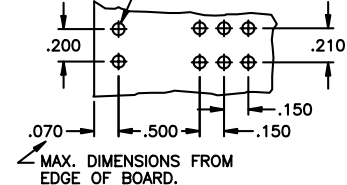
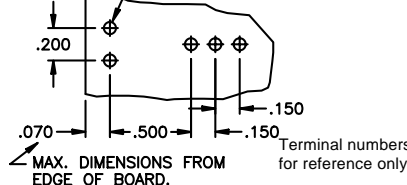
**DOUBLE POLE WITH J2 LEVER**

	DRY CKT. MODEL NO.	UL MODEL NO.	USA marking on other side		
Single pole	ST1-1L4S4V-1BJ12	UL11L4S4V-1QJ12	ON	NONE	ON
	ST1-2L4S4V-1BJ12	UL12L4S4V-1QJ12	ON	OFF	ON
	ST1-4L4S4V-1BJ12	UL14L4S4V-1QJ12	ON	OFF	MOM
Double pole	ST2-1L4S4V-1BJ12	UL21L4S4V-1QJ12	ON	NONE	ON
	ST2-2L4S4V-1BJ12	UL22L4S4V-1QJ12	ON	OFF	ON
	ST2-4L4S4V-1BJ12	UL24L4S4V-1QJ12	ON	OFF	MOM
Double pole	ST2-6L4S4V-1BJ12	UL26L4S4V-1QJ12	ON	ON	ON
	ST2-7L4S4V-1BJ12	UL27L4S4V-1QJ12	ON	ON	MOM
	ST2-8L4S4V-1BJ12	UL28L4S4V-1QJ12	MOM	ON	MOM
Terminals connected (-6, -7 & -8)			1-2, 4-5	1-2, 5-6	2-3, 5-6



**SINGLE POLE**

**DOUBLE POLE**



Terminal numbers for reference only

SPECIFICATIONS SUBJECT TO CHANGE WITHOUT NOTICE

# ST SERIES - MINIATURE ROCKER & LEVER SWITCHES

## Solder lug terminals - snap-in bezel with outboard LED

**SINGLE POLE WITH J3 ROCKER**

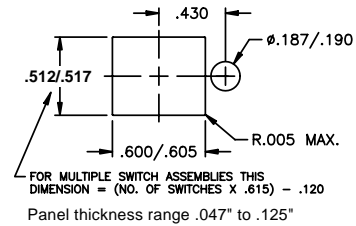
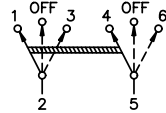
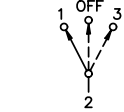
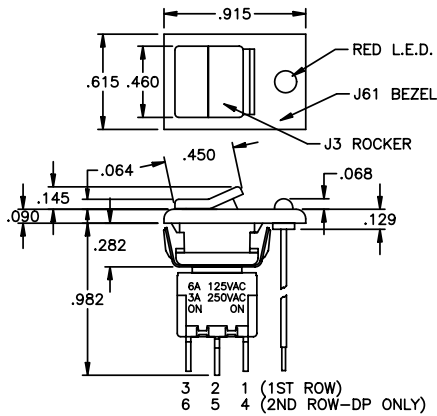


**DOUBLE POLE WITH J4 LEVER**



		POWER CKT. MODEL NO.	UL MODEL NO.	USA marking on other side		
Single pole	ST1-1L5S5ZQJ3J6122	UL11L5S5ZQJ3J6122	ON	NONE	ON	
	ST1-2L5S5ZQJ3J6122	UL12L5S5ZQJ3J6122	ON	OFF	ON	
	ST1-4L5S5ZQJ3J6122	UL14L5S5ZQJ3J6122	ON	OFF	MOM	
Double pole	ST2-1L5S5ZQJ3J6122	UL21L5S5ZQJ3J6122	ON	NONE	ON	
	ST2-2L5S5ZQJ3J6122	UL22L5S5ZQJ3J6122	ON	OFF	ON	
	ST2-4L5S5ZQJ3J6122	UL24L5S5ZQJ3J6122	ON	OFF	MOM	
	ST2-6L5S5ZQJ3J6122	UL26L5S5ZQJ3J6122	ON	ON	ON	
	ST2-7L5S5ZQJ3J6122	UL27L5S5ZQJ3J6122	ON	ON	MOM	
	ST2-8L5S5ZQJ3J6122	UL28L5S5ZQJ3J6122	MOM	ON	MOM	
Terminals connected (-6, -7 & -8)			1-2, 4-5	1-2, 5-6	2-3, 5-6	

Above models have black bezel & actuator.



Terminal numbers for reference only

## Solder lug terminals - snap-in bezel

**SINGLE POLE WITH J3 ROCKER**

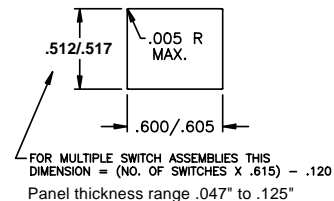
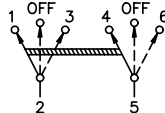
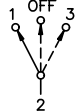
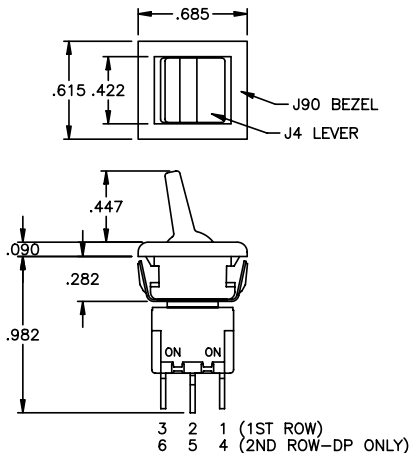


**DOUBLE POLE WITH J4 LEVER**



		POWER CKT. MODEL NO.	UL MODEL NO.	USA marking on other side		
Single pole	ST1-1L5S5ZQJ4J9022	UL11L5S5ZQJ4J9022	ON	NONE	ON	
	ST1-2L5S5ZQJ4J9022	UL12L5S5ZQJ4J9022	ON	OFF	ON	
	ST1-4L5S5ZQJ4J9022	UL14L5S5ZQJ4J9022	ON	OFF	MOM	
Double pole	ST2-1L5S5ZQJ4J9022	UL21L5S5ZQJ4J9022	ON	NONE	ON	
	ST2-2L5S5ZQJ4J9022	UL22L5S5ZQJ4J9022	ON	OFF	ON	
	ST2-4L5S5ZQJ4J9022	UL24L5S5ZQJ4J9022	ON	OFF	MOM	
	ST2-6L5S5ZQJ4J9022	UL26L5S5ZQJ4J9022	ON	ON	ON	
	ST2-7L5S5ZQJ4J9022	UL27L5S5ZQJ4J9022	ON	ON	MOM	
	ST2-8L5S5ZQJ4J9022	UL28L5S5ZQJ4J9022	MOM	ON	MOM	
Terminals connected (-6, -7 & -8)			1-2, 4-5	1-2, 5-6	2-3, 5-6	

Above models have black bezel & actuator.



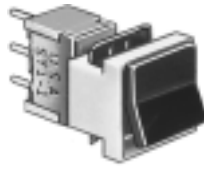
Terminal numbers for reference only

# ST SERIES - MINIATURE ROCKER & LEVER SWITCHES

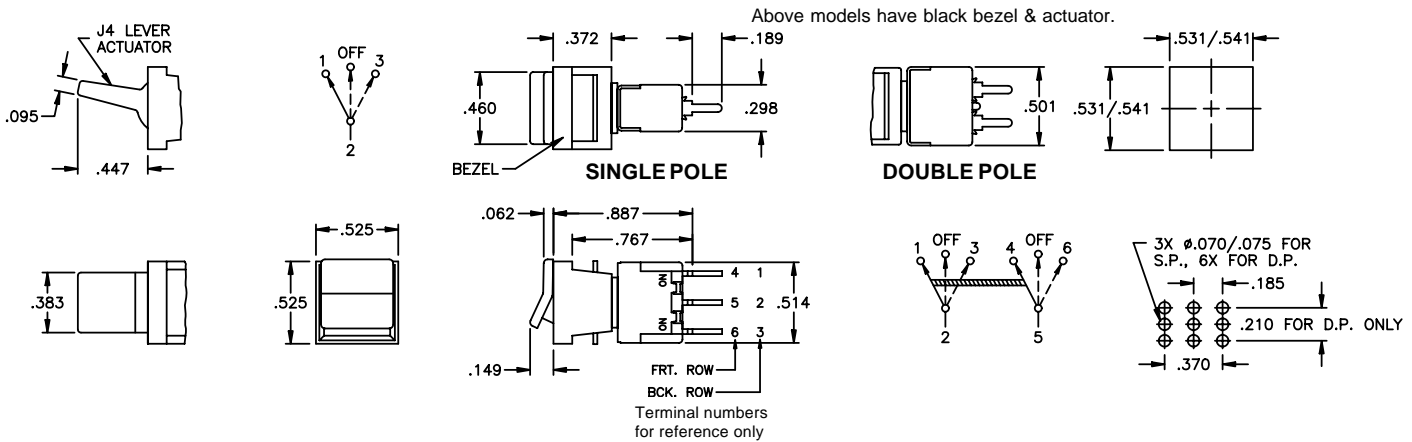
N

## Straight p.c. terminals - p.c. mounting bezel

**SINGLE POLE WITH J3 ROCKER**



	DRY CKT. MODEL NO.	UL MODEL NO.	USA marking on other side		
Single pole	ST1-1L5S5CBJ3J9322	UL11L5S5CQJ3J9322	ON	NONE	ON
	ST1-2L5S5CBJ3J9322	UL12L5S5CQJ3J9322	ON	OFF	ON
	ST1-4L5S5CBJ3J9322	UL14L5S5CQJ3J9322	ON	OFF	MOM
Double pole	ST2-1L5S5CBJ3J9322	UL21L5S5CQJ3J9322	ON	NONE	ON
	ST2-2L5S5CBJ3J9322	UL22L5S5CQJ3J9322	ON	OFF	ON
	ST2-4L5S5CBJ3J9322	UL24L5S5CQJ3J9322	ON	OFF	MOM
	ST2-6L5S5CBJ3J9322	UL26L5S5CQJ3J9322	ON	ON	ON
	ST2-7L5S5CBJ3J9322	UL27L5S5CQJ3J9322	ON	ON	MOM
	ST2-8L5S5CBJ3J9322	UL28L5S5CQJ3J9322	MOM	ON	MOM
Terminals connected (-6, -7 & -8)			1-2, 4-5	1-2, 5-6	2-3, 5-6

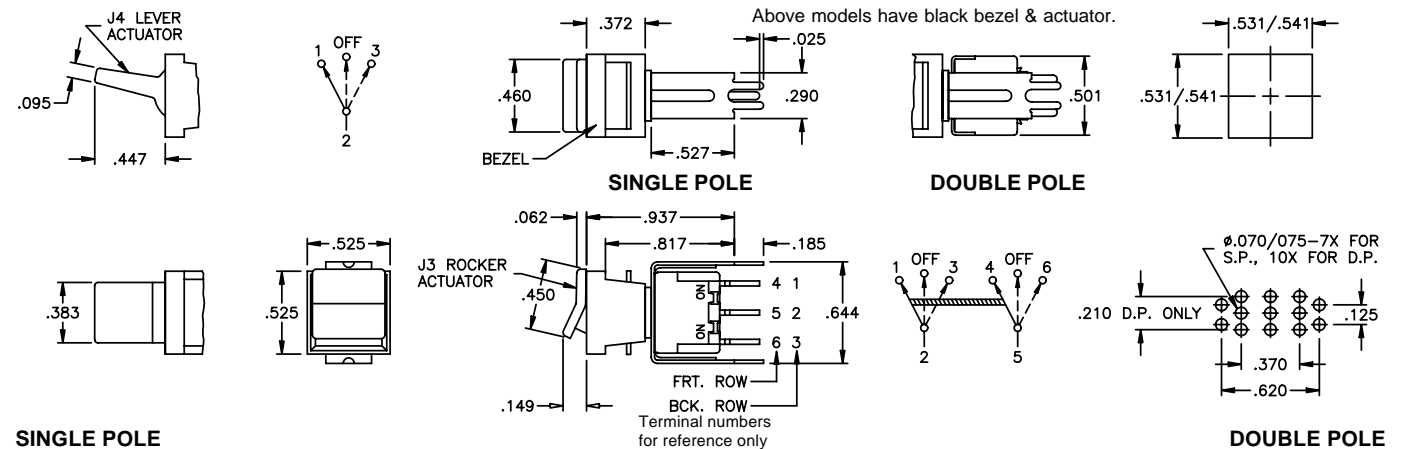


## Straight p.c. terminals w/bracket - p.c. mounting bezel

**SINGLE POLE WITH J4 LEVER**



	DRY CKT. MODEL NO.	UL MODEL NO.	USA marking on other side		
Single pole	ST1-1L5S5V30BJ3J9322	UL11L5S5V30QJ3J9322	ON	NONE	ON
	ST1-2L5S5V30BJ3J9322	UL12L5S5V30QJ3J9322	ON	OFF	ON
	ST1-4L5S5V30BJ3J9322	UL14L5S5V30QJ3J9322	ON	OFF	MOM
Double pole	ST2-1L5S5V30BJ3J9322	UL21L5S5V30QJ3J9322	ON	NONE	ON
	ST2-2L5S5V30BJ3J9322	UL22L5S5V30QJ3J9322	ON	OFF	ON
	ST2-4L5S5V30BJ3J9322	UL24L5S5V30QJ3J9322	ON	OFF	MOM
	ST2-6L5S5V30BJ3J9322	UL26L5S5V30QJ3J9322	ON	ON	ON
	ST2-7L5S5V30BJ3J9322	UL27L5S5V30QJ3J9322	ON	ON	MOM
	ST2-8L5S5V30BJ3J9322	UL28L5S5V30QJ3J9322	MOM	ON	MOM
Terminals connected (-6, -7 & -8)			1-2, 4-5	1-2, 5-6	2-3, 5-6



SPECIFICATIONS SUBJECT TO CHANGE WITHOUT NOTICE

# ST SERIES - MINIATURE ROCKER & LEVER SWITCHES

## Horizontal right angle p.c. terminals - p.c. mtg. bezel

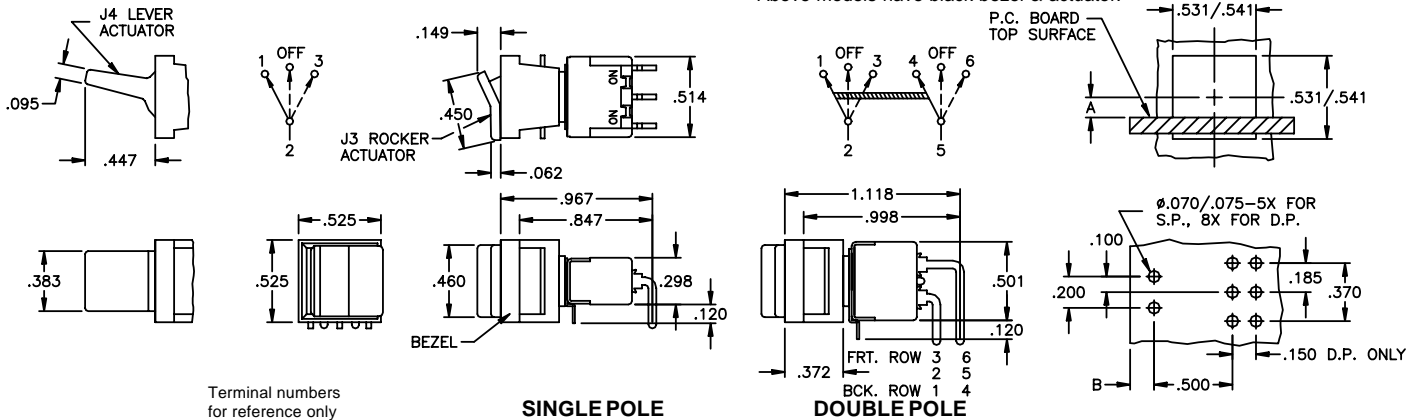
**SINGLE POLE WITH J3 ROCKER**



Poles	Option	Dim. A	Dim. B
SP	A	.148	.045 max.
SP	A-1	.164	.095 max.
DP	A	.250	.300 max.
DP	A-1	.266	.350 max.

	DRY CKT. MODEL NO.	UL MODEL NO.	USA marking on other side			
Single pole	ST1-1L5S5A-1BJ3J9322	UL11L5S5A-1QJ3J9322	ON	NONE	ON	
	ST1-2L5S5A-1BJ3J9322	UL12L5S5A-1QJ3J9322	ON	OFF	ON	
	ST1-4L5S5A-1BJ3J9322	UL14L5S5A-1QJ3J9322	ON	OFF	MOM	
Double pole	ST2-1L5S5A-1BJ3J9322	UL21L5S5A-1QJ3J9322	ON	NONE	ON	
	ST2-2L5S5A-1BJ3J9322	UL22L5S5A-1QJ3J9322	ON	OFF	ON	
	ST2-4L5S5A-1BJ3J9322	UL24L5S5A-1QJ3J9322	ON	OFF	MOM	
ST2-6L5S5A-1BJ3J9322			UL26L5S5A-1QJ3J9322	ON	ON	ON
ST2-7L5S5A-1BJ3J9322			UL27L5S5A-1QJ3J9322	ON	ON	MOM
ST2-8L5S5A-1BJ3J9322			UL28L5S5A-1QJ3J9322	MOM	ON	MOM
Terminals connected (-6, -7 & -8)			1-2,	1-2,	2-3,	
			4-5	5-6	5-6	

Above models have black bezel & actuator.



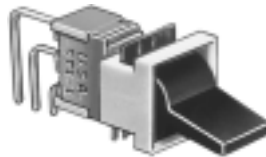
Terminal numbers for reference only

**SINGLE POLE**

**DOUBLE POLE**

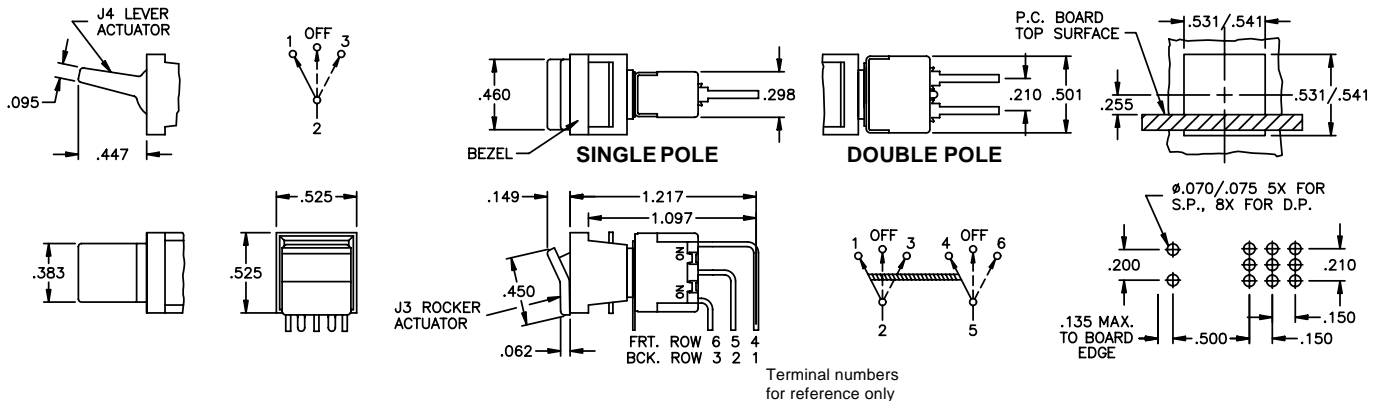
## Vertical right angle p.c. terminals - p.c. mtg. bezel

**SINGLE POLE WITH J4 LEVER**



	DRY CKT. MODEL NO.	UL MODEL NO.	USA marking on other side		
Single pole	ST1-1L5S5V-1BJ3J9322	UL11L5S5V-1QJ3J9322	ON	NONE	ON
	ST1-2L5S5V-1BJ3J9322	UL12L5S5V-1QJ3J9322	ON	OFF	ON
	ST1-3L5S5V-1BJ3J9322	UL13L5S5V-1QJ3J9322	MOM	OFF	MOM
	ST1-4L5S5V-1BJ3J9322	UL14L5S5V-1QJ3J9322	ON	OFF	MOM
	ST1-5L5S5V-1BJ3J9322	UL15L5S5V-1QJ3J9322	ON	NONE	MOM
Double pole	ST2-1L5S5V-1BJ3J9322	UL21L5S5V-1QJ3J9322	ON	NONE	ON
	ST2-2L5S5V-1BJ3J9322	UL22L5S5V-1QJ3J9322	ON	OFF	ON
	ST2-3L5S5V-1BJ3J9322	UL23L5S5V-1QJ3J9322	MOM	OFF	MOM
	ST2-4L5S5V-1BJ3J9322	UL24L5S5V-1QJ3J9322	ON	OFF	MOM
	ST2-5L5S5V-1BJ3J9322	UL25L5S5V-1QJ3J9322	ON	NONE	MOM
	ST2-6L5S5V-1BJ3J9322	UL26L5S5V-1QJ3J9322	ON	ON	ON
	ST2-7L5S5V-1BJ3J9322	UL27L5S5V-1QJ3J9322	ON	ON	MOM
	ST2-8L5S5V-1BJ3J9322	UL28L5S5V-1QJ3J9322	MOM	ON	MOM
Terminals connected (-6, -7 & -8)			1-2,	1-2,	2-3,
			4-5	5-6	5-6

Above models have black bezel & actuator.



Terminal numbers for reference only

# ST SERIES - MINIATURE ROCKER & LEVER SWITCHES

N

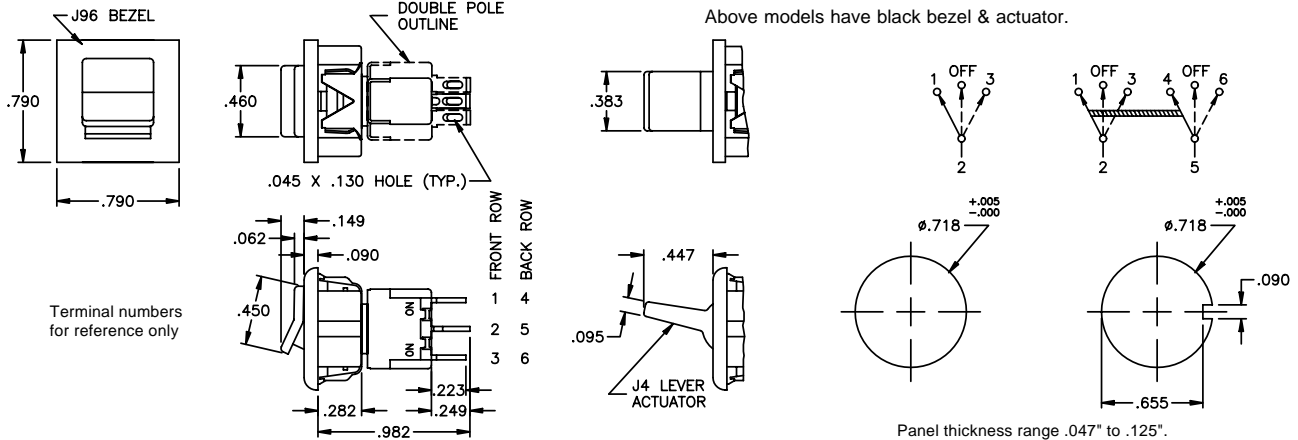
**Snap-in bezel for round hole mounting**  
Self-keying against rotation

ST1-1L5S5ZQJ4J9682



	POWER CKT. MODEL NO.	UL MODEL NO.	USA marking on other side		
Single pole	ST1-1L5S5ZQJ4J9622	UL11L5S5ZQJ4J9622	ON	NONE	ON
	ST1-2L5S5ZQJ4J9622	UL12L5S5ZQJ4J9622	ON	OFF	ON
	ST1-4L5S5ZQJ4J9622	UL14L5S5ZQJ4J9622	ON	OFF	MOM
Double pole	ST2-1L5S5ZQJ4J9622	UL21L5S5ZQJ4J9622	ON	NONE	ON
	ST2-2L5S5ZQJ4J9622	UL22L5S5ZQJ4J9622	ON	OFF	ON
	ST2-4L5S5ZQJ4J9622	UL24L5S5ZQJ4J9622	ON	OFF	MOM
	ST2-6L5S5ZQJ4J9622	UL26L5S5ZQJ4J9622	ON	ON	ON
	ST2-7L5S5ZQJ4J9622	UL27L5S5ZQJ4J9622	ON	ON	MOM
	ST2-8L5S5ZQJ4J9622	UL28L5S5ZQJ4J9622	MOM	ON	MOM
Terminals connected (-6, -7 & -8)			1-2, 4-5	1-2, 5-6	2-3, 5-6

Above models have black bezel & actuator.

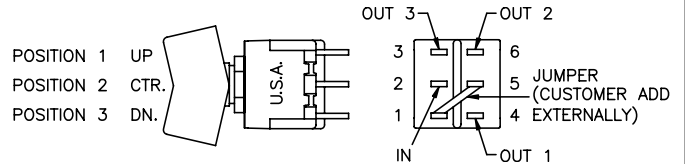


## MISCELLANEOUS

### ST2-6, -7 & -8 SWITCHES

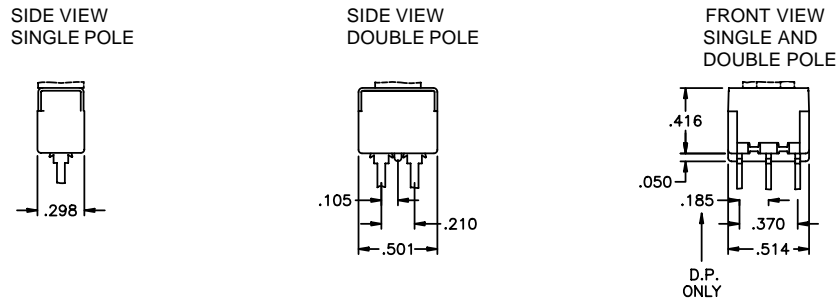
May be wired as a single pole 3 position switch; add external jumper between terminals 1 & 5, then:

Common terminal is 2  
Output 1 - terminal 4  
Output 2 - terminal 6  
Output 3 - terminal 3



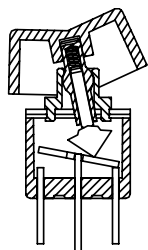
## SWITCH BODY

SIZES WITH  
TERMINAL  
LOCATION  
DIMENSIONS

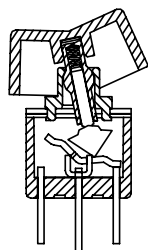


## TYPICAL SWITCH CROSS SECTIONS

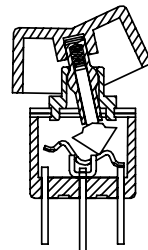
Note: Contacts make opposite actuator direction.



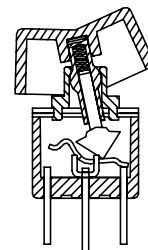
ON NONE ON



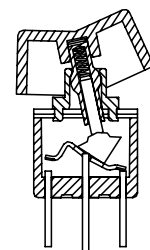
ON OFF ON



MOM OFF MOM



ON OFF MOM



ON NONE MOM

SPECIFICATIONS SUBJECT TO CHANGE WITHOUT NOTICE

# ST SERIES - MINIATURE ROCKER & LEVER SWITCHES

**Additional ordering information:** Commonly ordered models are shown on prior pages with complete model numbers and specifications. Below is an order format that enables you to 'build your own switch' and specify the correct switch model number by simply selecting from all available options shown and filling in the boxes.

## 'BUILD YOUR OWN SWITCH' ORDER FORMAT

Fill in boxes with selections shown for **Model Structure**, then add **Options** selections for complete model number. Allowable options are shown below each respective box with brief description - see option dwgs. & info. following. Note: 'NONE' indicates box may be left empty.

### Model Structure:

Series	Electrical functions	Sub-actuators	Sub-Bushings	Terminations	Contact materials
<input type="text"/>	<input type="text"/>	<input type="text"/>	<input type="text"/>	<input type="text"/>	<input type="text"/>
Single pole: <b>S T 1 -</b>	1 ON NONE ON 2 ON OFF ON	<b>L 4</b> Specify without bezel	<b>S 4</b> Specify without bezel	<b>Z</b> Solder lug <b>C</b> Printed circuit <b>W</b> Wirewrap	<b>B</b> Gold <b>Q</b> Coin silver
Double pole: <b>S T 2 -</b>	4 ON OFF MOM Following for DP only 6 ON ON ON	<b>L 5</b> Specify with bezel	<b>S 5</b> Specify with bezel	<b>W 1</b> Lg. wirewrap <b>W 3</b> Sht. wirewrap <b>X</b> Extra lg. wirewrap	<b>G</b> Gold over coin silver <b>N</b> Economy gold
D.P. UL model: <b>U L 2</b>	7 ON ON MOM 8 MOM ON MOM			Horiz. right angle p.c.: <b>A</b> <b>A - 1</b> Vertical right angle p.c.: <b>V</b> <b>V - 1</b> <b>V - 2</b> Straight p.c. terms. w/brkt.: <b>V 3 0</b>	<b>T</b> Economy silver

Although most combinations of options are available, some may result in incompatibilities. Consult factory if there is any question.

Example of completely specified model number:

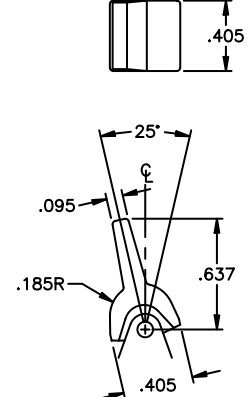
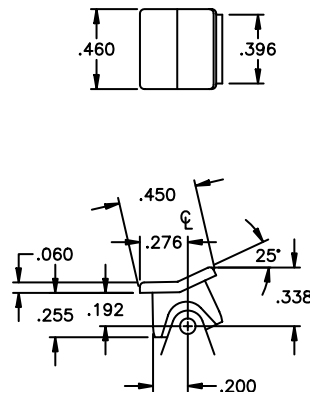
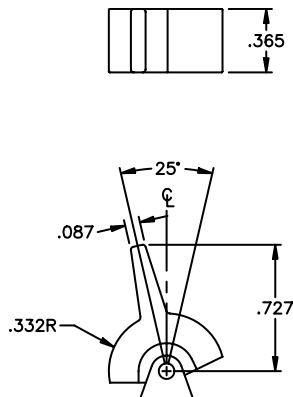
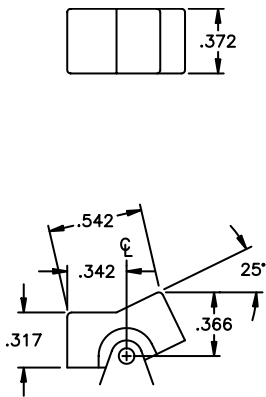
**ST2-3L5S5ZQEJ4J9622**

### Options:

Sealing	Actuator	Bezel	Bezel color	Actuator color	Recognition
<input type="text"/>	<input type="text"/>	<input type="text"/>	<input type="text"/>	<input type="text"/>	<input type="text"/>
(NONE) E Epoxy	<b>J 1</b> Rocker <b>J 2</b> Lever <b>J 3</b> Small rocker <b>J 4</b> Small lever	(NONE) <b>J 6 1</b> Snap-in w/LED <b>J 9 0</b> Snap-in no LED <b>J 9 3</b> P.C. style Self-keying round hole mt.: <b>J 9 6</b> Snap-in no LED <b>Note: specify J3 or J4 actuators only with bezels.</b>	(NONE) <b>2</b> Black <b>6</b> Red <b>8</b> White	<b>2</b> Black <b>6</b> Red <b>8</b> White <b>Note: J3 &amp; J4 actuators available in black only.</b>	(NONE) <b>/ C S A</b> CSA lising

## ACTUATOR OPTIONS

Colors available: J1 & J2: Black, red or white. J3 & J4: Black.



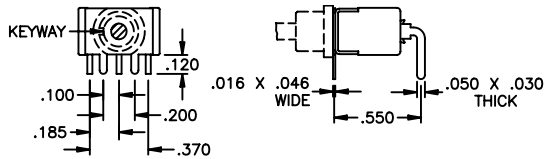


# ST SERIES - MINIATURE ROCKER & LEVER SWITCHES

## TERMINATION OPTIONS

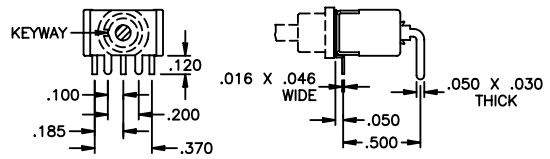
N

A



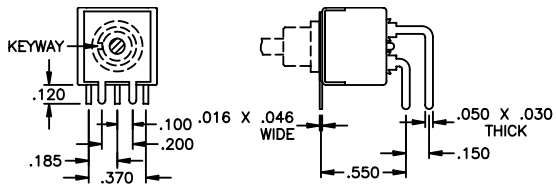
SINGLE POLE HORIZONTAL P.C. MOUNTING

A-1



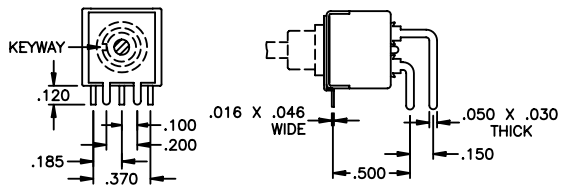
SINGLE POLE HORIZONTAL P.C. MOUNTING

A



DOUBLE POLE HORIZONTAL P.C. MOUNTING

A-1



DOUBLE POLE HORIZONTAL P.C. MOUNTING

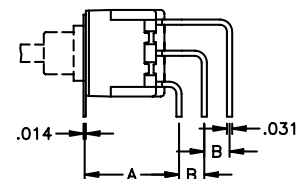
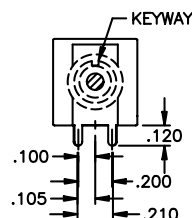
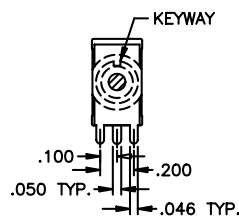
## V, V-1 & V-2

FRONT VIEW SINGLE POLE

FRONT VIEW DOUBLE POLE

SIDE VIEW - SINGLE & DOUBLE POLE

Option	Dim. A	Dim. B
V	.550	.150
V-1	.500	.150
V-2	.500	.100

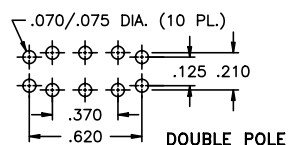
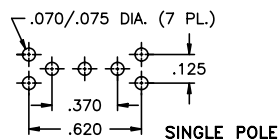


VERTICAL P.C. MOUNTING

## V30 & V40

PANEL LAYOUT  
V30, V31, V40 & V41

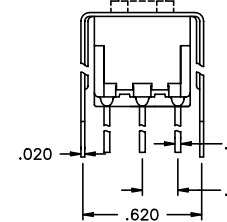
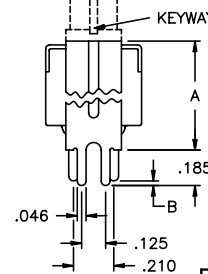
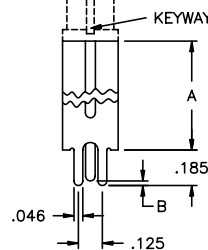
Option	Dim. A	Dim. B
V30	.527	.024
V40	.647	.048



FRONT VIEW SINGLE POLE

FRONT VIEW DOUBLE POLE

SIDE VIEW - SINGLE AND DOUBLE POLE



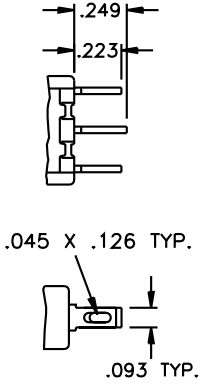
PRINTED CIRCUIT MOUNTING

SPECIFICATIONS SUBJECT TO CHANGE WITHOUT NOTICE

# ST SERIES - MINIATURE ROCKER & LEVER SWITCHES

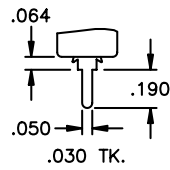
## TERMINATION OPTIONS (CONT'D.)

**Z**



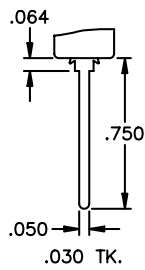
**SOLDER LUG**

**C**



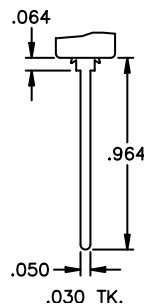
**PRINTED CIRCUIT**

**W**



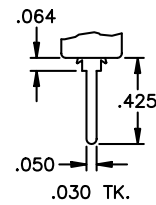
**WIREWRAP**

**W1**



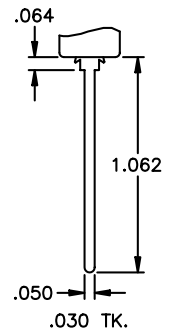
**LONG WIREWRAP**

**W3**



**SHORT WIREWRAP**

**X**



**EXTRA LG. WIREWRAP**

## CONTACT MATERIAL OPTIONS

**B**

Dry circuit - gold over nickel over brass.  
 RATING: 0.4 Volt-Amps (VA) max. at 20 V max.  
 ELECTRIC LIFE: 100,000 cycles min. (ST1-1 & ST2-1 only - other models 40,000 cycles min.)

**Q**

Power circuit - coin silver.  
 RATING: 6 Amps at 125 VAC, 3 Amps at 250 VAC or 7 Amps at 30 VDC (resistive loads).  
 ELECTRIC LIFE: 100,000 cycles min. (ST1-1 & ST2-1 only - other models 40,000 cycles min.)

**G**

Dry circuit or power circuit - gold over nickel over coin silver.  
 RATINGS & ELECTRIC LIFE: Same as B & Q above - i.e. - can be used in either dry circuit or power circuit, however once used in power circuit, switch cannot be re-used in dry circuit. This option satisfies those customers who have both dry circuit and power circuit requirements, but prefer to inventory only one switch for both.

**N**

Dry circuit - gold over nickel over brass. Note- less gold than B option.  
 RATING: 0.4 Volt-Amps (VA) max. at 20 V max.  
 ELECTRIC LIFE: 10,000 cycles min. at 13 cycles per minute.

**T**

Power circuit - Silver plate over brass.  
 RATING: 3 Amps at 125 VAC or 1.5 Amps at 250 VAC (resistive loads).  
 ELECTRIC LIFE: 10,000 cycles min. at 13 cycles per minute.

Solder dipped terminals and custom contact plating available - contact factory.

## UL & CSA OPTIONS

**UL**

For power circuits - coin silver  
 RATING: 6 Amps at 125 VAC or 3 Amps at 250 VAC (75% power factor).  
 Underwriter Laboratories file no. E66367. To specify, order UL model no. Note - applicable only to terminations with coin silver contacts (Q or G options).

**CSA**

For power circuits - coin silver  
 RATING: 6 Amps at 125 VAC or 3 Amps at 250 VAC (75% power factor). Canadian Standards Association file no. LR54592-1. To specify, order UL model number, then add '/CSA' to complete switch number. Note - applicable only to terminations with coin silver contacts (Q or G options) as CSA recognizes switches for power applications only.

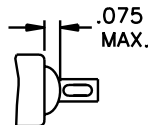
## SEALING & MISCELLANEOUS OPTIONS

**E**

Epoxy terminal sealing: Available with all terminal configurations.

The space between terminal & case hole is sealed with epoxy all around terminal.

Provides maximum protection from entry of flux or contaminants into the switch case.



**/R**

To specify reverse switch action on non-symmetrical models with bushing keyway, add '/R' to switch model no.

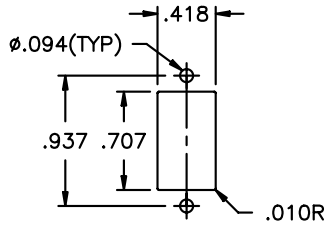
SPECIFICATIONS SUBJECT TO CHANGE WITHOUT NOTICE

N

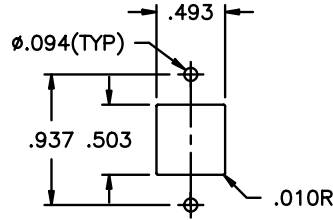
# ST SERIES - MINIATURE ROCKER & LEVER SWITCHES

## MOUNTING INFORMATION & PANEL CUT-OUTS

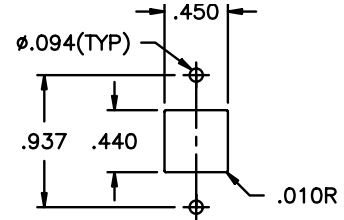
N



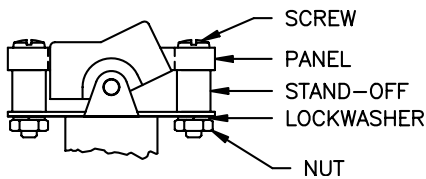
J1 OR J2		
Panel thickness.	Hardware number	Stand-off length
1/16"	A322-3	.295
3/32"	A322-2	.264
1/8"	A322-1	.233



J3		
Panel thickness.	Hardware number	Stand-off length
1/16"	A322-2	.264
3/32"	A322-1	.233
1/8"	A322-4	.202



J4		
Panel thickness.	Hardware number	Stand-off length
1/16"	A322-1	.233
3/32"	A322-4	.202
1/8"	A322-5	.171



**TYPICAL ASSEMBLY**

Mounting hardware consists of 2 each:  
 Hex Nut, stainless steel  
 Screw, stainless steel  
 Lockwasher, stainless steel  
 Stand-off, aluminum

**1/8" panel hardware supplied if not specified separately by hardware number shown in tables.**

SPECIFICATIONS SUBJECT TO CHANGE WITHOUT NOTICE