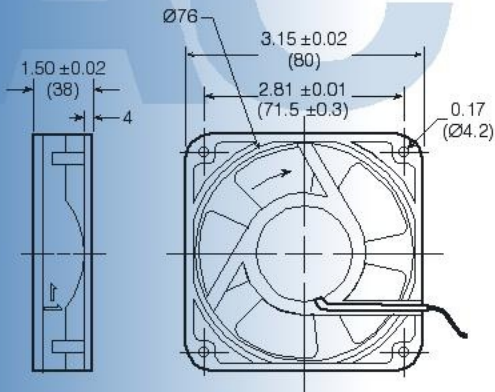
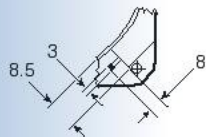


# UF80A Series



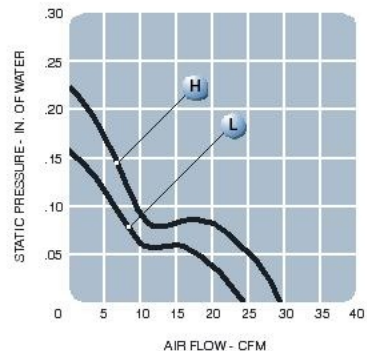
LEAD WIRE



TERMINAL TYPE

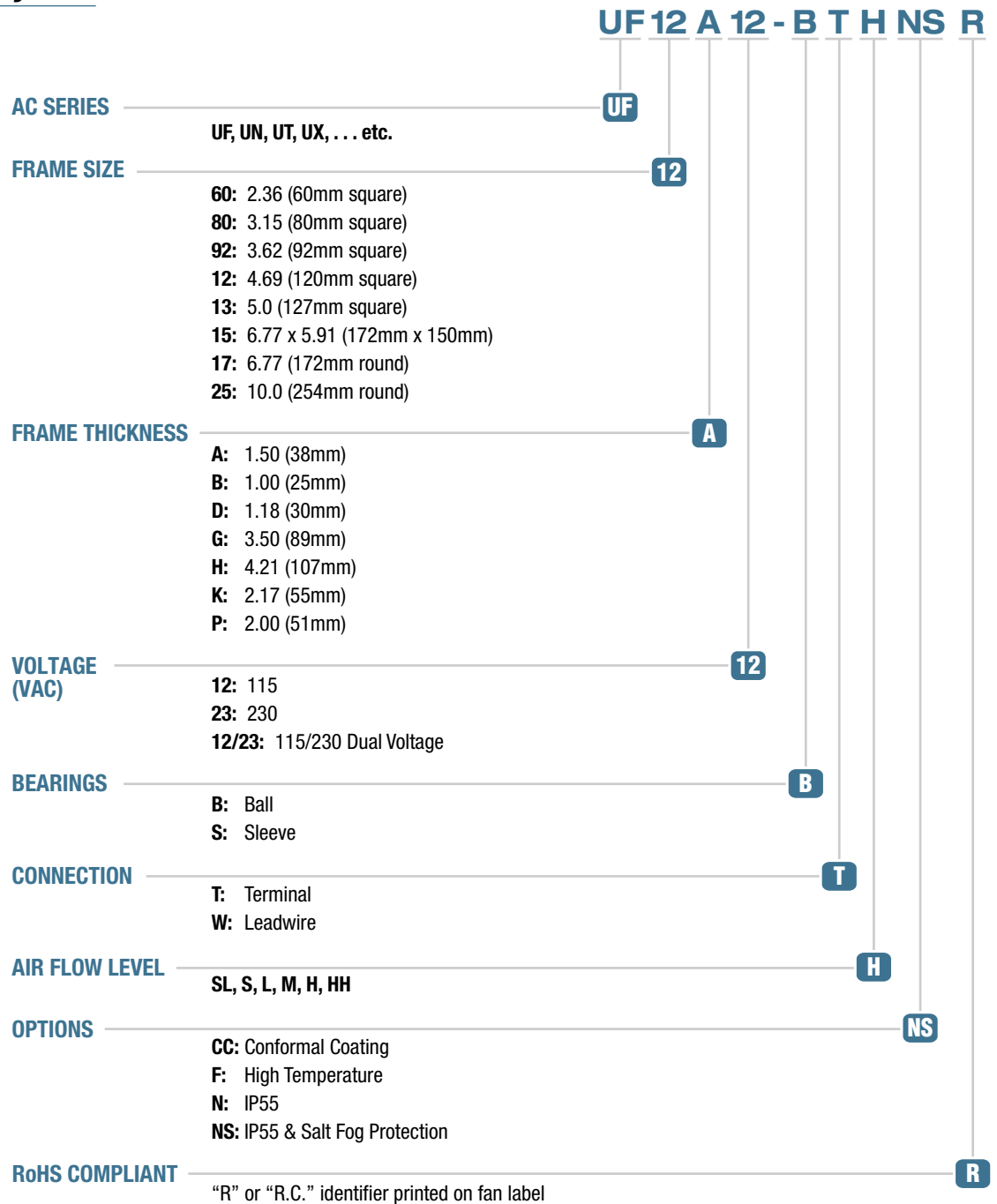
**Size: (80 x 80 x 38 mm)  
3.15 x 3.15 x 1.5 inches**

UF80A series AC tubeaxial fans provide exceptional performance and value. Precision die-cast aluminum frame acts as a heat sink. UL94V-0 components. Choose from motor quality ball bearings, or sintered bronze sleeve bearings. Immediately available in 115 or 230 VAC version; dual voltage option available. Shaded pole motor. Air exhausts over struts. Choice of terminal or leadwire style.



Model No.	Rated Voltage V	Frequency HZ	Input Power W	Rated Current A	Locked Current A	Speed RPM	Air Volume CFM	Maximum Pressure in H <sub>2</sub> O	Noise dBA	Weight OZ
UF80A12 - __ H	115	60	10	0.12	0.13	3000	29	0.22	36	10.0
UF80A23 - __ H	230	60	10	0.06	0.07	3000	29	0.22	36	10.0
UF80A12 - __ L	115	60	9	0.11	0.12	2400	25	0.16	32	10.0
UF80A23 - __ L	230	60	9	0.05	0.06	2400	25	0.16	32	10.0

# AC Part Numbering System



## GENERAL DATA

- Ball or sleeve bearing construction
- Aluminum die-cast frame
- UL 94V0 or metal impeller
- Terminal connector or leadwire
- Leadwires  
Two 22 AWG, Nom. 10.0 inches
- Impedance or thermal protection
- Dielectric strength  
AC 1500V (50/60 Hz) one min.
- Operating temperature range  
Ball Bearing -40°C ~ 70°C  
Sleeve Bearing -20°C ~ 70°C  
UF15P, UF17P -40°C ~ 60°C
- UL, C-UL, TUV, compliant,  
UL, C-UL File No. E137077  
TUV - R9854665  
R2054331  
R2054330
- Designed for continuous duty life of 50,000 hours (ball bearing)  
25,000 (sleeve bearing) at 25°C