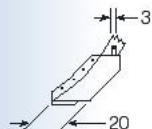
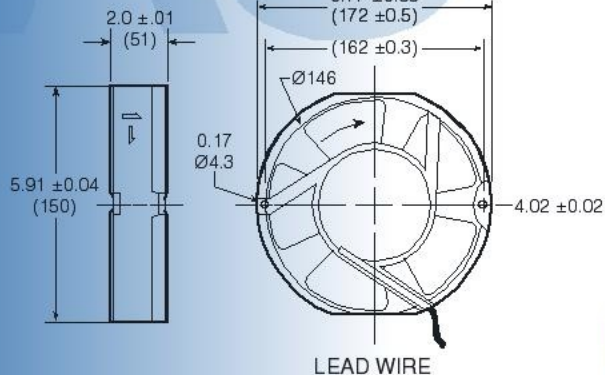


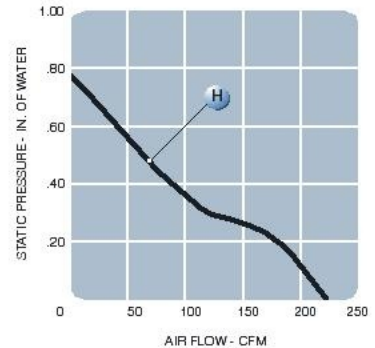
UF15PC Series



TERMINAL TYPE

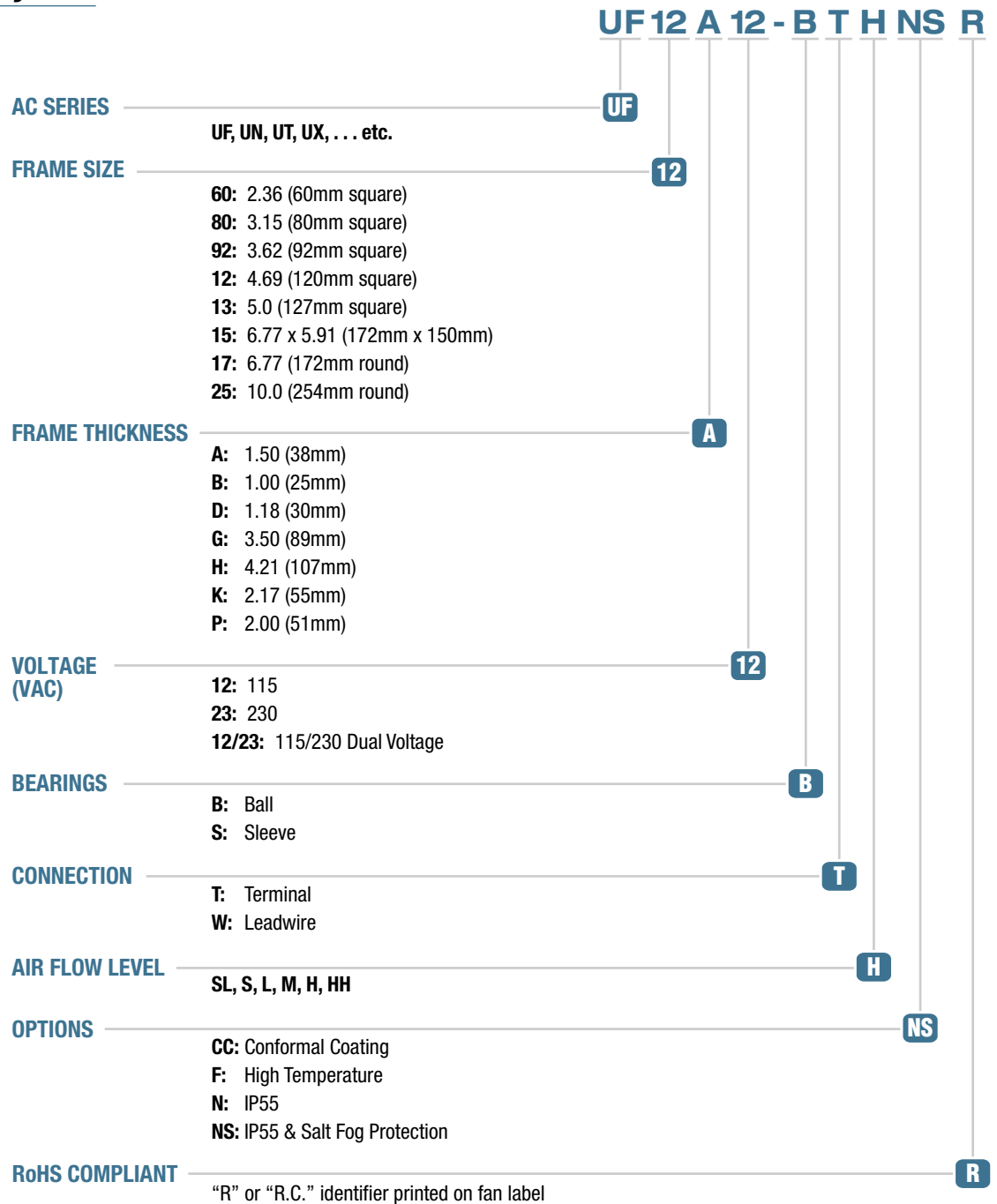
Size: (172 x 150 x 51 mm)
6.77 x 5.91 x 2.0 inches

UF15PC series features high-performance and exceptional quality at a very competitive price. Strong capacitor start motor generates 225 CFM. Thermal protected. Die cast aluminum frame acts as a heat sink. UL94V-0 components. Motor quality ball bearings. Choice of terminal or leadwire style.



Model No.	Rated Voltage V	Frequency HZ	Input Power W	Rated Current A	Locked Current A	Speed RPM	Air Volume CFM	Maximum Pressure in H ₂ O	Noise dBA	Weight OZ
UF15PC12 - _ _ H	115	60	30	0.25	0.41	3400	225	0.79	58	32
UF15PC23 - _ _ H	230	60	29	0.12	0.19	3400	225	0.79	58	32

AC Part Numbering System



GENERAL DATA

- Ball or sleeve bearing construction
- Aluminum die-cast frame
- UL 94V0 or metal impeller
- Terminal connector or leadwire
- Leadwires
Two 22 AWG, Nom. 10.0 inches
- Impedance or thermal protection
- Dielectric strength
AC 1500V (50/60 Hz) one min.
- Operating temperature range
Ball Bearing -40°C ~ 70°C
Sleeve Bearing -20°C ~ 70°C
UF15P, UF17P -40°C ~ 60°C
- UL, C-UL, TUV, compliant,
UL, C-UL File No. E137077
TUV - R9854665
R2054331
R2054330
- Designed for continuous duty life of 50,000 hours (ball bearing)
25,000 (sleeve bearing) at 25°C