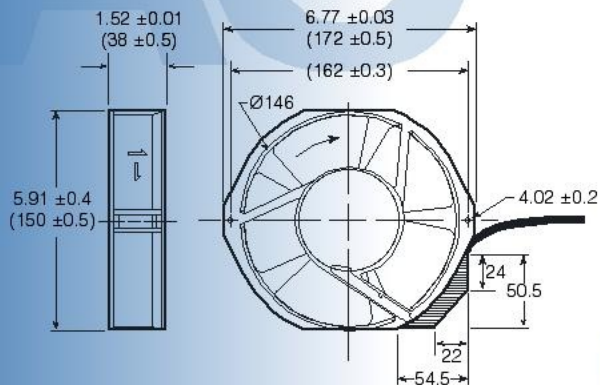
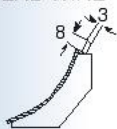


UF15AC Series



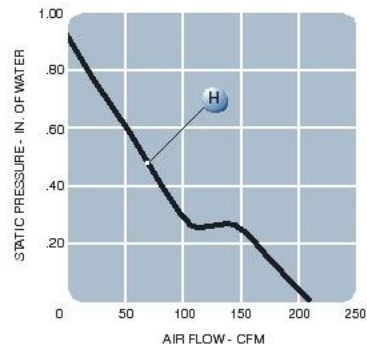
LEAD WIRE



TERMINAL TYPE

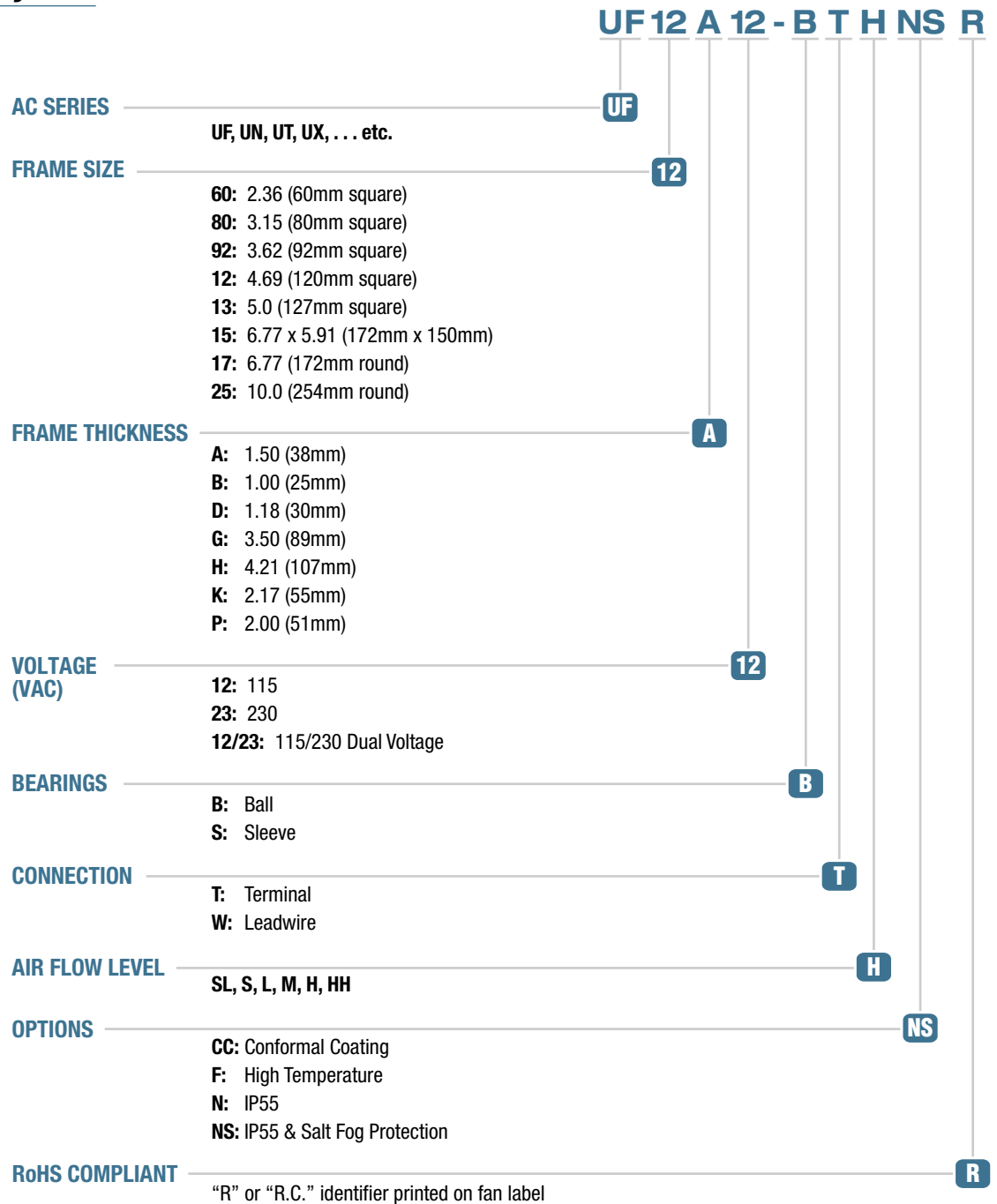
Size: (172 x 150 x 38 mm)
6.77 x 5.91 x 1.52 inches

UF15AC series offers high air flow with thin profile dimension. Strong capacitor start motor. Thermal protection. Die cast aluminum frame acts as a heat sink. UL94V-0 components. Motor quality ball bearings. Choice of terminal or leadwire style.



Model No.	Rated Voltage V	Frequency HZ	Input Power W	Rated Current A	Locked Current A	Speed RPM	Air Volume CFM	Maximum Pressure in H ₂ O	Noise dBA	Weight OZ
UF15AC12 - _ _ H	115	60	28	0.23	0.38	3400	212	0.87	58	25
UF15AC23 - _ _ H	230	60	26	0.11	0.18	3400	212	0.87	58	25

AC Part Numbering System



GENERAL DATA

- Ball or sleeve bearing construction
- Aluminum die-cast frame
- UL 94V0 or metal impeller
- Terminal connector or leadwire
- Leadwires
Two 22 AWG, Nom. 10.0 inches
- Impedance or thermal protection
- Dielectric strength
AC 1500V (50/60 Hz) one min.
- Operating temperature range
Ball Bearing -40°C ~ 70°C
Sleeve Bearing -20°C ~ 70°C
UF15P, UF17P -40°C ~ 60°C
- UL, C-UL, TUV, compliant,
UL, C-UL File No. E137077
TUV - R9854665
R2054331
R2054330
- Designed for continuous duty life of 50,000 hours (ball bearing)
25,000 (sleeve bearing) at 25°C