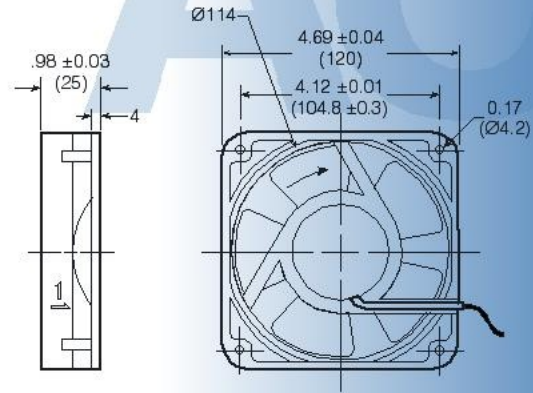
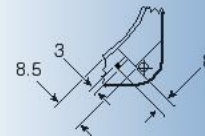


**Size: (120 x 120 x 25 mm)
4.69 x 4.69 x 0.98 inches**

UF12B series thin profile models are available in two speeds. Precision die-cast aluminum frame acts as a heat sink. UL94V-0 components. Choose from motor quality ball bearings, or sintered bronze sleeve bearings. Immediately available in 115 or 230 VAC version; dual voltage option available. Shaded pole motor. Air exhausts over struts. Choice of terminal or leadwire style.



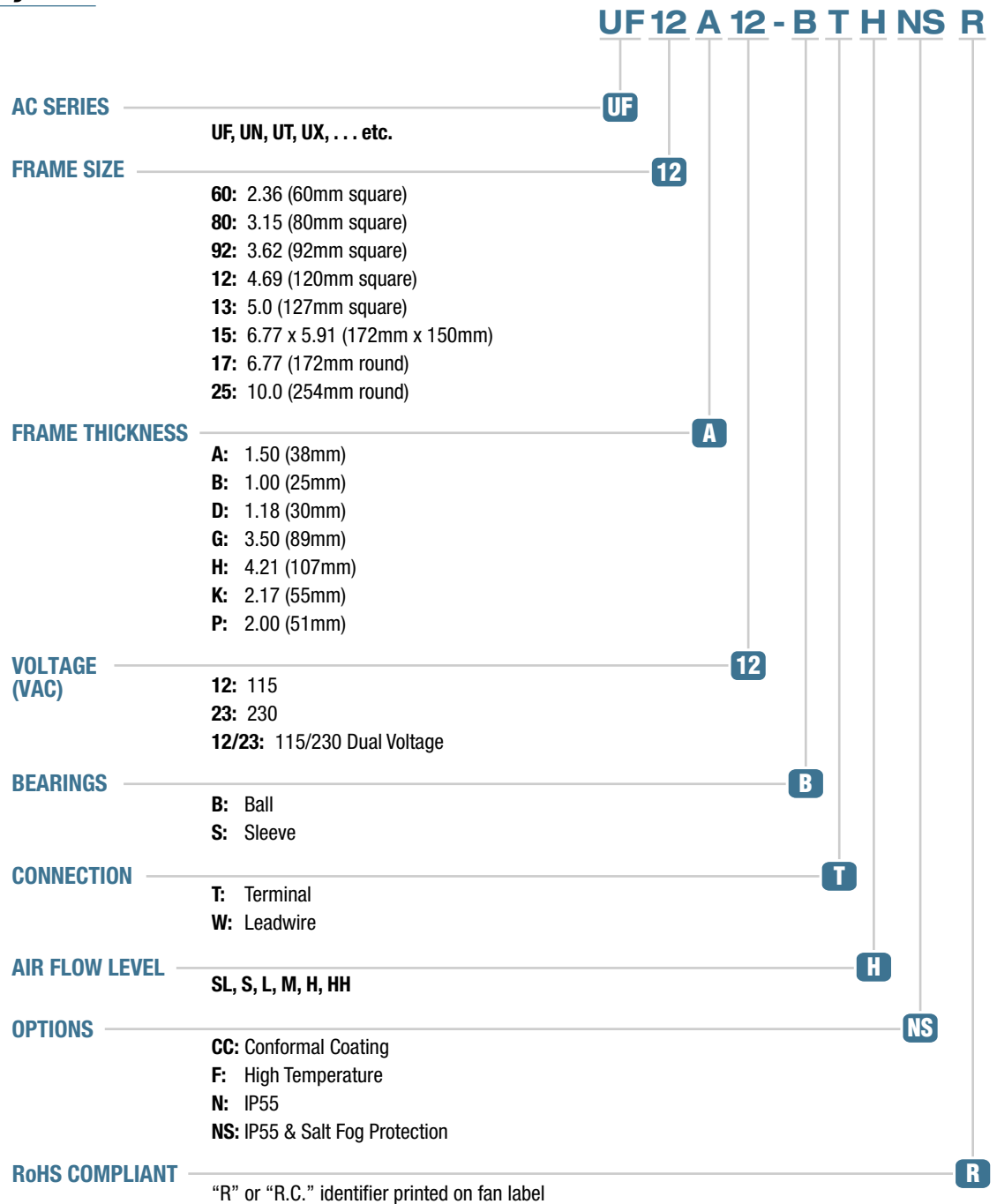
LEAD WIRE



TERMINAL TYPE

| Model No. | Rated Voltage V | Frequency HZ | Input Power W | Rated Current A | Locked Current A | Speed RPM | Air Volume CFM | Maximum Pressure in H ₂ O | Noise dBA | Weight OZ |
|---------------|-----------------|--------------|---------------|-----------------|------------------|-----------|----------------|--------------------------------------|-----------|-----------|
| UF12B12 - __H | 115 | 60 | 13 | 0.15 | 0.17 | 2700 | 74 | 0.22 | 42 | 11.6 |
| UF12B23 - __H | 230 | 60 | 13 | 0.07 | 0.08 | 2700 | 74 | 0.22 | 42 | 11.6 |
| UF12B12 - __L | 115 | 60 | 12 | 0.13 | 0.14 | 2000 | 53 | 0.12 | 33 | 11.6 |
| UF12B23 - __L | 230 | 60 | 12 | 0.06 | 0.07 | 2000 | 53 | 0.12 | 33 | 11.6 |

AC Part Numbering System



GENERAL DATA

- Ball or sleeve bearing construction
- Aluminum die-cast frame
- UL 94V0 or metal impeller
- Terminal connector or leadwire
- Leadwires
Two 22 AWG, Nom. 10.0 inches
- Impedance or thermal protection
- Dielectric strength
AC 1500V (50/60 Hz) one min.
- Operating temperature range
Ball Bearing -40°C ~ 70°C
Sleeve Bearing -20°C ~ 70°C
UF15P, UF17P -40°C ~ 60°C
- UL, C-UL, TUV, compliant,
UL, C-UL File No. E137077
TUV - R9854665
R2054331
R2054330
- Designed for continuous duty life of 50,000 hours (ball bearing)
25,000 (sleeve bearing) at 25°C