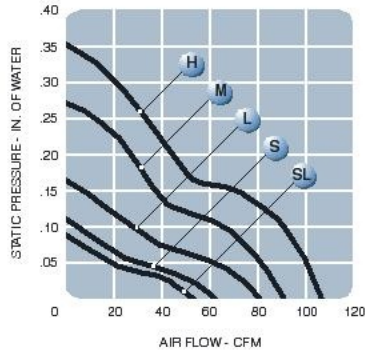
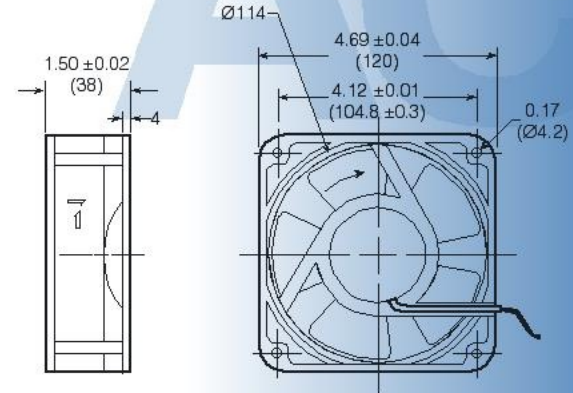


UF12A Series

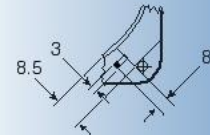


Size: (120 x 120 x 38 mm)
4.69 x 4.69 x 1.5 inches

UF12A series AC tubeaxial fans provide exceptional performance and value. Precision die-cast aluminum frame acts as a heat sink. UL94V-0 components. Choose from motor quality ball bearings, or sintered bronze sleeve bearings. Available in single (115 VAC or 230 VAC) and dual (115/230 VAC) models. Shaded pole motor. Air exhausts over struts. Choice of terminal or leadwire style. Also available with metal impeller.



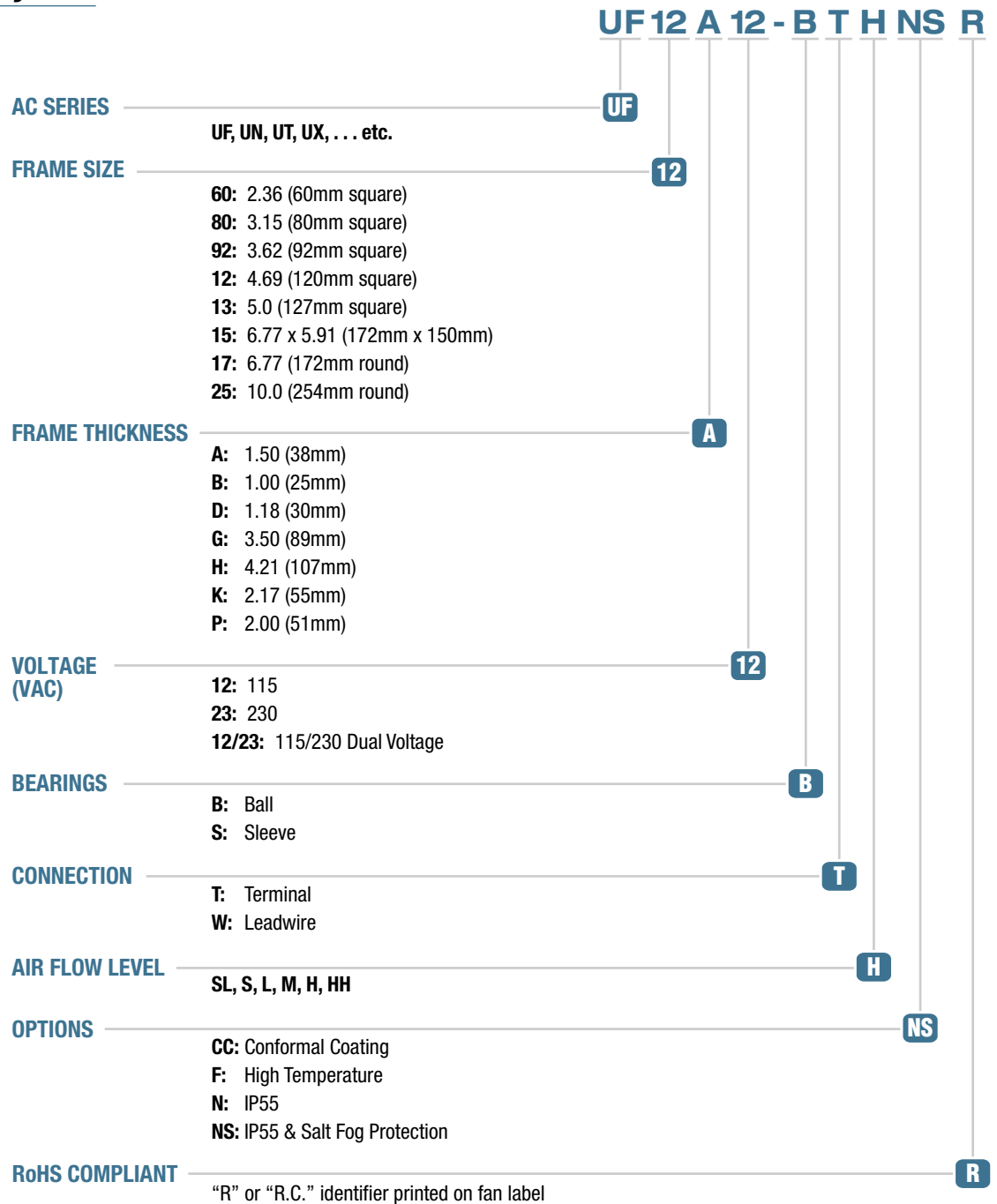
LEAD WIRE



TERMINAL TYPE

Model No.	Rated Voltage V	Frequency HZ	Input Power W	Rated Current A	Locked Current A	Speed RPM	Air Volume CFM	Maximum Pressure in H ₂ O	Noise dBA	Weight OZ
UF12A12 - __ H	115	60	15	0.19	0.20	3100	106	0.35	47	18.7
UF12A23 - __ H	230	60	15	0.09	0.10	3100	106	0.35	47	18.7
UF12A12 - __ M	115	60	14	0.17	0.19	2750	92	0.28	45	18.7
UF12A23 - __ M	230	60	14	0.08	0.09	2750	92	0.28	45	18.7
UF12A12 - __ L	115	60	12	0.15	0.16	2300	81	0.16	38	18.7
UF12A23 - __ L	230	60	12	0.07	0.08	2300	81	0.16	38	18.7
UF12A12 - __ S	115	60	8	0.08	0.09	2,100	64	0.11	37	18.7
UF12A23 - __ S	230	60	8	0.04	0.05	2,100	64	0.11	37	18.7
UF12A12 - __ SL	115	60	6	0.06	0.07	1,800	57	0.09	36	18.7
UF12A23 - __ SL	230	60	6	0.03	0.04	1,800	57	0.09	36	18.7

AC Part Numbering System



GENERAL DATA

- Ball or sleeve bearing construction
- Aluminum die-cast frame
- UL 94V0 or metal impeller
- Terminal connector or leadwire
- Leadwires
Two 22 AWG, Nom. 10.0 inches
- Impedance or thermal protection
- Dielectric strength
AC 1500V (50/60 Hz) one min.
- Operating temperature range
Ball Bearing -40°C ~ 70°C
Sleeve Bearing -20°C ~ 70°C
UF15P, UF17P -40°C ~ 60°C
- UL, C-UL, TUV, compliant,
UL, C-UL File No. E137077
TUV - R9854665
R2054331
R2054330
- Designed for continuous duty life of 50,000 hours (ball bearing)
25,000 (sleeve bearing) at 25°C